



Product Information & Specifications



Bristol Compressors International, LLC
15185 Industrial Park Road
Bristol, VA 24202
Phone: (276) 466-4121
Fax: (276) 645-2494
Revised: 10/31/2012

www.bristolcompressors.com

Table of Contents

| | |
|-------------------------------------|----|
| COMPRESSOR MODEL NUMBER SYSTEM..... | 5 |
| H20J..... | 6 |
| H21J..... | 10 |
| H22J..... | 14 |
| H82J..... | 18 |
| H71J..... | 26 |
| H22A..... | 28 |
| H23A, H29A..... | 30 |
| H73A..... | 34 |
| H79A..... | 36 |
| H2EB, H22B | 38 |
| H29B..... | 40 |
| H79B..... | 44 |
| H82B..... | 46 |
| H89B..... | 48 |
| H22G..... | 50 |
| H2NG..... | 54 |
| H75G..... | 58 |
| H7BG..... | 60 |
| H7NG..... | 62 |
| H2DA..... | 64 |
| H7DA..... | 66 |

H81J, H83B and V80J refer to Bristol Web site www.BristolCompressors.com

REFRIGERATION

| | |
|-----------------------------|----|
| Diagrams..... | 68 |
| L61J, L63A, L63B, L64A..... | 72 |
| M63A, M63B..... | 74 |
| R92J(R404A)..... | 76 |
| R92J(R407C)..... | 80 |

OBSOLETE MODELS

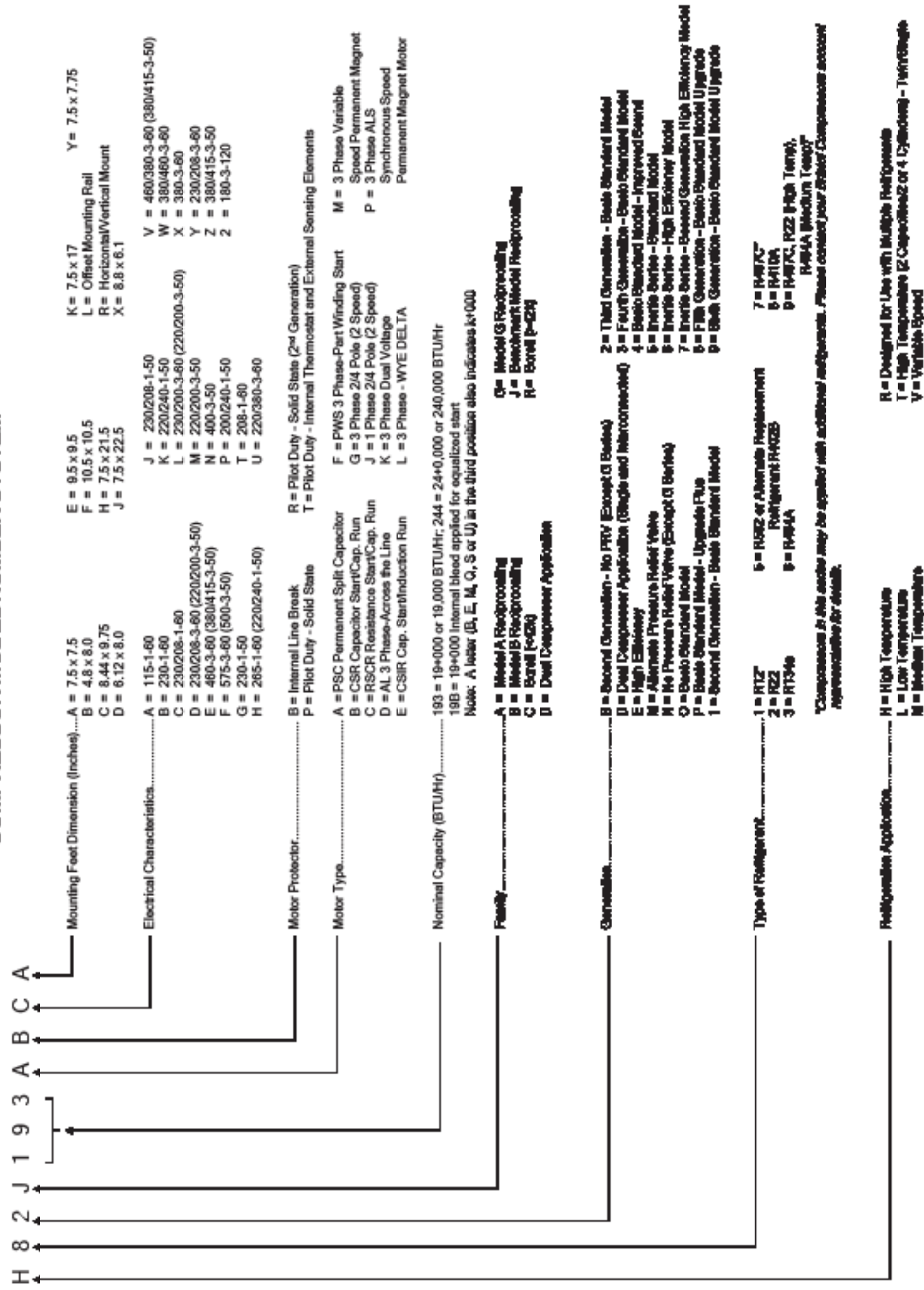
| | |
|--|----|
| Obsolete model number only refer to Bristol Compressors web site for technical data..... | 82 |
| KICKSTART Aftermarket Start Assist | 88 |



NOTE:

PLEASE REFER TO THIS COMPRESSOR MODEL NUMBER SYSTEM FOR CONVENIENT CROSS REFERENCE

COMPRESSOR MODEL NUMBER SYSTEM



H20J SERIES

| Model | Volts Phase Hz | @45/130 | | | | | @45/100 | | | | | Electrical Data | | | Displacement | |
|------------|----------------|----------|-------|-------------------|---------|--------|----------|-------------------|------|------|-----|-----------------|---------|---------|--------------|--|
| | | Capacity | | Motor Input WATTS | EER/COP | | Capacity | Motor Input WATTS | EER | RLA | LRA | MCC | IN3/REV | CM3/REV | | |
| | | BTU/H | WATTS | | BTU/WH | W/W | | | | | | | | | | |
| | | BTU/H | WATTS | BTU/WH | W/W | BTU/WH | W/W | | | | | | | | | |
| H20J153ABC | 208-230/1/60 | 15100 | 4424 | 1400 | 10.8 | 3.2 | 21300 | 1160 | 18.4 | 6.2 | 41 | 9.6 | 1.824 | 29.88 | | |
| H20J173ABC | 208-230/1/60 | 16900 | 4952 | 1570 | 10.7 | 3.1 | 23600 | 1290 | 18.3 | 7.1 | 44 | 12 | 2.040 | 33.42 | | |
| H20J193ABC | 208-230/1/60 | 18800 | 5508 | 1760 | 10.7 | 3.1 | 26500 | 1440 | 18.4 | 7.6 | 44 | 12.5 | 2.247 | 36.82 | | |
| H20J213ABC | 208-230/1/60 | 21100 | 6182 | 1950 | 10.8 | 3.2 | 28400 | 1550 | 18.3 | 8.8 | 55 | 15.6 | 2.463 | 40.35 | | |
| H20J223ABC | 208-230/1/60 | 22200 | 6505 | 2000 | 11.1 | 3.3 | 29900 | 1620 | 18.4 | 8.8 | 55 | 15.3 | 2.463 | 40.35 | | |
| H20J253ABC | 208-230/1/60 | 24200 | 7091 | 2190 | 11.1 | 3.3 | 32000 | 1720 | 18.6 | 9.8 | 60 | 17.3 | 2.708 | 44.37 | | |
| H20J273ABC | 208-230/1/60 | 26300 | 7705 | 2390 | 11.0 | 3.2 | 35630 | 1880 | 18.9 | 11 | 68 | 17.5 | 2.915 | 47.76 | | |
| H20J293ABC | 208-230/1/60 | 29200 | 8556 | 2620 | 11.1 | 3.3 | 38400 | 2080 | 18.5 | 11.5 | 68 | 17.5 | 3.129 | 51.27 | | |
| H20J293DBF | 575/3/60 | 29200 | 8556 | 2620 | 11.1 | 3.3 | 38400 | 2080 | 18.5 | 3.2 | 26 | 5.2 | 3.129 | 51.27 | | |
| H20J293DBL | 200-220/3/50 | 25000 | 7325 | 2270 | 11.0 | 3.2 | 32600 | 1800 | 18.2 | 8.6 | 71 | 12.5 | 3.129 | 51.27 | | |
| H20J293DBL | 200-230/3/60 | 29200 | 8556 | 2620 | 11.1 | 3.3 | 38400 | 2080 | 18.5 | 8.2 | 68 | 13 | 3.129 | 51.27 | | |
| H20J293DBV | 380-415/3/50 | 25000 | 7325 | 2270 | 11.0 | 3.2 | 32600 | 1800 | 18.2 | 4.2 | 32 | 6.6 | 3.129 | 51.27 | | |
| H20J293DBV | 380-460/3/60 | 29200 | 8556 | 2620 | 11.1 | 3.3 | 38400 | 2080 | 18.5 | 4 | 32 | 7 | 3.129 | 51.27 | | |
| H20J303ABC | 208-230/1/60 | 29700 | 8702 | 2610 | 11.4 | 3.3 | 38200 | 2060 | 18.6 | 12 | 74 | 21 | 3.056 | 50.07 | | |
| H20J313ABC | 208-230/1/60 | 30300 | 8878 | 2670 | 11.3 | 3.3 | 40300 | 2110 | 19.1 | 11.9 | 78 | 20 | 3.242 | 53.12 | | |
| H20J323ABC | 208-230/1/60 | 32100 | 9405 | 2800 | 11.5 | 3.4 | 42800 | 2240 | 19.1 | 12.7 | 78 | 22 | 3.380 | 55.38 | | |
| H20J323DBF | 575/3/60 | 32000 | 9376 | 2780 | 11.5 | 3.4 | 42400 | 2210 | 19.2 | 3.7 | 36 | 7 | 3.380 | 55.38 | | |
| H20J323DBL | 200-220/3/50 | 27400 | 8028 | 2440 | 11.3 | 3.3 | 35400 | 1880 | 18.8 | 8.8 | 76 | 14 | 3.380 | 55.38 | | |
| H20J323DBL | 200-230/3/60 | 32000 | 9376 | 2780 | 11.5 | 3.4 | 42400 | 2210 | 19.2 | 8.5 | 72 | 14 | 3.380 | 55.38 | | |
| H20J323DBV | 380-415/3/50 | 27400 | 8028 | 2440 | 11.3 | 3.3 | 35400 | 1880 | 18.8 | 4.7 | 45 | 9 | 3.380 | 55.38 | | |
| H20J323DBV | 380-460/3/60 | 32000 | 9376 | 2780 | 11.5 | 3.4 | 42400 | 2210 | 19.2 | 4.7 | 45 | 9 | 3.380 | 55.38 | | |
| H20J353ABC | 208-230/1/60 | 34500 | 10109 | 3000 | 11.5 | 3.4 | 45100 | 2360 | 19.1 | 13.1 | 78 | 21 | 3.607 | 59.10 | | |
| H20J353DBF | 575/3/60 | 34500 | 10109 | 3000 | 11.5 | 3.4 | 45100 | 2360 | 19.1 | 3.9 | 36 | 6.1 | 3.607 | 59.10 | | |
| H20J353DBL | 200-220/3/50 | 29900 | 8761 | 2600 | 11.5 | 3.4 | 39000 | 2050 | 19.1 | 9.2 | 76 | 13.4 | 3.870 | 63.41 | | |
| H20J353DBL | 200-230/3/60 | 34500 | 10109 | 3000 | 11.5 | 3.4 | 45100 | 2360 | 19.1 | 9.2 | 72 | 13.6 | 3.870 | 63.41 | | |
| H20J353DBV | 380-415/3/50 | 29200 | 8556 | 2550 | 11.5 | 3.4 | 38100 | 2010 | 19.0 | 5 | 47 | 8 | 3.607 | 59.10 | | |
| H20J353DBV | 380-460/3/60 | 34500 | 10109 | 3000 | 11.5 | 3.4 | 45100 | 2360 | 19.0 | 5 | 45 | 7.7 | 3.607 | 59.10 | | |
| H20J383ABC | 208-230/1/60 | 37800 | 11075 | 3370 | 11.2 | 3.3 | 48900 | 2570 | 19.0 | 14.9 | 86 | 24 | 4.021 | 65.88 | | |
| H20J383DBF | 575/3/60 | 37500 | 10988 | 3300 | 11.4 | 3.3 | 48800 | 2590 | 18.9 | 4 | 36 | 8 | 3.870 | 63.41 | | |
| H20J383DBL | 200-220/3/50 | 31900 | 9347 | 2860 | 11.1 | 3.3 | 41200 | 2220 | 18.6 | 11.1 | 90 | 17 | 3.870 | 63.41 | | |
| H20J383DBL | 200-230/3/60 | 37500 | 10988 | 3300 | 11.4 | 3.3 | 48800 | 2590 | 18.9 | 10.2 | 88 | 18 | 3.870 | 63.41 | | |
| H20J383DBV | 380-415/3/50 | 31900 | 9347 | 2860 | 11.1 | 3.3 | 41200 | 2220 | 18.6 | 5.2 | 42 | 9 | 3.870 | 63.41 | | |
| H20J383DBV | 380-460/3/60 | 37500 | 10988 | 3300 | 11.4 | 3.3 | 48800 | 2590 | 18.9 | 5 | 42 | 9 | 3.870 | 63.41 | | |
| H20J403ABC | 208-230/1/60 | 40900 | 11984 | 3620 | 11.3 | 3.3 | 52800 | 2860 | 18.4 | 17.1 | 102 | 28 | 4.147 | 67.95 | | |
| H20J403DBE | 380-415/3/50 | 34900 | 10226 | 3120 | 11.2 | 3.3 | 44300 | 2400 | 18.5 | 5.6 | 42 | 9 | 4.147 | 67.95 | | |
| H20J403DBE | 460/3/60 | 40400 | 11837 | 3490 | 11.6 | 3.4 | 52300 | 2760 | 18.9 | 5.4 | 42 | 9 | 4.147 | 67.95 | | |
| H20J403DBF | 575/3/60 | 40400 | 11837 | 3490 | 11.6 | 3.4 | 52300 | 2760 | 18.9 | 4.3 | 36 | 8 | 4.147 | 67.95 | | |
| H20J403DBL | 200-220/3/50 | 34900 | 10226 | 3120 | 11.2 | 3.3 | 44300 | 2400 | 18.5 | 11.6 | 90 | 19 | 4.147 | 67.95 | | |
| H20J403DBL | 200-230/3/60 | 40500 | 11867 | 3530 | 11.5 | 3.4 | 52500 | 2790 | 18.8 | 11 | 88 | 20 | 4.147 | 67.95 | | |
| H20J423ABC | 208-230/1/60 | 42100 | 12335 | 3740 | 11.3 | 3.3 | 53600 | 2910 | 18.4 | 17 | 102 | 27 | 4.235 | 69.39 | | |
| H20J423DBD | 200-220/3/50 | 35200 | 10314 | 3150 | 11.2 | 3.3 | 45400 | 2430 | 18.7 | 11.7 | 90 | 18 | 4.235 | 69.39 | | |
| H20J423DBD | 208-230/3/60 | 41600 | 12189 | 3680 | 11.3 | 3.3 | 53900 | 2890 | 18.7 | 11.2 | 88 | 18 | 4.235 | 69.39 | | |

Data Subject to Revision

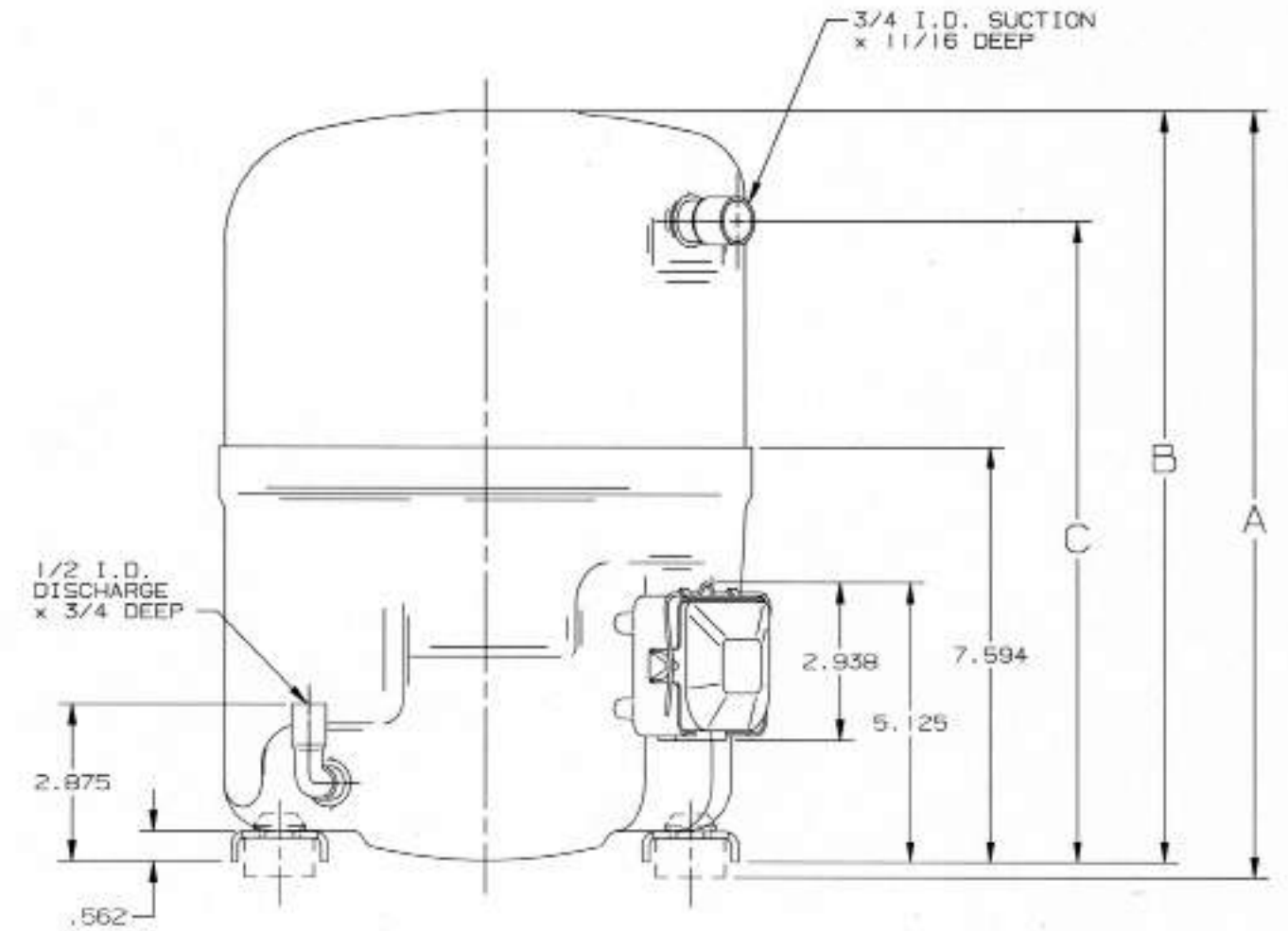
| Model | Oil Charge | L | Weight Net Ship | | | | ELECTRICAL START COMPONENTS | | | DIMENSIONS | | | | | | |
|------------|------------|-----|-----------------|-----------|-------|------|-----------------------------|---------------|-----------------|------------|--------|-------|--------|-------|----------|----|
| | | | OZ | Lbs | Kg | Lbs | Kg | Run Capacitor | Start Capacitor | G.E. | A | | B | | C | |
| | | | | | | | | | | | IN | MM | IN | MM | IN | MM |
| | | | MFD/VOLTS | MFD/VOLTS | Relay | IN | MM | IN | MM | | | | | | | |
| H20J153ABC | 35 | 1.0 | 59.0 | 26.8 | 62.0 | 28.1 | 30/370 | 145-175/250 | GE 3ARR3*3V | 11.24 | 285.50 | 13.25 | 336.55 | 13.53 | 343.66 | |
| H20J173ABC | 35 | 1.0 | 58.5 | 26.5 | 62.0 | 28.1 | 30/370 | 145-175/250 | () | 11.24 | 285.50 | 13.25 | 336.55 | 13.53 | 343.66 | |
| H20J193ABC | 35 | 1.0 | 58.5 | 26.5 | 62.0 | 28.1 | 35/370 | 145-175/250 | () | 11.24 | 285.50 | 13.25 | 336.55 | 13.53 | 343.66 | |
| H20J213ABC | 35 | 1.0 | 60.5 | 27.4 | 64.0 | 29.0 | 30/370 | 145-175/250 | GE 3ARR3*3U | 11.24 | 285.50 | 13.25 | 336.55 | 13.53 | 343.66 | |
| H20J223ABC | 35 | 1.0 | 65.5 | 29.7 | 69.0 | 31.3 | 35/370 | 145-175/250 | GE 3ARR3*3S* | 11.24 | 285.50 | 13.25 | 336.55 | 13.53 | 343.66 | |
| H20J253ABC | 30 | 0.9 | 59.0 | 26.8 | 62.5 | 28.3 | 35/370 | 145-175/330 | 3ARR3*3N* | 11.73 | 297.94 | 13.75 | 349.25 | 14.03 | 356.36 | |
| H20J273ABC | 40 | 1.1 | 74.0 | 33.6 | 77.0 | 34.9 | 30/440 | 189-227/250 | 3ARR3*10U* | 13.20 | 335.28 | 14.75 | 375.92 | 15.03 | 381.76 | |
| H20J293ABC | 40 | 1.1 | 74.0 | 33.6 | 77.0 | 34.9 | 35/440 | 189-227/250 | 3ARR3*10U* | 14.42 | 366.32 | 14.75 | 374.65 | 15.03 | 381.76 | |
| H20J293DBF | 40 | 1.1 | 68.5 | 31.1 | 71.5 | 32.4 | N/A | N/A | N/A | 13.22 | 335.76 | 14.75 | 374.65 | 15.03 | 381.76 | |
| H20J293DBL | 40 | 1.1 | 68.5 | 31.1 | 71.5 | 32.4 | N/A | N/A | N/A | 13.22 | 335.76 | 14.75 | 374.65 | 15.03 | 381.76 | |
| H20J293DBL | 40 | 1.1 | 68.5 | 31.1 | 71.5 | 32.4 | N/A | N/A | N/A | 13.22 | 335.76 | 14.75 | 374.65 | 15.03 | 381.76 | |
| H20J293DBV | 40 | 1.1 | 68.5 | 31.1 | 71.5 | 32.4 | N/A | N/A | N/A | 13.22 | 335.76 | 14.75 | 374.65 | 15.03 | 381.76 | |
| H20J293DBV | 40 | 1.1 | 68.5 | 31.1 | 71.5 | 32.4 | N/A | N/A | N/A | 13.22 | 335.76 | 14.75 | 374.65 | 15.03 | 381.76 | |
| H20J303ABC | 35 | 1.0 | 67.0 | 30.4 | 70.5 | 32.0 | 40/370 | 189-227/250 | 3ARR3*3L* | 12.24 | 310.90 | 14.25 | 361.95 | 14.53 | 369.06 | |
| H20J313ABC | 40 | 1.1 | 79.0 | 35.8 | 82.0 | 37.2 | 40/370 | 189-227/330 | 3ARR3*3S* | 14.92 | 378.97 | 15.25 | 387.35 | 15.53 | 394.46 | |
| H20J323ABC | 40 | 1.1 | 79.0 | 35.8 | 82.0 | 37.2 | 40/370 | 189-227/330 | 3ARR3*3S* | 14.92 | 378.97 | 15.25 | 387.35 | 15.53 | 394.46 | |
| H20J323DBF | 40 | 1.1 | 75.0 | 34.0 | 78.0 | 35.4 | N/A | N/A | N/A | 13.72 | 348.46 | 15.25 | 387.35 | 15.53 | 394.46 | |
| H20J323DBL | 40 | 1.1 | 75.0 | 34.0 | 78.0 | 35.4 | N/A | N/A | N/A | 13.72 | 348.49 | 15.25 | 387.35 | 15.53 | 394.46 | |
| H20J323DBL | 40 | 1.1 | 75.0 | 34.0 | 78.0 | 35.4 | N/A | N/A | N/A | 13.72 | 348.49 | 15.25 | 387.35 | 15.53 | 394.46 | |
| H20J323DBV | 40 | 1.1 | 75.0 | 34.0 | 78.0 | 35.4 | N/A | N/A | N/A | 13.72 | 348.49 | 15.25 | 387.35 | 15.53 | 394.46 | |
| H20J323DBV | 40 | 1.1 | 75.0 | 34.0 | 78.0 | 35.4 | N/A | N/A | N/A | 13.72 | 348.49 | 15.25 | 387.35 | 15.53 | 394.46 | |
| H20J353ABC | 40 | 1.1 | 79.0 | 35.8 | 82.0 | 37.2 | 45/370 | 189-227/330 | GE 3ARR3*3S* | 14.92 | 378.97 | 15.25 | 387.35 | 15.53 | 394.46 | |
| H20J353DBF | 40 | 1.1 | 75.0 | 34.0 | 78.0 | 35.4 | N/A | N/A | N/A | 13.72 | 348.49 | 15.25 | 387.35 | 15.53 | 394.46 | |
| H20J353DBL | 40 | 1.1 | 72.5 | 32.9 | 75.5 | 34.2 | N/A | N/A | N/A | 13.72 | 348.49 | 15.25 | 387.35 | 15.53 | 394.46 | |
| H20J353DBL | 40 | 1.1 | 72.5 | 32.9 | 75.5 | 34.2 | N/A | N/A | N/A | 13.72 | 348.49 | 15.25 | 387.35 | 15.53 | 394.46 | |
| H20J353DBV | 40 | 1.1 | 72.5 | 32.9 | 75.5 | 34.2 | N/A | N/A | N/A | 13.72 | 348.49 | 15.25 | 387.35 | 15.53 | 394.46 | |
| H20J353DBV | 40 | 1.1 | 72.5 | 32.9 | 75.5 | 34.2 | N/A | N/A | N/A | 13.72 | 348.49 | 15.25 | 387.35 | 15.53 | 394.46 | |
| H20J383ABC | 40 | 1.1 | 81.0 | 36.7 | 84.0 | 38.1 | 45/370 | 189-227/250 | 3ARR3*3S* | 15.17 | 385.32 | 15.50 | 393.70 | 15.78 | 400.81 | |
| H20J383DBF | 40 | 1.1 | 77.0 | 34.9 | 80.0 | 36.3 | N/A | N/A | N/A | 13.97 | 354.84 | 15.50 | 393.70 | 15.78 | 400.81 | |
| H20J383DBL | 40 | 1.1 | 77.0 | 34.9 | 80.0 | 36.3 | N/A | N/A | N/A | 13.97 | 354.84 | 15.50 | 393.70 | 15.78 | 400.81 | |
| H20J383DBL | 40 | 1.1 | 77.0 | 34.9 | 80.0 | 36.3 | N/A | N/A | N/A | 13.97 | 354.84 | 15.50 | 393.70 | 15.78 | 400.81 | |
| H20J383DBV | 40 | 1.1 | 77.0 | 34.9 | 80.0 | 36.3 | N/A | N/A | N/A | 13.97 | 354.84 | 15.50 | 393.70 | 15.78 | 400.81 | |
| H20J383DBV | 40 | 1.1 | 77.0 | 34.9 | 80.0 | 36.3 | N/A | N/A | N/A | 13.97 | 354.84 | 15.50 | 393.70 | 15.78 | 400.81</ | |

H20J SERIES

| Model | Volts Phase Hz | @45/130 | | | @45/100 | | | Electrical Data | | | Displacement | | | |
|--------------------------|----------------|----------|-------|-------------------|---------|-----|----------|-------------------|------|------|--------------|-----|---------|---------|
| | | Capacity | | Motor Input WATTS | EER/COP | | Capacity | Motor Input WATTS | EER | RLA | LRA | MCC | IN3/REV | CM3/REV |
| | | BTU/H | WATTS | | BTU/WH | W/W | | | | | | | | |
| H20J SERIES (R22) | | | | | | | | | | | | | | |
| H20J423DBE | 380-415/3/50 | 35200 | 10314 | 3150 | 11.2 | 3.3 | 45400 | 2430 | 18.7 | 5.6 | 42 | 9 | 4.235 | 69.39 |
| H20J423DBE | 460/3/60 | 41600 | 12189 | 3680 | 11.3 | 3.3 | 53900 | 2890 | 18.7 | 5.5 | 42 | 10 | 4.235 | 69.39 |
| H20J423DBF | 575/3/60 | 41600 | 12189 | 3680 | 11.3 | 3.3 | 53900 | 2890 | 18.7 | 4.4 | 36 | 8 | 4.235 | 69.39 |
| H20J433ABC | 208-230/1/60 | 42800 | 12540 | 3840 | 11.2 | 3.3 | 54500 | 2980 | 18.3 | 17.5 | 102 | 27 | 4.310 | 70.62 |
| H20J443ABC | 208-230/1/60 | 44300 | 12980 | 3960 | 11.2 | 3.3 | 56400 | 3070 | 18.3 | 17.8 | 102 | 28 | 4.417 | 72.37 |
| H20J443DBD | 200-220/3/50 | 37700 | 11046 | 3370 | 11.2 | 3.3 | 48600 | 2580 | 18.8 | 12 | 90 | 18 | 4.417 | 72.37 |
| H20J443DBD | 208-230/3/60 | 44100 | 12921 | 3880 | 11.4 | 3.3 | 57100 | 3020 | 18.9 | 11.7 | 88 | 18 | 4.417 | 72.37 |
| H20J443DBE | 380-415/3/50 | 37700 | 11046 | 3370 | 11.2 | 3.3 | 48600 | 2580 | 18.8 | 6 | 42 | 9 | 4.417 | 72.37 |
| H20J443DBE | 460/3/60 | 44100 | 12921 | 3880 | 11.4 | 3.3 | 57100 | 3020 | 18.9 | 5.8 | 42 | 10 | 4.417 | 72.37 |
| H20J443DBF | 575/3/60 | 44100 | 12921 | 3880 | 11.4 | 3.3 | 57100 | 3020 | 18.9 | 4.6 | 36 | 8 | 4.417 | 72.37 |

Data Subject to Revision

| Model | Oil Charge | | Weight | | | | ELECTRICAL START COMPONENTS | | | DIMENSIONS | | | | | |
|------------|------------|-----|--------|------|------|------|-----------------------------|-----------------|--------------|------------|-----------|-------|--------|-------|--------|
| | OZ | L | Net | | Ship | | Run Capacitor | Start Capacitor | G.E. | A | | B | | C | |
| | | | Lbs | Kg | Lbs | Kg | | | | MFD/VOLTS | MFD/VOLTS | Relay | IN | MM | IN |
| H20J423DBE | 40 | 1.1 | 77.0 | 34.9 | 80.0 | 36.3 | N/A | N/A | N/A | 13.97 | 354.84 | 15.50 | 393.70 | 15.78 | 400.81 |
| H20J423DBE | 40 | 1.1 | 77.0 | 34.9 | 80.0 | 36.3 | N/A | N/A | N/A | 13.97 | 354.84 | 15.50 | 393.70 | 15.78 | 400.81 |
| H20J423DBF | 40 | 1.1 | 77.0 | 34.9 | 80.0 | 36.3 | N/A | N/A | N/A | 13.97 | 354.84 | 15.50 | 393.70 | 15.78 | 400.81 |
| H20J433ABC | 40 | 1.1 | 81.0 | 36.7 | 84.0 | 38.1 | 65/370 | 216-259/330 | 3ARR3*3S* | 15.17 | 385.32 | 15.50 | 393.70 | 15.78 | 400.81 |
| H20J443ABC | 40 | 1.1 | 81.0 | 36.7 | 84.0 | 38.1 | 65/370 | 216-259/330 | GE 3ARR3*3S* | 13.97 | 354.84 | 15.50 | 393.70 | 15.78 | 400.81 |
| H20J443DBD | 40 | 1.1 | 77.0 | 34.9 | 80.0 | 36.3 | N/A | N/A | N/A | 13.97 | 354.84 | 15.50 | 393.70 | 15.78 | 400.81 |
| H20J443DBD | 40 | 1.1 | 77.0 | 34.9 | 80.0 | 36.3 | N/A | N/A | N/A | 13.97 | 354.84 | 15.50 | 393.70 | 15.78 | 400.81 |
| H20J443DBE | 40 | 1.1 | 77.0 | 34.9 | 80.0 | 36.3 | N/A | N/A | N/A | 13.97 | 354.84 | 15.50 | 393.70 | 15.78 | 400.81 |
| H20J443DBE | 40 | 1.1 | 77.0 | 34.9 | 80.0 | 36.3 | N/A | N/A | N/A | 13.97 | 354.84 | 15.50 | 393.70 | 15.78 | 400.81 |
| H20J443DBF | 40 | 1.1 | 77.0 | 34.9 | 80.0 | 36.3 | N/A | N/A | N/A | 13.97 | 354.84 | 15.50 | 393.70 | 15.78 | 400.81 |



H20J

H21J SERIES

| Model | Volts Phase Hz | @45/130 | | | | | @45/100 | | | | | Electrical Data | | | Displacement | |
|-------|----------------|----------|-------|-------------------|---------|-----|----------|-------------------|-----|-----|-----|-----------------|---------|---------|--------------|--|
| | | Capacity | | Motor Input WATTS | EER/COP | | Capacity | Motor Input WATTS | EER | RLA | LRA | MCC | IN3/REV | CM3/REV | | |
| | | BTU/H | WATTS | | BTU/WH | W/W | | | | | | | | | BTU/H | |

H21J SERIES (R22)

| | | | | | | | | | | | | | | |
|------------|--------------|-------|-------|------|------|-----|-------|------|------|------|------|------|-------|-------|
| H21J14*ABC | 208-230/1/60 | 13600 | 3984 | 1280 | 10.6 | 3.1 | 19300 | 1060 | 18.2 | 5.4 | 36 | 10 | 1.683 | 27.57 |
| H21J15*ABC | 208-230/1/60 | 14500 | 4248 | 1380 | 10.5 | 3.1 | 20700 | 1140 | 18.1 | 6 | 36 | 10.5 | 1.790 | 29.27 |
| H21J17*ABC | 208-230/1/60 | 18300 | 5362 | 1660 | 11.1 | 3.3 | 24700 | 1330 | 18.7 | 7 | 40.5 | 12.5 | 2.116 | 34.67 |
| H21J19*ABC | 208-230/1/60 | 19500 | 5714 | 1730 | 11.3 | 3.3 | 25800 | 1360 | 18.9 | 8 | 54 | 15.5 | 2.172 | 35.59 |
| H21J20*ABC | 208-230/1/60 | 20200 | 5918 | 1850 | 10.9 | 3.2 | 27300 | 1460 | 18.7 | 8 | 54 | 16 | 2.224 | 36.44 |
| H21J22*ABC | 208-230/1/60 | 22400 | 6563 | 2000 | 11.2 | 3.3 | 29700 | 1560 | 19.0 | 9.9 | 61 | 16 | 2.539 | 41.60 |
| H21J24*ABC | 208-230/1/60 | 24000 | 7041 | 2180 | 11.0 | 3.2 | 32500 | 1700 | 19.1 | 10.1 | 61 | 16.5 | 2.664 | 43.65 |
| H21J25*ABC | 208-230/1/60 | 24600 | 7202 | 2220 | 11.1 | 3.3 | 33400 | 1760 | 19.0 | 10.7 | 61 | 17 | 2.770 | 45.32 |
| H21J253DBL | 200-230/3/60 | 25400 | 7442 | 2280 | 11.1 | 3.3 | 33900 | 1820 | 18.7 | 6.8 | 63 | 12.3 | 2.770 | 45.32 |
| H21J253DBL | 200-220/3/50 | 21400 | 6270 | 1930 | 11.1 | 3.3 | 28700 | 1530 | 18.7 | 7.5 | 64 | 12.2 | 2.770 | 45.32 |
| H21J253DBV | 380-460/3/60 | 25400 | 7442 | 2280 | 11.1 | 3.3 | 33900 | 1820 | 18.7 | 3.5 | 30 | 6.1 | 2.770 | 45.32 |
| H21J253DBV | 380-415/3/50 | 21400 | 6270 | 1930 | 11.1 | 3.3 | 28700 | 1530 | 18.7 | 3.5 | 30 | 6.1 | 2.770 | 45.32 |
| H21J27*ABC | 208-230/1/60 | 27000 | 7911 | 2420 | 11.5 | 3.4 | 36440 | 1900 | 19.1 | 11.1 | 78 | 19.5 | 2.915 | 47.76 |
| H21J273DBL | 200-230/3/60 | 27600 | 8087 | 2420 | 11.4 | 3.3 | 36300 | 1910 | 19.0 | 7.4 | 63 | 12.5 | 2.915 | 47.76 |
| H21J273DBV | 380-460/3/60 | 27700 | 8116 | 2440 | 11.3 | 3.3 | 36400 | 1910 | 19.0 | 3.6 | 30 | 7 | 2.915 | 47.76 |
| H21J29*ABC | 208-230/1/60 | 29100 | 8526 | 2520 | 11.5 | 3.4 | 38100 | 1980 | 19.2 | 11.6 | 78 | 20.7 | 3.028 | 49.61 |
| H21J30*ABC | 208-230/1/60 | 29720 | 8708 | 2600 | 11.4 | 3.3 | 39500 | 2050 | 19.2 | 11.8 | 78 | 21 | 3.129 | 51.27 |
| H21J303DBF | 575/3/60 | 29700 | 8702 | 2620 | 11.4 | 3.3 | 39600 | 2060 | 19.2 | 3.7 | 36 | 6.6 | 3.129 | 51.27 |
| H21J303DBL | 200-230/3/60 | 29700 | 8702 | 2600 | 11.4 | 3.3 | 33950 | 2050 | 19.2 | 8 | 72 | 16 | 3.129 | 51.27 |
| H21J303DBL | 200-220/3/50 | 25300 | 7413 | 2270 | 11.1 | 3.3 | 33100 | 1760 | 18.8 | 8.8 | 76 | 14 | 3.129 | 51.27 |
| H21J303DBV | 380-415/3/50 | 25300 | 7413 | 2270 | 11.1 | 3.3 | 33100 | 1760 | 18.8 | 5.2 | 45 | 9 | 3.129 | 51.27 |
| H21J303DBV | 380-460/3/60 | 29700 | 8702 | 2600 | 11.4 | 3.3 | 39500 | 2050 | 19.2 | 4.5 | 45 | 7.7 | 3.129 | 51.27 |
| H21J32*ABC | 208-230/1/60 | 30900 | 9053 | 2720 | 11.4 | 3.3 | 41200 | 2120 | 19.4 | 12.3 | 78 | 21 | 3.242 | 53.12 |
| H21J323DBL | 200-230/3/60 | 30900 | 9053 | 2660 | 11.6 | 3.4 | 40900 | 2100 | 19.5 | 8.3 | 72 | 16.2 | 3.242 | 53.12 |
| H21J323DBL | 200-220/3/50 | 26700 | 7823 | 2310 | 11.5 | 3.4 | 34100 | 1750 | 19.5 | 8.6 | 76 | 15 | 3.242 | 53.12 |
| H21J323DBV | 380-460/3/60 | 30900 | 9053 | 2660 | 11.6 | 3.4 | 40900 | 2100 | 19.5 | 4.6 | 45 | 9 | 3.242 | 53.12 |
| H21J323DBV | 380-415/3/50 | 26700 | 7823 | 2310 | 11.5 | 3.4 | 34100 | 1750 | 19.5 | 4.7 | 45 | 8 | 3.242 | 53.12 |
| H21J34*ABC | 208-230/1/60 | 34170 | 10011 | 2980 | 11.5 | 3.4 | 44640 | 2340 | 19.1 | 13.2 | 78 | 23 | 3.531 | 57.85 |
| H21J343DBL | 200-220/3/50 | 29200 | 8556 | 2600 | 11.2 | 3.3 | 37600 | 1990 | 18.9 | 9 | 76 | 15 | 3.531 | 57.85 |
| H21J343DBL | 200-230/3/60 | 34100 | 9991 | 2980 | 11.5 | 3.4 | 44400 | 2320 | 19.1 | 8.9 | 72 | 15 | 3.531 | 57.85 |
| H21J343DBV | 380-415-3-50 | 29200 | 8556 | 2600 | 11.2 | 3.3 | 37600 | 1990 | 18.9 | 5.2 | 45 | 8.4 | 3.531 | 57.85 |
| H21J343DBV | 380-460/3/60 | 34100 | 9991 | 2980 | 11.5 | 3.4 | 44400 | 2320 | 19.1 | 5 | 45 | 8 | 3.531 | 57.85 |
| H21J36*ABC | 208-230/1/60 | 35950 | 10533 | 3150 | 11.4 | 3.3 | 46660 | 2420 | 19.3 | 14.1 | 78 | 23 | 3.669 | 60.12 |
| H21J363DBF | 575/3/60 | 35900 | 10518 | 3140 | 11.4 | 3.3 | 46500 | 2430 | 19.1 | 4.1 | 36 | 6.9 | 3.669 | 60.12 |
| H21J363DBL | 200-230/3/60 | 35600 | 10431 | 3080 | 11.6 | 3.4 | 46600 | 2420 | 19.2 | 9.2 | 71 | 15 | 3.669 | 60.12 |
| H21J363DBL | 200-220/3/50 | 31000 | 9083 | 2670 | 11.6 | 3.4 | 39500 | 2020 | 19.6 | 9.5 | 76 | 16 | 3.669 | 60.12 |
| H21J363DBV | 380-460/3/60 | 36000 | 10548 | 3140 | 11.4 | 3.3 | 46500 | 2410 | 19.3 | 5.1 | 45 | 8 | 3.669 | 60.12 |
| H21J363DBV | 380-415/3/50 | 30600 | 8965 | 2690 | 11.4 | 3.3 | 39000 | 2050 | 19.0 | 4.7 | 45 | 7.1 | 3.669 | 60.12 |
| H21J38*ABC | 208-230/1/60 | 39000 | 11435 | 3370 | 11.6 | 3.4 | 49700 | 2580 | 19.3 | 15.4 | 86 | 26.5 | 3.883 | 63.63 |
| H21J383DBL | 200-220/3/50 | 33400 | 9786 | 2950 | 11.3 | 3.3 | 42500 | 2260 | 18.8 | 11.1 | 90 | 17 | 3.870 | 63.41 |
| H21J383DBL | 200-230/3/60 | 38900 | 11398 | 3370 | 11.5 | 3.4 | 49800 | 2580 | 19.3 | 10.4 | 88 | 18 | 3.870 | 63.41 |

Data Subject to Revision

* In model number signifies models that are available with Bleed and Without Bleed
 Example H21J36BABC -With Bleed
 H21J363ABC - With out Bleed

| Model | Oil Charge | | Weight Net Ship | | | | ELECTRICAL START COMPONENTS | | | DIMENSIONS | | | | | |
|-------|------------|---|-----------------|----|-----|----|-----------------------------|-----------------|-------|------------|----|----|----|----|----|
| | | | | | | | Run Capacitor | Start Capacitor | G.E. | A | | B | | C | |
| | OZ | L | Lbs | Kg | Lbs | Kg | MFD/VOLTS | MFD/VOLTS | Relay | IN | MM | IN | MM | IN | MM |

| | | | | | | | | | | | | | | | |
|------------|----|-----|------|------|------|------|--------|-------------|--------------|-------|--------|-------|--------|-------|--------|
| H21J14*ABC | 30 | 0.9 | 66.0 | 29.9 | 69.5 | 31.5 | 35/370 | 145-175/250 | GE3ARR3*3P* | 12.36 | 313.92 | 13.89 | 352.81 | 14.19 | 360.38 |
| H21J15*ABC | 30 | 0.9 | 66.0 | 29.9 | 69.5 | 31.5 | 35/370 | 145-175/250 | GE3ARR3*3P* | 12.36 | 313.92 | 13.89 | 352.81 | 14.19 | 360.38 |
| H21J17*ABC | 30 | 0.9 | 66.0 | 29.9 | 69.5 | 31.5 | 35/370 | 145-175/250 | GE3ARR*4A* | 12.38 | 314.33 | 13.89 | 352.81 | 14.19 | 360.38 |
| H21J19*ABC | 30 | 0.9 | 57.5 | 26.1 | 61.0 | 27.7 | 35/370 | 145-175/330 | GE 3ARR3*3T* | 11.73 | 297.94 | 13.75 | 349.25 | 14.03 | 356.36 |
| H21J20*ABC | 30 | 0.9 | 68.0 | 30.8 | 71.5 | 32.4 | 35/370 | 145-175/250 | GE3ARR3*3N* | 12.53 | 318.14 | 14.14 | 359.16 | 14.44 | 366.73 |
| H21J22*ABC | 30 | 0.9 | 59.0 | 26.8 | 62.5 | 28.3 | 30/370 | 145-175/330 | GE 3ARR3*3N* | 11.73 | 297.94 | 13.75 | 349.25 | 14.03 | 356.36 |
| H21J24*ABC | 40 | 1.1 | 79.0 | 35.0 | 82.0 | 37.2 | 30/370 | 145-175/250 | GE3ARR3*3S* | 13.72 | 348.46 | 15.25 | 387.35 | 15.53 | 394.46 |
| H21J25*ABC | 40 | 1.1 | 79.0 | 35.0 | 82.0 | 37.2 | 30/370 | 145-175/250 | GE3ARR3*3S* | 13.72 | 348.46 | 15.25 | 387.35 | 15.53 | 394.46 |
| H21J253DBL | 40 | 1.1 | 71.0 | 32.3 | 74.5 | 33.8 | N/A | N/A | N/A | 13.72 | 348.46 | 15.25 | 387.35 | 15.53 | 394.46 |
| H21J253DBL | 40 | 1.1 | 71.0 | 32.3 | 74.5 | 33.8 | N/A | N/A | N/A | 13.72 | 348.46 | 15.25 | 387.35 | 15.53 | 394.46 |
| H21J253DBV | 40 | 1.1 | 71.0 | 32.3 | 74.5 | 33.8 | N/A | N/A | N/A | 13.72 | 348.46 | 15.25 | 387.35 | 15.53 | 394.46 |
| H21J253DBV | 40 | 1.1 | 71.0 | 32.3 | 74.5 | 33.8 | N/A | N/A | N/A | 13.72 | 348.46 | 15.25 | 387.35 | 15.53 | 394.46 |
| H21J27*ABC | 40 | 1.1 | 79.0 | 35.0 | 82.0 | 37.2 | 40/370 | 189-227/330 | GE3ARR3*3S* | 13.97 | 354.81 | 15.50 | 393.70 | 15.78 | 400.81 |
| H21J273DBL | 40 | 1.1 | 69.0 | 31.3 | 71.0 | 32.2 | N/A | N/A | N/A | 13.72 | 348.49 | 15.25 | 387.35 | 15.53 | 394.46 |
| H21J273DBV | 40 | 1.1 | 69.0 | 31.3 | 71.0 | 32.2 | N/A | N/A | N/A | 13.72 | 348.49 | 15.25 | 387.35 | 15.53 | 394.46 |
| H21J29*ABC | 40 | 1.1 | 77.0 | 34.9 | 80.0 | 36.3 | 40/370 | 189-227/330 | 3ARR3*3S* | 13.97 | 354.84 | 15.50 | 393.70 | 15.78 | 400.81 |
| H21J30*ABC | 40 | 1.1 | 79.0 | 35.0 | 82.0 | 37.2 | 40/370 | 189-227/330 | GE3ARR3*3S* | 13.97 | 354.81 | 15.50 | 393.70 | 15.78 | 400.81 |
| H21J303DBF | 40 | 1.1 | 75.5 | 34.3 | 78.5 | 35.7 | N/A | N/A | N/A | 13.97 | 354.81 | 15.50 | 393.70 | 15.78 | 400.81 |
| H21J303DBL | 40 | 1.1 | 77.0 | 35.0 | 80.0 | 36.4 | N/A | N/A | N/A | 13.97 | 354.81 | 15.50 | 393.70 | 15.78 | 400.81 |
| H21J303DBL | 40 | 1.1 | 77.0 | 35.0 | 80.0 | 36.4 | N/A | N/A | N/A | 13.97 | 354.81 | 15.50 | 393.70 | 15.78 | 400.81 |
| H21J303DBV | 40 | 1.1 | 77.0 | 34.9 | 80.0 | 36.3 | N/A | N/A | N/A | 13.97 | 354.84 | 15.50 | 393.70 | 15.78 | 400.81 |
| H21J303DBV | 40 | 1.1 | 77.0 | 34.9 | 80.0 | 36.3 | N/A | N/A | N/A | 13.97 | 354.84 | 15.50 | 393.70 | 15.78 | 400.81 |
| H21J32*ABC | 40 | 1.1 | 79.0 | 35.0 | 82.0 | 37.2 | 40/370 | 189-227/330 | GE3ARR3*3S* | 13.97 | 354.81 | 15.50 | 393.70 | 15.78 | 400.81 |
| H21J323DBL | 40 | 1.1 | 77.0 | 35.0 | 80.0 | 36.4 | N/A | N/A | N/A | 13.97 | 354.81 | 15.50 | 393.70 | 15.78 | 400.81 |
| H21J323DBL | 40 | 1.1 | 77.0 | 34.9 | 80.0 | 36.3 | N/A | N/A | N/A | 13.97 | 354.84 | 15.50 | 393.70 | 15.78 | 400.81 |
| H21J323DBV | 40 | 1.1 | 77.0 | 35.0 | 80.0 | 36.4 | N/A | N/A | N/A | 13.97 | 354.81 | 15.50 | 393.70 | 15.78 | 400.81 |
| H21J323DBV | 40 | 1.1 | 77.0 | 35.0 | 80.0 | 36.4 | N/A | N/A | N/A | 13.97 | 354.81 | 15.50 | 393.70 | 15.78 | 400.81 |
| H21J34*ABC | 40 | 1.1 | 79.0 | 35.0 | 82.0 | 37.2 | 45/370 | 189-227/330 | GE3ARR3*3S* | 13.97 | 354.81 | 15.50 | 393.70 | 15.78 | 400.81 |
| H21J343DBL | 40 | 1.1 | 72.0 | 32.7 | 75.0 | 34.0 | N/A | N/A | N/A | 13.97 | 354.84 | 15.50 | 393.70 | 15.78 | 400.81 |
| H21J343DBL | 40 | 1.1 | 72.0 | 32.7 | 75.0 | 34.0 | N/A | N/A | N/A | 13.97 | 354.84 | 15.50 | 393.70 | 15.78 | 400.81 |
| H21J343DBV | 40 | 1.1 | 72.0 | 32.7 | 75.0 | 34.0 | N/A | N/A | N/A | 13.97 | 354.84 | 15.50 | 393.70 | 15.78 | 400.81 |
| H21J343DBV | 40 | 1.1 | 72.0 | 32.7 | 75.0 | 34.0 | N/A | N/A | N/A | 13.97 | 354.84 | 15.50 | 393.70 | 15.78 | 400.81 |
| H21J36*ABC | 40 | 1.1 | 79.0 | 35.0 | 82.0 | 37.2 | 45/370 | 189-227/330 | GE3ARR3*3S* | 13.97 | 354.81 | 15.50 | 393.70 | 15.78 | 4 |

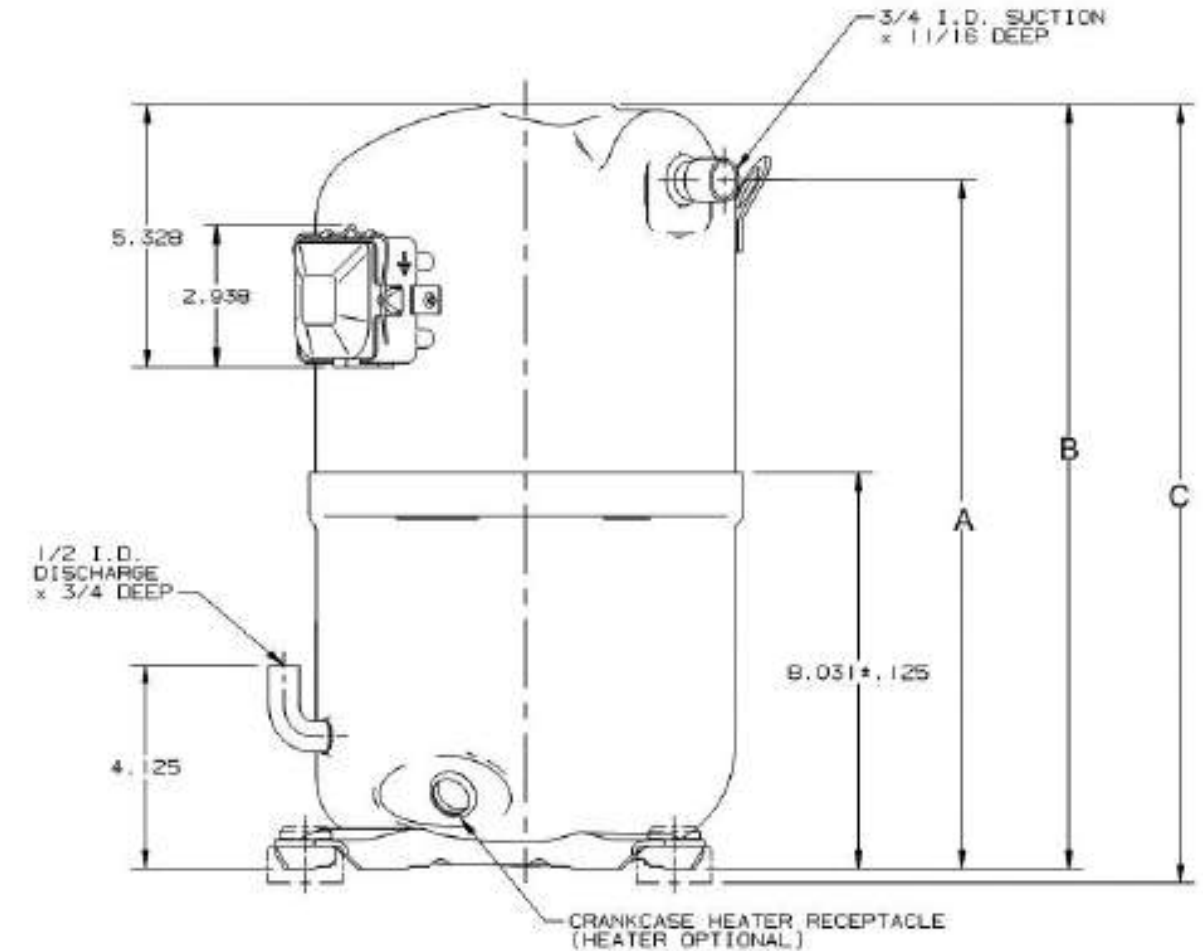
H21J SERIES

| Model | Volts Phase Hz | @45/130 | | | @45/100 | | | Electrical Data | | | Displacement | | | |
|--------------------------|----------------|----------|-------|-------------------|---------|-----|----------|-------------------|------|------|--------------|-----|---------|---------|
| | | Capacity | | Motor Input WATTS | EER/COP | | Capacity | Motor Input WATTS | EER | RLA | LRA | MCC | IN3/REV | CM3/REV |
| | | BTU/H | WATTS | | BTU/WH | W/W | | | | | | | | |
| H21J SERIES (R22) | | | | | | | | | | | | | | |
| H21J383DBV | 380-415/3/50 | 32800 | 9610 | 2850 | 11.5 | 3.4 | 41700 | 2140 | 19.5 | 6 | 42 | 8 | 3.883 | 63.63 |
| H21J383DBV | 380-460/3/60 | 38400 | 11257 | 3290 | 11.7 | 3.4 | 49000 | 2540 | 19.3 | 5.5 | 42 | 8.4 | 3.883 | 63.63 |
| H21J40*ABC | 208-230/1/60 | 41400 | 12130 | 3620 | 11.4 | 3.3 | 52700 | 2800 | 18.8 | 17.4 | 102 | 28 | 4.084 | 66.92 |
| H21J403DBV | 380-415/3/50 | 35200 | 10314 | 3080 | 11.4 | 3.3 | 44900 | 2350 | 19.1 | 5.4 | 42 | 8.2 | 4.084 | 66.92 |
| H21J403DBV | 380-460/3/60 | 41400 | 12130 | 3620 | 11.4 | 3.3 | 52700 | 2800 | 18.8 | 5.3 | 42 | 8.2 | 4.084 | 66.92 |
| H21J43*ABC | 208-230/1/60 | 43500 | 12746 | 3830 | 11.4 | 3.3 | 55600 | 2980 | 18.7 | 17.5 | 102 | 29 | 4.310 | 70.62 |
| H21J433DBV | 380-415/3/50 | 36800 | 10782 | 3250 | 11.3 | 3.3 | 46400 | 2440 | 19.0 | 6 | 42 | 8.5 | 4.310 | 70.62 |
| H21J433DBV | 380-460/3/60 | 42900 | 12570 | 3770 | 11.4 | 3.3 | 54700 | 2920 | 18.7 | 5.7 | 42 | 9 | 4.310 | 70.62 |
| H21J44*ABC | 208-230/1/60 | 45700 | 13390 | 4020 | 11.4 | 3.3 | 58000 | 3150 | 18.4 | 18.5 | 102 | 28 | 4.417 | 72.37 |
| H21J443DBD | 208-230/3/60 | 45400 | 13302 | 3980 | 11.4 | 3.3 | 57400 | 3120 | 18.4 | 11.7 | 88 | 18 | 4.417 | 72.37 |

Data Subject to Revision

* In model number signifies models that are available with Bleed and Without Bleed
 Example H21J36BABC -With Bleed
 H21J363ABC - With out Bleed

| Model | Oil Charge | | Weight Net Ship | | | | ELECTRICAL START COMPONENTS | | | DIMENSIONS | | | | | |
|------------|------------|-----|-----------------|------|------|------|-----------------------------|-----------------|-------------|------------|--------|-------|--------|-------|--------|
| | | | | | | | Run Capacitor | Start Capacitor | G.E. | A | | B | | C | |
| | OZ | L | Lbs | Kg | Lbs | Kg | MFD/VOLTS | MFD/VOLTS | Relay | IN | MM | IN | MM | IN | MM |
| H21J383DBV | 40 | 1.1 | 77.0 | 34.9 | 80.0 | 36.3 | N/A | N/A | N/A | 14.22 | 361.19 | 15.75 | 400.05 | 16.03 | 407.16 |
| H21J383DBV | 40 | 1.1 | 79.5 | 36.1 | 82.5 | 37.5 | N/A | N/A | N/A | 14.22 | 361.16 | 15.75 | 400.05 | 16.03 | 407.16 |
| H21J40*ABC | 40 | 1.1 | 81.0 | 36.7 | 84.0 | 38.1 | 50/370 | 216-259/330 | GE3ARR3*3S* | 14.22 | 361.16 | 15.75 | 400.05 | 16.03 | 407.16 |
| H21J403DBV | 40 | 1.1 | 77.0 | 34.9 | 80.0 | 36.3 | N/A | N/A | N/A | 15.42 | 391.67 | 15.75 | 400.05 | 16.03 | 407.16 |
| H21J403DBV | 40 | 1.1 | 77.0 | 34.9 | 80.0 | 36.3 | N/A | N/A | N/A | 15.42 | 391.67 | 15.75 | 400.05 | 16.03 | 407.16 |
| H21J43*ABC | 40 | 1.1 | 77.0 | 34.9 | 80.0 | 36.3 | N/A | N/A | N/A | 15.42 | 391.67 | 15.75 | 400.05 | 16.03 | 407.16 |
| H21J433DBV | 40 | 1.1 | 77.0 | 34.9 | 80.0 | 36.3 | N/A | N/A | N/A | 15.42 | 391.67 | 15.75 | 400.05 | 16.03 | 407.16 |
| H21J433DBV | 40 | 1.1 | 77.0 | 34.9 | 80.0 | 36.3 | N/A | N/A | N/A | 15.42 | 391.67 | 15.75 | 400.05 | 16.03 | 407.16 |
| H21J44*ABC | 40 | 1.1 | 77.0 | 34.9 | 80.0 | 36.3 | 65/370 | 216-259/330 | 3ARR3*3S* | 14.22 | 361.19 | 15.75 | 400.05 | 16.03 | 407.16 |
| H21J443DBD | 40 | 1.1 | 72.0 | 32.7 | 75.0 | 34.0 | N/A | N/A | N/A | 14.22 | 361.19 | 15.75 | 400.05 | 16.03 | 407.16 |



H21J

H22J SERIES

| Model | Volts Phase Hz | @45/130 | | | | | @45/100 | | | | | Electrical Data | | | Displacement | |
|------------|----------------|----------|-------|-------------------|---------|-----|----------|-------------------|------|------|-----|-----------------|---------|---------|--------------|--|
| | | Capacity | | Motor Input WATTS | EER/COP | | Capacity | Motor Input WATTS | EER | RLA | LRA | MCC | IN3/REV | CM3/REV | | |
| | | BTU/H | WATTS | | BTU/WH | W/W | | | | | | | | | BTU/H | |
| H22J13BABC | 208-230/1/60 | 13300 | 3897 | 1270 | 10.4 | 3.0 | 19000 | 1090 | 17.4 | 6 | 48 | 10.1 | 1.664 | 27.27 | | |
| H22J15BABC | 208-230/1/60 | 15500 | 4541 | 1480 | 10.5 | 3.1 | 21300 | 1220 | 17.5 | 6.7 | 48 | 12 | 1.880 | 30.80 | | |
| H22J18BABC | 208-230/1/60 | 18300 | 5361 | 1710 | 10.7 | 3.1 | 24900 | 1410 | 17.6 | 7.4 | 48 | 14 | 2.139 | 35.05 | | |
| H22J18BABH | 265/1/60 | 18100 | 5303 | 1690 | 10.7 | 3.1 | 24300 | 1390 | 17.4 | 6.5 | 44 | 11.5 | 2.139 | 35.05 | | |
| H22J18BABH | 220-240/1/50 | 15300 | 4483 | 1450 | 10.6 | 3.1 | 20500 | 1170 | 17.6 | 6.7 | 42 | 12 | 2.139 | 35.05 | | |
| H22J20BABC | 208-230/1/60 | 20500 | 6006 | 1900 | 10.8 | 3.2 | 26900 | 1520 | 17.7 | 8.6 | 60 | 17 | 2.416 | 39.59 | | |
| H22J20BABH | 265/1/60 | 20800 | 6094 | 1940 | 10.7 | 3.1 | 28800 | 1630 | 17.7 | 7.2 | 58 | 15 | 2.416 | 39.59 | | |
| H22J20BABH | 220-240/1/50 | 17900 | 5245 | 1680 | 10.7 | 3.1 | 23800 | 1350 | 17.7 | 7.6 | 55 | 14.5 | 2.416 | 39.59 | | |
| H22J22BABC | 208-230/1/60 | 22600 | 6621 | 2100 | 10.8 | 3.2 | 30700 | 1720 | 17.8 | 9.6 | 60 | 18 | 2.586 | 42.37 | | |
| H22J22BABH | 265/1/60 | 22700 | 6651 | 2070 | 11.0 | 3.2 | 31100 | 1730 | 18.0 | 8.2 | 58 | 15 | 2.586 | 42.37 | | |
| H22J22BABH | 220-240/1/50 | 19600 | 5743 | 1800 | 10.9 | 3.2 | 26000 | 1440 | 18.0 | 8.4 | 55 | 15 | 2.586 | 42.37 | | |
| H22J253DBL | 200-230/3/60 | 23500 | 6885 | 2160 | 10.9 | 3.2 | 31800 | 1760 | 18.1 | 6.5 | 58 | 13 | 2.699 | 44.24 | | |
| H22J253DBL | 200-220/3/50 | 20400 | 5977 | 1940 | 10.5 | 3.1 | 27200 | 1560 | 17.5 | 7.1 | 60 | 13.1 | 2.699 | 44.24 | | |
| H22J253DBV | 380-460/3/60 | 23600 | 6915 | 2170 | 10.9 | 3.2 | 31400 | 1740 | 18.0 | 3.4 | 30 | 6.7 | 2.699 | 44.24 | | |
| H22J253DBV | 380-415/3/50 | 20300 | 5948 | 1920 | 10.6 | 3.1 | 27100 | 1530 | 17.7 | 3.4 | 30 | 6.7 | 2.699 | 44.24 | | |
| H22J25BABC | 208-230/1/60 | 24200 | 7090 | 2190 | 11.1 | 3.3 | 32300 | 1770 | 18.2 | 9.6 | 61 | 19 | 2.699 | 44.24 | | |
| H22J25BABH | 265/1/60 | 23600 | 6915 | 2110 | 11.2 | 3.3 | 32000 | 1770 | 18.1 | 8.3 | 58 | 14.1 | 2.669 | 44.24 | | |
| H22J25BABH | 220-240/1/50 | 20200 | 5919 | 1840 | 10.9 | 3.2 | 26900 | 1490 | 18.0 | 9.4 | 56 | 13.6 | 2.699 | 44.24 | | |
| H22J293DBF | 575/3/60 | 28800 | 8438 | 2620 | 11.0 | 3.2 | 37400 | 2080 | 17.9 | 3.7 | 32 | 6.4 | 3.056 | 50.07 | | |
| H22J293DBL | 200-230/3/60 | 28000 | 8204 | 2530 | 11.0 | 3.2 | 35800 | 1970 | 18.2 | 7.8 | 68 | 13.5 | 3.056 | 50.07 | | |
| H22J293DBL | 200-220/3/50 | 24400 | 7149 | 2270 | 10.7 | 3.1 | 31600 | 1790 | 17.7 | 8.7 | 68 | 13.7 | 3.056 | 50.07 | | |
| H22J293DBV | 380-460/3/60 | 27800 | 8145 | 2570 | 10.8 | 3.2 | 36100 | 2050 | 17.7 | 4.1 | 36 | 7.4 | 3.056 | 50.07 | | |
| H22J293DBV | 380-415/3/50 | 23900 | 7003 | 2270 | 10.5 | 3.1 | 31600 | 1730 | 18.2 | 4.2 | 38 | 7.4 | 3.056 | 50.07 | | |
| H22J29BABC | 208-230/1/60 | 28800 | 8438 | 2590 | 11.1 | 3.3 | 36600 | 2040 | 18.0 | 11.8 | 73 | 22 | 3.056 | 50.07 | | |
| H22J29BABH | 265/1/60 | 28500 | 8350 | 2550 | 11.2 | 3.3 | 37300 | 2080 | 17.9 | 10.3 | 72 | 18.5 | 3.056 | 50.07 | | |
| H22J29BABH | 220-240/1/50 | 23500 | 6885 | 2150 | 11.0 | 3.2 | 31700 | 1750 | 18.1 | 10.5 | 70 | 17.2 | 3.056 | 50.07 | | |
| H22J333DBF | 575/3/60 | 33000 | 9669 | 3040 | 10.9 | 3.2 | 43000 | 2450 | 17.5 | 3.7 | 32 | 6.4 | 3.498 | 57.33 | | |
| H22J333DBL | 200-230/3/60 | 32400 | 9493 | 2900 | 11.2 | 3.3 | 41300 | 2310 | 17.9 | 9 | 78 | 16 | 3.361 | 55.09 | | |
| H22J333DBL | 200-220/3/50 | 27900 | 8175 | 2580 | 10.8 | 3.2 | 35900 | 2010 | 17.8 | 9.5 | 82 | 16 | 3.361 | 55.09 | | |
| H22J333DBV | 380-460/3/60 | 31600 | 9259 | 2880 | 11.0 | 3.2 | 40700 | 2320 | 17.5 | 4.5 | 40 | 8.1 | 3.361 | 55.09 | | |
| H22J333DBV | 380-415/3/50 | 26100 | 7647 | 2420 | 10.8 | 3.2 | 34900 | 1970 | 17.7 | 4.7 | 42 | 8 | 3.361 | 55.09 | | |
| H22J33BABC | 208-230/1/60 | 31900 | 9346 | 2880 | 11.1 | 3.3 | 41200 | 2280 | 18.1 | 13 | 82 | 24 | 3.361 | 55.09 | | |
| H22J33BABH | 265/1/60 | 32000 | 9376 | 2940 | 10.9 | 3.2 | 40800 | 2340 | 17.5 | 11.8 | 80 | 20.5 | 3.361 | 55.09 | | |
| H22J33BABH | 220-240/1/50 | 26400 | 7735 | 2410 | 10.9 | 3.2 | 35000 | 1960 | 17.9 | 11.9 | 76 | 19.2 | 3.361 | 55.09 | | |
| H22J363DBF | 575/3/60 | 34100 | 9991 | 3180 | 10.7 | 3.1 | 42800 | 2480 | 17.3 | 3.9 | 32 | 6.2 | 3.695 | 60.55 | | |
| H22J363DBL | 200-230/3/60 | 35000 | 10255 | 3230 | 10.9 | 3.2 | 42700 | 2430 | 17.6 | 9.6 | 78 | 16 | 3.695 | 60.55 | | |
| H22J363DBL | 200-220/3/50 | 30400 | 8907 | 2850 | 10.7 | 3.1 | 37500 | 2140 | 17.5 | 10.3 | 82 | 16.8 | 3.695 | 60.55 | | |
| H22J363DBV | 380-460/3/60 | 34400 | 10079 | 3210 | 10.7 | 3.1 | 44300 | 2570 | 17.2 | 4.9 | 40 | 8.6 | 3.695 | 60.55 | | |
| H22J363DBV | 380-415/3/50 | 29600 | 8673 | 2800 | 10.6 | 3.1 | 38100 | 2130 | 17.8 | 5 | 42 | 8.6 | 3.695 | 60.55 | | |
| H22J36BABC | 208-230/1/60 | 35700 | 10460 | 3220 | 11.1 | 3.3 | 45300 | 2540 | 17.8 | 14.4 | 86 | 26 | 3.695 | 60.55 | | |
| H22J36BABH | 265/1/60 | 35500 | 10401 | 3290 | 10.8 | 3.2 | 44900 | 2630 | 17.1 | 13 | 90 | 24 | 3.695 | 60.55 | | |
| H22J36BABH | 220-240/1/50 | 30000 | 8790 | 2770 | 10.8 | 3.2 | 38900 | 2220 | 17.5 | 13.4 | 85 | 23 | 3.695 | 60.55 | | |

Data Subject to Revision

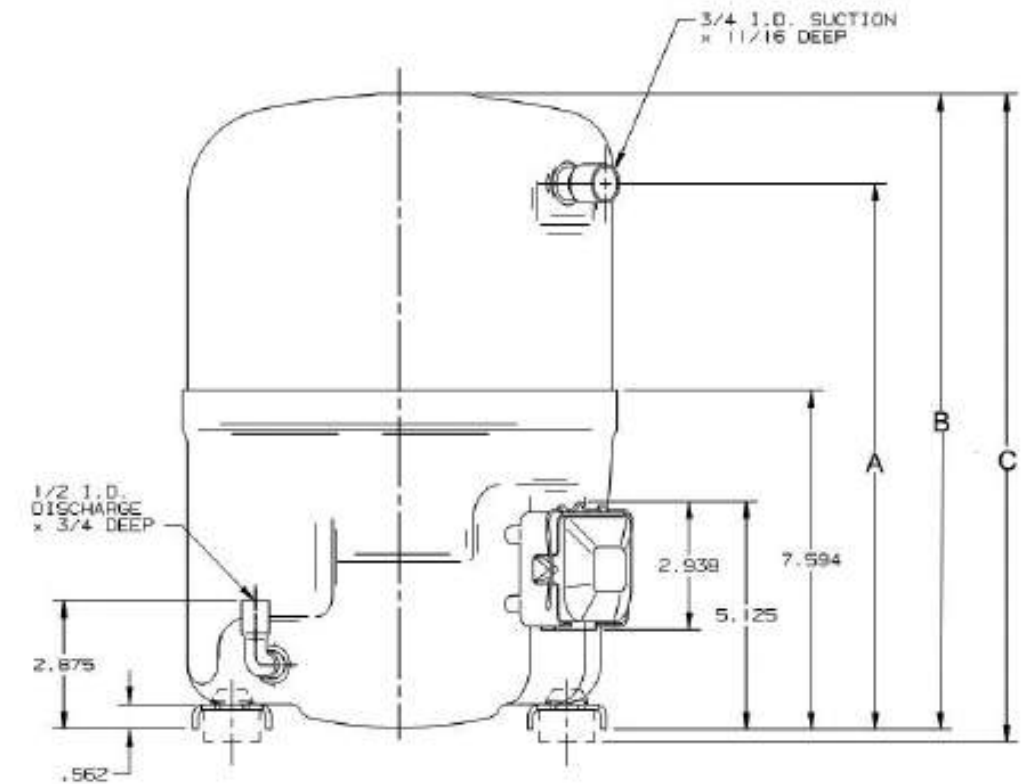
| Model | Oil Charge | | Weight Net Ship | | | | ELECTRICAL START COMPONENTS | | | DIMENSIONS | | | | | |
|------------|------------|-----|-----------------|------|------|------|-----------------------------|-----------------|------------|------------|--------|-------|--------|-------|--------|
| | | | | | | | Run Capacitor | Start Capacitor | G.E. | A | | B | | C | |
| | OZ | L | Lbs | Kg | Lbs | Kg | MFD/VOLTS | MFD/VOLTS | Relay | IN | MM | IN | MM | IN | MM |
| H22J13BABC | 35 | 1.0 | 59.0 | 26.8 | 63.0 | 28.6 | 30/370 | 161-193/250 | 3ARR3*3V* | 11.20 | 284.48 | 13.20 | 335.28 | 13.50 | 342.90 |
| H22J15BABC | 35 | 1.0 | 59.5 | 27.0 | 63.0 | 28.6 | 30/370 | 161-193/250 | 3ARR3*3V* | 11.20 | 284.48 | 13.20 | 335.28 | 13.50 | 342.90 |
| H22J18BABC | 35 | 1.0 | 59.5 | 27.0 | 63.0 | 28.6 | 30/370 | 161-193/250 | 3ARR3*3V* | 11.20 | 284.48 | 13.20 | 335.28 | 13.50 | 342.90 |
| H22J18BABH | 35 | 1.0 | 61.5 | 27.9 | 64.0 | 29.0 | 25/440 | 88-108/330 | 3ARR3*10U | 11.20 | 284.48 | 13.20 | 335.28 | 13.50 | 342.90 |
| H22J18BABH | 35 | 1.0 | 61.0 | 27.7 | 63.5 | 28.8 | 30/370 | 145-175/250 | () | 11.20 | 287.02 | 13.30 | 337.82 | 13.60 | 345.44 |
| H22J20BABC | 35 | 1.0 | 61.0 | 27.7 | 64.5 | 29.3 | 30/370 | 145-175/250 | 3ARR3*3U* | 11.20 | 284.48 | 13.20 | 335.28 | 13.50 | 342.90 |
| H22J20BABH | 35 | 1.0 | 63.5 | 28.8 | 67.0 | 30.4 | 30/440 | 88-108/330 | 3ARR3*10S* | 11.70 | 297.18 | 13.80 | 350.52 | 14.00 | 355.60 |
| H22J20BABH | 35 | 1.0 | 63.5 | 28.8 | 67.0 | 30.4 | 35/370 | 145-175/250 | 3ARR3*10S* | 11.70 | 299.72 | 13.80 | 350.52 | 14.00 | 355.60 |
| H22J22BABC | 35 | 1.0 | 61.0 | 27.7 | 64.5 | 29.3 | 30/370 | 145-175/250 | 3ARR3*3U* | 11.20 | 284.48 | 13.20 | 335.28 | 13.50 | 342.90 |
| H22J22BABH | 35 | 1.0 | 65.0 | 29.5 | 68.5 | 31.1 | 30/440 | 88-108/330 | 3ARR3*10S* | 11.70 | 297.18 | 13.80 | 350.52 | 14.00 | 355.60 |
| H22J22BABH | 35 | 1.0 | 63.5 | 28.8 | 67.0 | 30.4 | 35/370 | 145-175/250 | 3ARR3*10U* | 11.70 | 299.72 | 13.80 | 350.52 | 14.00 | 355.60 |
| H22J253DBL | 35 | 1.0 | 61.0 | 27.7 | 64.5 | 29.3 | N/A | N/A | N/A | 11.70 | 297.18 | 13.80 | 350.52 | 14.00 | 355.60 |
| H22J253DBL | 35 | 1.0 | 61.0 | 27.7 | 64.5 | 29.3 | N/A | N/A | N/A | 11.70 | 299.72 | 13.80 | 350.52 | 14.00 | 355.60 |
| H22J253DBV | 35 | 1.0 | 61.0 | 27.7 | 64.5 | 29.3 | N/A | N/A | N/A | 11.70 | 297.18 | 13.80 | 350.52 | 14.00 | 355.60 |
| H22J253DBV | 35 | 1.0 | 61.0 | 27.7 | 64.5 | 29.3 | N/A | N/A | N/A | 11.70 | 299.72 | 13.80 | 350.52 | 14.00 | 355.60 |
| H22J25BABC | 35 | 1.0 | 63.5 | 28.8 | 67.0 | 30.4 | 35/370 | 145-175/250 | 3ARR3*3T* | 11.70 | 297.18 | 13.80 | 350.52 | 14.00 | 355.60 |
| H22J25BABH | 35 | 1.0 | 65.0 | 29.5 | 68.5 | 31.1 | 30/440 | 88-108/330 | 3ARR3*10S* | 11.70 | 297.18 | 13.80 | 350.52 | 14.00 | 355.60 |
| H22J25BABH | 35 | 1.0 | 65.0 | 29.5 | 68.5 | 31.1 | 40/370 | 145-175/250 | 3ARR3*10S* | 11.70 | 299.72 | 13.80 | 350.52 | 14.00 | 355.60 |
| H22J293DBF | 35 | 1.0 | 65.0 | 29.7 | 69.0 | 31.2 | N/A | N/A | () | 12.20 | 310.00 | 14.20 | 361.00 | 14.50 | 368.00 |
| H22J293DBL | 35 | 1.0 | 64.0 | 29.0 | 67.5 | 30.6 | N/A | N/A | N/A | 11.70 | 297.18 | 13.80 | 350.52 | 14.00 | 355.60 |
| H22J293DBL | 35 | 1.0 | 64.0 | 29.0 | 67.5 | 30.6 | N/A | N/A | N/A | 11.70 | 299.72 | 13.80 | 350.52 | 14.00 | 355.60 |
| H22J293DBV | 35 | 1.0 | 64.0 | 29.0 | 67.5 | 30.6 | N/A | N/A | N/A | 11.70 | 297.18 | 13.80 | 350.52 | 14.00 | 355.60 |
| H22J293DBV | 35 | 1.0 | 64.0 | 29.0 | 67.5 | 30.6 | N/A | N/A | N/A | 11.70 | 299.72 | 13.80 | 350.52 | 14.00 | 355.60 |
| H22J29BABC | 35 | 1.0 | 63.5 | 28.8 | 67.0 | 30.4 | 35/370 | 161-193/250 | 3ARR3*3T* | 11.70 | 297.18 | 13.80 | 350.52 | 14.00 | 355.60 |
| H22J29BABH | 35 | 1.0 | 65.5 | 29.7 | 69.0 | 31.3 | 30/440 | 88-108/330 | 3ARR3*3L* | 11.70 | 297.18 | 13.80 | 350.52 | 14.00 | 355.60 |
| H22J29BABH | 35 | 1.0 | 65.0 | 29.5 | 68.5 | 31.1 | 40/370 | 145-175/250 | 3ARR3*3L* | 11.70 | 299.72 | 13.80 | 350.52 | 14.00 | 355.60 |
| H22J333DBF | 35 | 1.0 | 67.5 | 30.6 | 71.0 | 32.2 | N/A | N/A | N/A | 12.20 | 309.88 | 14.30 | 363.22 | 14.50 | 368.30 |
| H22J333DBL | 35 | 1.0 | 67.5 | 30.6 | 71.0 | 32.2 | N/A | N/A | N/A | 12.20 | 309.88 | 14.30 | 363.22 | 14.50 | 368.30 |
| H22J333DBL | 35 | 1.0 | 67.5 | 30.6 | 71.0 | 32.2 | N/A | N/A | N/A | 12.20 | 309.88 | 14.30 | 363.22 | 14.50 | 368.30 |
| H22J333DBV | 35 | 1.0 | 67.5 | 30.6 | 71.0 | 32.2 | N/A | N/A | N/A | 12.20 | 309.88 | 14.30 | 363.22 | 14.50 | 368.30 |
| H22J333DBV | 35 | 1.0 | 67.5 | 30.6 | 71.0 | 32.2 | N/A | N/A | N/A | 12.20 | 309.88 | 14.30 | 363.22 | 14.50 | 368.30 |
| H22J33BABC | 35 | 1.0 | 68.5 | 31.1 | 72.0 | 32.7 | 40/370 | 145-175/250 | 3ARR3*3P* | 12.20 | 309.88 | 14.20 | 360.68 | 14.50 | 368.30 |
| H22J33BABH | 35 | 1.0 | 66.5 | 30.2 | 70.0 | 31.8 | 30/440 | 88-108/330 | 3ARR3*10S* | 12.20 | 309.88 | 14.30 | 363.22 | 14.50 | 368.30 |
| H22J | | | | | | | | | | | | | | | |

H22J SERIES

| Model | Volts Phase Hz | @45/130 | | | @45/100 | | | Electrical Data | | | Displacement | | | |
|--------------------------|----------------|----------|-------|-------------------|---------|-----|----------|-------------------|------|------|--------------|-----|---------|---------|
| | | Capacity | | Motor Input WATTS | EER/COP | | Capacity | Motor Input WATTS | EER | RLA | LRA | MCC | IN3/REV | CM3/REV |
| | | BTU/H | WATTS | | BTU/WH | W/W | | | | | | | | |
| H22J SERIES (R22) | | | | | | | | | | | | | | |
| H22J383DBF | 575/3/60 | 37500 | 10987 | 3380 | 11.1 | 3.3 | 48800 | 2660 | 18.4 | 4 | 36 | 8 | 3.870 | 63.43 |
| H22J383DBL | 200-230/3/60 | 37500 | 10987 | 3380 | 11.1 | 3.3 | 48800 | 2660 | 18.4 | 10.2 | 88 | 18 | 3.870 | 63.43 |
| H22J383DBL | 200-220/3/50 | 31900 | 9347 | 2940 | 10.8 | 3.2 | 41200 | 2280 | 18.1 | 11.1 | 90 | 17 | 3.870 | 63.43 |
| H22J383DBV | 380-460/3/60 | 37500 | 10987 | 3380 | 11.1 | 3.3 | 48800 | 2660 | 18.4 | 5 | 42 | 9 | 3.870 | 63.43 |
| H22J383DBV | 380-415/3/50 | 31900 | 9347 | 2940 | 10.8 | 3.2 | 41200 | 2280 | 18.1 | 5.2 | 42 | 9 | 3.870 | 63.43 |
| H22J38BABC | 208-230/1/60 | 37800 | 11090 | 3460 | 10.9 | 3.2 | 49000 | 2640 | 18.5 | 14.9 | 86 | 24 | 3.870 | 63.43 |
| H22J413DBE | 380-460/3/60 | 40400 | 11837 | 3610 | 11.2 | 3.3 | 52300 | 2860 | 18.3 | 5.4 | 42 | 9 | 4.147 | 67.97 |
| H22J413DBE | 380-415/3/50 | 34900 | 10226 | 3230 | 10.8 | 3.2 | 44300 | 2480 | 17.9 | 5.6 | 42 | 9 | 4.147 | 67.97 |
| H22J413DBF | 575/3/60 | 40400 | 11837 | 3610 | 11.2 | 3.3 | 52300 | 2860 | 18.3 | 4.3 | 36 | 8 | 4.147 | 67.97 |
| H22J413DBL | 200-230/3/60 | 40500 | 11866 | 3650 | 11.1 | 3.3 | 52500 | 2890 | 18.2 | 11 | 88 | 20 | 4.147 | 67.97 |
| H22J413DBL | 200-220/3/50 | 34900 | 10226 | 3230 | 10.8 | 3.2 | 44300 | 2480 | 17.9 | 11.6 | 90 | 19 | 4.147 | 67.97 |
| H22J41BABC | 208-230/1/60 | 40900 | 11983 | 3750 | 10.9 | 3.2 | 52800 | 2960 | 17.8 | 17.1 | 102 | 28 | 4.147 | 67.97 |
| H22J443DBD | 208-230-3-60 | 44100 | 12921 | 4040 | 10.9 | 3.2 | 57100 | 3140 | 18.2 | 11.7 | 88 | 18 | 4.417 | 72.4 |
| H22J443DBD | 200-220/3/50 | 37700 | 11046 | 3510 | 10.8 | 3.2 | 48600 | 2680 | 18.1 | 12 | 90 | 18 | 4.417 | 72.4 |
| H22J443DBE | 380-460/3/60 | 44100 | 12921 | 4040 | 10.9 | 3.2 | 57100 | 3140 | 18.2 | 5.8 | 42 | 10 | 4.417 | 72.4 |
| H22J443DBE | 380-415/3/50 | 37700 | 11046 | 3510 | 10.8 | 3.2 | 48600 | 2680 | 18.1 | 6 | 42 | 9 | 4.417 | 72.4 |
| H22J443DBF | 575/3/60 | 44100 | 12921 | 4040 | 10.9 | 3.2 | 57100 | 3140 | 18.2 | 4.6 | 36 | 8 | 4.417 | 72.4 |
| H22J44BABC | 208-230/1/60 | 44300 | 12979 | 4110 | 10.8 | 3.2 | 37300 | 3300 | 17.6 | 17.8 | 102 | 28 | 4.417 | 72.4 |

Data Subject to Revision

| Model | Oil Charge | | Weight Net Ship | | | | ELECTRICAL START COMPONENTS | | | DIMENSIONS | | | | | |
|------------|------------|-----|-----------------|------|------|------|-----------------------------|---------------------------|--------------|------------|--------|-------|--------|-------|--------|
| | OZ | L | Lbs | Kg | Lbs | Kg | Run Capacitor MFD/VOLTS | Start Capacitor MFD/VOLTS | G.E. Relay | A | | B | | C | |
| | | | | | | | | | | IN | MM | IN | MM | IN | MM |
| H22J383DBF | 40 | 1.1 | 77.0 | 34.9 | 80.0 | 36.3 | N/A | N/A | N/A | 14.00 | 355.60 | 15.50 | 393.70 | 15.80 | 401.32 |
| H22J383DBL | 40 | 1.1 | 77.0 | 34.9 | 80.0 | 36.3 | N/A | N/A | N/A | 14.00 | 355.60 | 15.50 | 393.70 | 15.80 | 401.32 |
| H22J383DBL | 40 | 1.1 | 77.0 | 34.9 | 80.0 | 36.3 | N/A | N/A | N/A | 14.00 | 355.60 | 15.50 | 393.70 | 15.80 | 401.32 |
| H22J383DBV | 40 | 1.1 | 77.0 | 34.9 | 80.0 | 36.3 | N/A | N/A | N/A | 14.00 | 355.60 | 15.50 | 393.70 | 15.80 | 401.32 |
| H22J383DBV | 40 | 1.1 | 77.0 | 34.9 | 80.0 | 36.3 | N/A | N/A | N/A | 14.00 | 355.60 | 15.50 | 393.70 | 15.80 | 401.32 |
| H22J38BABC | 40 | 1.1 | 81.0 | 36.7 | 84.0 | 38.1 | 45/370 | 189-227/250 | 3ARR3*3S* | 15.20 | 386.08 | 15.50 | 393.70 | 15.80 | 401.32 |
| H22J413DBE | 40 | 1.1 | 77.0 | 34.9 | 80.0 | 36.3 | N/A | N/A | N/A | 14.00 | 355.60 | 15.50 | 393.70 | 15.80 | 401.32 |
| H22J413DBE | 40 | 1.1 | 77.0 | 34.9 | 80.0 | 36.3 | N/A | N/A | N/A | 14.00 | 355.60 | 15.50 | 393.70 | 15.80 | 401.32 |
| H22J413DBF | 40 | 1.1 | 77.0 | 34.9 | 80.0 | 36.3 | N/A | N/A | N/A | 14.00 | 355.60 | 15.50 | 393.70 | 15.80 | 401.32 |
| H22J413DBL | 40 | 1.1 | 77.0 | 34.9 | 80.0 | 36.3 | N/A | N/A | N/A | 14.00 | 355.60 | 15.50 | 393.70 | 15.80 | 401.32 |
| H22J413DBL | 40 | 1.1 | 77.0 | 34.9 | 80.0 | 36.3 | N/A | N/A | N/A | 14.00 | 355.60 | 15.50 | 393.70 | 15.80 | 401.32 |
| H22J41BABC | 40 | 1.1 | 81.0 | 36.7 | 84.0 | 38.1 | 50/370 | 216-259/330 | 3ARR3*3S* | 15.20 | 386.08 | 15.50 | 393.70 | 15.80 | 401.32 |
| H22J443DBD | 40 | 1.1 | 77.0 | 34.9 | 80.0 | 36.3 | N/A | N/A | N/A | 14.00 | 355.60 | 15.50 | 393.70 | 15.80 | 401.32 |
| H22J443DBD | 40 | 1.1 | 77.0 | 34.9 | 80.0 | 36.3 | N/A | N/A | N/A | 14.00 | 355.60 | 15.50 | 393.70 | 15.80 | 401.32 |
| H22J443DBE | 40 | 1.1 | 77.0 | 34.9 | 80.0 | 36.3 | N/A | N/A | N/A | 14.00 | 355.60 | 15.50 | 393.70 | 15.80 | 401.32 |
| H22J443DBE | 40 | 1.1 | 77.0 | 34.9 | 80.0 | 36.3 | N/A | N/A | N/A | 14.00 | 355.60 | 15.50 | 393.70 | 15.80 | 401.32 |
| H22J443DBF | 40 | 1.1 | 77.0 | 34.9 | 80.0 | 36.3 | N/A | N/A | N/A | 14.00 | 355.60 | 15.50 | 393.70 | 15.80 | 401.32 |
| H22J44BABC | 40 | 1.1 | 77.0 | 34.9 | 80.0 | 36.3 | 65/370 | 216-259/330 | GE 3ARR3*3S* | 14.00 | 355.60 | 15.50 | 393.70 | 15.80 | 401.32 |



H22J

H82J SERIES

| Model | Volts Phase Hz | @45/130 | | | | | @45/100 | | | | | Electrical Data | | | Displacement | |
|-------|----------------|----------|-------|-------------------|---------|-----|----------|-------------------|-----|-----|-----|-----------------|---------|---------|--------------|--|
| | | Capacity | | Motor Input WATTS | EER/COP | | Capacity | Motor Input WATTS | EER | RLA | LRA | MCC | IN3/REV | CM3/REV | | |
| | | BTU/H | WATTS | | BTU/WH | W/W | | | | | | | | | | |

H82J SERIES (R410A)

| | | | | | | | | | | | | | | |
|------------|--------------|-------|------|------|------|-----|-------|------|------|------|----|------|-------|-------|
| H82J09*ABC | 208-230/1/60 | 9000 | 2637 | 1010 | 8.9 | 2.6 | 14700 | 910 | 16.3 | 4.5 | 45 | 10.6 | 0.947 | 15.52 |
| H82J13*ABC | 208-230/1/60 | 13000 | 3808 | 1330 | 9.7 | 2.8 | 19900 | 1120 | 17.8 | 5.9 | 43 | 11 | 1.260 | 20.64 |
| H82J15*ABC | 208-230/1/60 | 14700 | 4307 | 1480 | 9.9 | 2.9 | 22700 | 1240 | 18.2 | 6.5 | 43 | 13 | 1.363 | 22.28 |
| H82J153ABH | 265/1/60 | 14700 | 4307 | 1530 | 9.6 | 2.8 | 22700 | 1280 | 17.7 | 5.8 | 46 | 12.4 | 1.363 | 22.28 |
| H82J153ABH | 220-240/1/50 | 11900 | 3486 | 1270 | 9.4 | 2.8 | 18600 | 1070 | 17.3 | 6.2 | 48 | 12.1 | 1.363 | 22.28 |
| H82J18*ABC | 208-230/1/60 | 18100 | 5303 | 1780 | 10.1 | 3.0 | 26700 | 1440 | 18.6 | 7.4 | 43 | 13 | 1.570 | 25.72 |
| H82J183ABH | 265/1/60 | 18100 | 5303 | 1810 | 10.0 | 2.9 | 26700 | 1460 | 18.3 | 6.7 | 46 | 12.6 | 1.570 | 25.72 |
| H82J183ABH | 220-240/1/50 | 14800 | 4360 | 1540 | 9.6 | 2.8 | 22000 | 1220 | 17.9 | 7.4 | 48 | 12 | 1.570 | 25.72 |
| H82J183DBL | 200-230/3/60 | 18100 | 5303 | 1790 | 10.1 | 3.0 | 26800 | 1450 | 18.6 | 5.9 | 63 | 13.0 | 1.570 | 25.72 |
| H82J183DBL | 200-220/3/50 | 15300 | 4483 | 1570 | 9.8 | 2.9 | 22000 | 1240 | 17.8 | 6.7 | 64 | 13.0 | 1.570 | 25.72 |
| H82J183DBV | 380-415/3/50 | 15300 | 4508 | 1570 | 9.8 | 2.9 | 22000 | 1240 | 17.8 | 3 | 30 | 7 | 1.570 | 25.72 |
| H82J183DBV | 380-460/3/60 | 18100 | 5297 | 1790 | 10.1 | 3.0 | 26800 | 1450 | 18.6 | 2.9 | 30 | 6 | 1.570 | 25.72 |
| H82J19*ABC | 208-230/1/60 | 19000 | 5567 | 1870 | 10.2 | 3.0 | 28000 | 1510 | 18.6 | 8 | 43 | 14.5 | 1.655 | 27.13 |
| H82J193DBL | 200-220/3/50 | 16400 | 4815 | 1660 | 9.9 | 2.9 | 23600 | 1310 | 18.0 | 6.7 | 64 | 13 | 1.655 | 27.13 |
| H82J193DBL | 200-230/3/60 | 19000 | 5563 | 1880 | 10.1 | 3.0 | 28200 | 1520 | 18.6 | 6.1 | 63 | 13 | 1.655 | 27.13 |
| H82J193DBV | 380-415/3/50 | 16400 | 4805 | 1660 | 9.9 | 2.9 | 23600 | 1310 | 18.0 | 3.1 | 30 | 7 | 1.655 | 27.13 |
| H82J193DBV | 380-460/3/60 | 19000 | 5563 | 1880 | 10.1 | 3.0 | 28200 | 1520 | 18.6 | 3.1 | 30 | 6 | 1.655 | 27.13 |
| H82J21*ABC | 208-230/1/60 | 21000 | 6153 | 2040 | 10.3 | 3.0 | 30400 | 1630 | 18.6 | 9.4 | 54 | 17.5 | 1.768 | 28.97 |
| H82J213ABH | 265/1/60 | 21000 | 6153 | 2040 | 10.3 | 3.0 | 30400 | 1640 | 18.6 | 8 | 46 | 14 | 1.768 | 28.97 |
| H82J213ABH | 220-240/1/50 | 17500 | 5144 | 1810 | 9.7 | 2.8 | 25800 | 1410 | 18.3 | 8.6 | 48 | 14 | 1.768 | 28.97 |
| H82J213DBF | 575/3/60 | 21100 | 6182 | 2050 | 10.3 | 3.0 | 30500 | 1640 | 18.6 | 2.6 | 26 | 6 | 1.768 | 28.97 |
| H82J213DBL | 200-220/3/50 | 17700 | 5157 | 1760 | 10.0 | 2.9 | 25500 | 1400 | 18.3 | 6.9 | 64 | 13 | 1.768 | 28.97 |
| H82J213DBL | 200-230/3/60 | 21100 | 6187 | 2050 | 10.3 | 3.0 | 30500 | 1640 | 18.6 | 6.6 | 63 | 13.5 | 1.768 | 28.97 |
| H82J213DBV | 380-415/3/50 | 17700 | 5157 | 1760 | 10 | 2.9 | 25500 | 1400 | 18.3 | 3.3 | 30 | 7 | 1.768 | 28.97 |
| H82J213DBV | 380-460/3/60 | 21100 | 6187 | 2050 | 10.3 | 3.0 | 30500 | 1640 | 18.6 | 3.2 | 30 | 6.4 | 1.768 | 28.97 |
| H82J22*ABC | 208-230/1/60 | 22300 | 6534 | 2170 | 10.3 | 3.0 | 32300 | 1740 | 18.6 | 9.9 | 54 | 16.6 | 1.862 | 30.51 |
| H82J223ABH | 265/1/60 | 22300 | 6534 | 2170 | 10.3 | 3.0 | 32300 | 1740 | 18.6 | 8.5 | 46 | 14.3 | 1.862 | 30.51 |
| H82J223ABH | 220-240/1/50 | 18900 | 5514 | 1940 | 9.7 | 2.8 | 27800 | 1510 | 18.3 | 9.4 | 48 | 15 | 1.862 | 30.51 |
| H82J223DBF | 575/3/60 | 22400 | 6563 | 2170 | 10.3 | 3.0 | 32500 | 1740 | 18.6 | 2.7 | 26 | 6 | 1.862 | 30.51 |
| H82J223DBL | 200-220/3/50 | 18800 | 5479 | 1870 | 10 | 2.9 | 27000 | 1480 | 18.2 | 7.3 | 64 | 15 | 1.862 | 30.51 |
| H82J223DBL | 200-230/3/60 | 22400 | 6563 | 2170 | 10.3 | 3.0 | 32500 | 1740 | 18.6 | 6.9 | 63 | 12.7 | 1.862 | 30.51 |
| H82J223DBV | 380-415/3/50 | 18800 | 5479 | 1870 | 10.0 | 2.9 | 27000 | 1480 | 18.2 | 3.6 | 30 | 7.5 | 1.862 | 30.51 |
| H82J223DBV | 380-460/3/60 | 22400 | 6549 | 2170 | 10.3 | 3.0 | 32500 | 1740 | 18.6 | 3.6 | 30 | 6.5 | 1.862 | 30.51 |
| H82J24*ABC | 208-230/1/60 | 24300 | 7120 | 2330 | 10.4 | 3.0 | 34500 | 1840 | 18.7 | 10.6 | 54 | 17 | 1.975 | 32.36 |
| H82J26*ABC | 208-230/1/60 | 26200 | 7676 | 2490 | 10.5 | 3.1 | 37100 | 1970 | 18.9 | 11.6 | 74 | 20.5 | 2.097 | 34.36 |
| H82J263ABH | 265/1/60 | 26200 | 7677 | 2490 | 10.5 | 3.1 | 37100 | 1970 | 18.9 | 9.9 | 67 | 17.7 | 2.097 | 34.36 |
| H82J263ABH | 220-240/1/50 | 22200 | 6504 | 2170 | 10.2 | 3.0 | 31100 | 1680 | 18.6 | 10.4 | 64 | 17.0 | 2.097 | 34.36 |
| H82J263DBF | 575/3/60 | 26100 | 7647 | 2480 | 10.5 | 3.1 | 37000 | 1960 | 18.9 | 2.9 | 28 | 5.5 | 2.097 | 34.36 |
| H82J263DBL | 200-220/3/50 | 22300 | 6519 | 2160 | 10.3 | 3.0 | 31300 | 1680 | 18.7 | 7.5 | 70 | 13 | 2.097 | 34.36 |
| H82J263DBL | 200-230/3/60 | 26100 | 7630 | 2480 | 10.5 | 3.1 | 37000 | 1960 | 18.9 | 7.4 | 68 | 13.5 | 2.097 | 34.36 |
| H82J263DBV | 380-415/3/50 | 22300 | 6519 | 2160 | 10.3 | 3.0 | 31300 | 1680 | 18.7 | 3.9 | 35 | 7 | 2.097 | 34.36 |
| H82J263DBV | 380-460/3/60 | 26100 | 7630 | 2480 | 10.5 | 3.1 | 37000 | 1960 | 18.9 | 3.8 | 34 | 7.1 | 2.097 | 34.36 |

Data Subject to Revision

* In model number signifies models that are available with Bleed and Without Bleed
 Example H82J35BABC -With Bleed
 H82J353ABC - With out Bleed

| Model | Oil Charge | | Weight Net Ship | | | | ELECTRICAL START COMPONENTS | | | DIMENSIONS | | | | | |
|-------|------------|---|-----------------|----|-----|----|-----------------------------|-----------------|-------|------------|----|----|----|----|----|
| | | | | | | | Run Capacitor | Start Capacitor | G.E. | A | | B | | C | |
| | OZ | L | Lbs | Kg | Lbs | Kg | MFD/VOLTS | MFD/VOLTS | Relay | IN | MM | IN | MM | IN | MM |

| | | | | | | | | | | | | | | | |
|------------|----|----|------|------|------|------|--------|-------------|------------|-------|--------|-------|--------|-------|--------|
| H82J09*ABC | 30 | .9 | 58.5 | 26.5 | 62.0 | 28.1 | 35/370 | 88-108/330 | 3ARR3*3T* | 13.50 | 342.90 | 14.30 | 363.22 | 14.50 | 368.30 |
| H82J13*ABC | 30 | .9 | 58.5 | 26.5 | 62.0 | 28.0 | 30/370 | 145-175/370 | 3ARR3*3T* | 11.74 | 298.07 | 14.25 | 361.95 | 14.53 | 369.09 |
| H82J15*ABC | 30 | .9 | 58.5 | 26.5 | 62.0 | 28.0 | 30/370 | 145-175/330 | 3ARR3*3T* | 11.74 | 298.07 | 14.25 | 361.95 | 14.53 | 369.09 |
| H82J153ABH | 30 | .9 | 63.5 | 29.0 | 67.0 | 30.0 | 30/440 | 145-175/330 | 3ARR3*3V* | 11.74 | 298.07 | 14.25 | 361.95 | 14.53 | 369.09 |
| H82J153ABH | 30 | .9 | 63.5 | 29.0 | 67.0 | 30.0 | 35/370 | 145-175/250 | 3ARR3*3AP* | 11.74 | 298.07 | 14.25 | 361.95 | 14.53 | 369.09 |
| H82J18*ABC | 30 | .9 | 58.5 | 26.5 | 62.0 | 28.0 | 35/370 | 145-175/330 | 3ARR3*3T* | 11.74 | 298.07 | 14.25 | 361.95 | 14.53 | 369.09 |
| H82J183ABH | 30 | .9 | 63.5 | 29.0 | 67.0 | 30.0 | 30/440 | 145-175/330 | 3ARR3*3V* | 11.74 | 298.07 | 14.25 | 361.95 | 14.53 | 369.09 |
| H82J183ABH | 30 | .9 | 63.5 | 29.0 | 67.0 | 30.0 | 35/370 | 145-175/250 | 3ARR3*3AP* | 11.74 | 298.07 | 14.25 | 361.95 | 14.53 | 369.09 |
| H82J183DBL | 30 | .9 | 62.5 | 28.3 | 66.0 | 29.9 | N/A | N/A | N/A | 11.70 | 297.00 | 14.25 | 362.00 | 14.50 | 368.00 |
| H82J183DBL | 30 | .9 | 62.5 | 28.3 | 66.0 | 29.9 | N/A | N/A | N/A | 11.70 | 297.00 | 14.25 | 362.00 | 14.50 | 368.00 |
| H82J183DBV | 30 | .9 | 62.5 | 29.0 | 66.0 | 29.0 | N/A | N/A | N/A | 11.74 | 298.07 | 14.25 | 361.95 | 14.53 | 369.09 |
| H82J183DBV | 30 | .9 | 62.5 | 29.0 | 66.0 | 29.0 | N/A | N/A | N/A | 11.74 | 298.07 | 14.25 | 361.95 | 14.53 | 369.09 |
| H82J19*ABC | 30 | .9 | 58.5 | 26.5 | 62.0 | 28.0 | 35/370 | 145-175/330 | 3ARR3*3T* | 11.74 | 298.07 | 14.25 | 361.95 | 14.53 | 369.09 |
| H82J193DBL | 30 | .9 | 62.5 | 29.0 | 66.0 | 29.0 | N/A | N/A | N/A | 11.74 | 298.07 | 14.25 | 361.95 | 14.53 | 369.09 |
| H82J193DBL | 30 | .9 | 62.5 | 29.0 | 66.0 | 29.0 | N/A | N/A | N/A | 14.53 | 369.09 | 14.25 | 361.95 | 11.74 | 298.07 |
| H82J193DBV | 30 | .9 | 62.5 | 28.3 | 66.0 | 29.9 | N/A | N/A | N/A | 11.70 | 297.18 | 14.30 | 363.22 | 14.50 | 368.30 |
| H82J193DBV | 30 | .9 | 62.5 | 29.0 | 66.0 | 29.0 | N/A | N/A | N/A | 11.74 | 298.07 | 14.25 | 361.95 | 14.53 | 369.09 |
| H82J21*ABC | 30 | .9 | 61.0 | 28.0 | 64.5 | 29.0 | 35/370 | 145-175/330 | 3ARR3*3N* | 12.24 | 310.77 | 14.75 | 374.65 | 15.03 | 381.79 |
| H82J213ABH | 30 | .9 | 63.5 | 29.0 | 67.0 | 30.0 | 30/440 | 145-175/330 | 3ARR3*3V* | 11.74 | 298.07 | 14.25 | 361.95 | 14.53 | 369.09 |
| H82J213ABH | 30 | .9 | 63.5 | 29.0 | 67.0 | 30.0 | 35/370 | 145-175/250 | 3ARR3*3AP* | 11.74 | 298.07 | 14.25 | 361.95 | 14.53 | 369.09 |
| H82J213DBF | 30 | .9 | 62.5 | 29.0 | 66.0 | 29.0 | N/A | N/A | N/A | 11.74 | 298.07 | 14.25 | 361.95 | 14.53 | 369.09 |
| H82J213DBL | 30 | .9 | 62.5 | 29.0 | 66.0 | 29.0 | N/A | N/A | N/A | 11.74 | 298.07 | 14.25 | 361.95 | 14.53 | 369.09 |
| H82J213DBL | 30 | .9 | 62.5 | 29.0 | 66.0 | 29.0 | N/A | N/A | N/A | 11.74 | 298.07 | 14.25 | 361.95 | 14.53 | 369.09 |
| H82J213DBV | 30 | .9 | 62.5 | 29.0 | 66.0 | 29.0 | N/A | N/A | N/A | 11.74 | 298.07 | 14.25 | 361.95 | 14.53 | 369.09 |
| H82J213DBV | 30 | .9 | 62.5 | 29.0 | 66.0 | 29.0 | N/A | N/A | N/A | 11.74 | 298.07 | 14.25 | 361.95 | 14.53 | 369.09 |
| H82J22*ABC | 30 | .9 | 61.0 | 28.0 | 64.5 | 29.0 | 35/370 | 145-175/330 | 3ARR3*3N* | 12.24 | 310.77 | 14.75 | 374.65 | 15.03 | 381.79 |
| H82J223ABH | 30 | .9 | 63.5 | 29.0 | 67.0 | 30.0 | 30/440 | 145-175/330 | 3ARR3*3V* | 11.74 | 298.07 | 14.25 | 361.95 | 14.53 | 369.09 |
| H82J223ABH | 30 | .9 | 63.5 | 29.0 | 67.0 | 30.0 | 35/370 | 145-175/250 | 3ARR3*3AP* | 11.74 | 298.07 | 14.25 | 361.95 | 14.53 | 369.09 |
| H82J223DBF | 30 | .9 | 62.5 | 29.0 | 66.0 | 29.0 | N/A | N/A | N/A | 11.74 | 298.07 | 14.25 | 361.95 | 14.53 | 369.09 |
| H82J223DBL | 30 | .9 | 62.5 | 29.0 | 66.0 | 29.0 | N/A | N/A | N/A | 11.74 | 298.07 | 14.25 | 361.95 | 14.53 | 369.09 |
| H82J223DBL | 30 | .9 | 62.5 | 29.0 | 66.0 | 29.0 | N/A | N/A | N/A | 11.74 | 298.07 | 14.25 | 361.95 | 14.53 | 369.09 |
| H82J223DBV | 30 | .9 | 62.5 | 29.0 | 66.0 | 29.0 | N/A | N/A | N/A | 11.74 | 298.07 | 14.25 | 361.95 | 14.53 | 369.09 |
| H82J223DBV | 30 | .9 | 62.5 | 29.0 | 66.0 | 29.0 | N/A | N/A | N/A | 11. | | | | | |

H82J SERIES

| Model | Volts Phase Hz | @45/130 | | | | | @45/100 | | | | | Electrical Data | | | Displacement | |
|-------|----------------|----------|-------|-------------------|---------|-----|----------|-------------------|-----|-----|-----|-----------------|---------|---------|--------------|--------|
| | | Capacity | | Motor Input WATTS | EER/COP | | Capacity | Motor Input WATTS | EER | RLA | LRA | MCC | IN3/REV | CM3/REV | | |
| | | BTU/H | WATTS | | BTU/WH | W/W | | | | | | | | | BTU/H | BTU/WH |

H82J SERIES (R410A)

| | | | | | | | | | | | | | | |
|------------|--------------|-------|-------|------|------|-----|-------|------|------|------|----|------|-------|-------|
| H82J27*ABC | 208-230/1/60 | 27100 | 7940 | 2570 | 10.5 | 3.1 | 38300 | 2030 | 18.9 | 11.8 | 74 | 20.5 | 2.144 | 35.13 |
| H82J273DBF | 575/3/60 | 26900 | 7881 | 2560 | 10.5 | 3.1 | 38200 | 2020 | 18.9 | 3 | 28 | 6 | 2.144 | 35.13 |
| H82J273DBL | 200-220/3/50 | 22800 | 6673 | 2190 | 10.4 | 3.0 | 31800 | 1700 | 18.7 | 7.6 | 70 | 13.5 | 2.144 | 35.13 |
| H82J273DBV | 200-230/3/60 | 26900 | 7876 | 2560 | 10.5 | 3.1 | 38200 | 2020 | 18.9 | 7.7 | 68 | 13.5 | 2.144 | 35.13 |
| H82J273DBV | 380-415/3/50 | 22800 | 6673 | 2190 | 10.4 | 3.0 | 31800 | 1700 | 18.7 | 3.9 | 35 | 7 | 2.144 | 35.13 |
| H82J273DBV | 380-460/3/60 | 26900 | 7876 | 2560 | 10.5 | 3.1 | 38200 | 2020 | 18.9 | 3.7 | 34 | 7 | 2.144 | 35.13 |
| H82J28*ABC | 208-230/1/60 | 28100 | 8233 | 2680 | 10.5 | 3.1 | 39900 | 2110 | 18.9 | 13 | 74 | 23 | 2.219 | 36.36 |
| H82J283ABH | 265/1/60 | 28100 | 8233 | 2680 | 10.5 | 3.1 | 39900 | 2110 | 18.9 | 10.5 | 67 | 18 | 2.219 | 36.36 |
| H82J283ABH | 220-240/1/50 | 23900 | 7003 | 2310 | 10.3 | 3.0 | 33400 | 1790 | 18.7 | 11.2 | 64 | 17.9 | 2.219 | 36.36 |
| H82J283DBF | 575/3/60 | 28000 | 8204 | 2670 | 10.5 | 3.1 | 38700 | 2110 | 18.9 | 3.1 | 28 | 6 | 2.219 | 36.36 |
| H82J283DBL | 200-220/3/50 | 23800 | 6948 | 2280 | 10.4 | 3.0 | 33300 | 1770 | 18.8 | 7.9 | 70 | 14.5 | 2.219 | 36.36 |
| H82J283DBL | 200-230/3/60 | 28000 | 8214 | 2670 | 10.5 | 3.1 | 39700 | 2110 | 18.9 | 7.8 | 68 | 14.2 | 2.219 | 36.36 |
| H82J283DBV | 380-415/3/50 | 23800 | 6948 | 2280 | 10.4 | 3.0 | 33300 | 1770 | 18.8 | 4 | 35 | 7 | 2.219 | 36.36 |
| H82J283DBV | 380-460/3/60 | 28000 | 8214 | 2670 | 10.5 | 3.1 | 39700 | 2110 | 18.9 | 3.9 | 34 | 7 | 2.219 | 36.36 |
| H82J29*ABC | 208-230/1/60 | 29400 | 8614 | 2790 | 10.5 | 3.1 | 41600 | 2200 | 18.9 | 12.9 | 74 | 20 | 2.313 | 37.90 |
| H82J293ABH | 220-240/1/50 | 25100 | 7313 | 2430 | 10.3 | 3.0 | 35200 | 1880 | 18.7 | 11.4 | 64 | 18.4 | 2.313 | 37.90 |
| H82J293ABH | 265/1/60 | 29400 | 8614 | 2790 | 10.5 | 3.1 | 41600 | 2200 | 18.9 | 11.3 | 67 | 19.2 | 2.313 | 37.90 |
| H82J293DBF | 575/3/60 | 29200 | 8555 | 2780 | 10.5 | 3.1 | 41400 | 2200 | 18.9 | 3.2 | 28 | 6 | 2.313 | 37.90 |
| H82J293DBL | 200-220/3/50 | 25100 | 7313 | 2400 | 10.4 | 3.0 | 35100 | 1860 | 18.8 | 8.2 | 70 | 14.5 | 2.313 | 37.90 |
| H82J293DBL | 200-230/3/60 | 29200 | 8553 | 2780 | 10.5 | 3.1 | 41400 | 2200 | 18.9 | 8.3 | 68 | 14.5 | 2.313 | 37.90 |
| H82J293DBV | 380-415/3/50 | 25100 | 7313 | 2400 | 10.4 | 3.0 | 35100 | 1860 | 18.8 | 4.2 | 35 | 7 | 2.313 | 37.90 |
| H82J293DBV | 380-460/3/60 | 29220 | 8553 | 2780 | 10.5 | 3.1 | 41400 | 2200 | 18.9 | 4.1 | 34 | 7.6 | 2.313 | 37.90 |
| H82J30*ABC | 208-230/1/60 | 30800 | 9024 | 2920 | 10.5 | 3.1 | 43000 | 2280 | 18.9 | 13 | 88 | 25 | 2.369 | 38.83 |
| H82J303DBF | 575/3/60 | 30700 | 8995 | 2910 | 10.5 | 3.1 | 42800 | 2270 | 18.9 | 3.5 | 28 | 6 | 2.369 | 38.83 |
| H82J303DBL | 200-220/3/50 | 25600 | 7501 | 2460 | 10.4 | 3.0 | 35900 | 1910 | 18.8 | 8.3 | 70 | 14.7 | 2.369 | 38.83 |
| H82J303DBL | 200-230/3/60 | 30700 | 8995 | 2910 | 10.5 | 3.1 | 42800 | 2270 | 18.9 | 8.6 | 68 | 14.5 | 2.369 | 38.83 |
| H82J303DBV | 380-415/3/50 | 25600 | 7501 | 2460 | 10.4 | 3.0 | 35900 | 1910 | 18.8 | 4.3 | 33 | 7.4 | 2.369 | 38.83 |
| H82J303DBV | 380-460/3/60 | 30700 | 8995 | 2910 | 10.5 | 3.1 | 42800 | 2270 | 18.9 | 4.2 | 34 | 7.7 | 2.369 | 38.83 |
| H82J32*ABC | 208-230/1/60 | 32200 | 9434 | 3060 | 10.5 | 3.1 | 45000 | 2380 | 18.9 | 13.6 | 88 | 24.5 | 2.463 | 40.36 |
| H82J323ABH | 265/1/60 | 32200 | 9434 | 3060 | 10.5 | 3.1 | 45000 | 2380 | 18.9 | 12 | 67 | 19.8 | 2.463 | 40.36 |
| H82J323ABH | 220-240/1/50 | 27000 | 7911 | 2590 | 10.4 | 3.0 | 37800 | 2000 | 18.8 | 12.8 | 64 | 18.9 | 2.463 | 40.36 |
| H82J323DBF | 575/3/60 | 32100 | 9405 | 3050 | 10.5 | 3.1 | 44800 | 2370 | 18.9 | 3.5 | 28 | 6 | 2.463 | 40.36 |
| H82J323DBL | 200-220/3/50 | 27000 | 7907 | 2570 | 10.5 | 3.1 | 37700 | 2000 | 18.9 | 8.6 | 70 | 15 | 2.463 | 40.36 |
| H82J323DBL | 200-230/3/60 | 32100 | 9405 | 3050 | 10.5 | 3.1 | 44800 | 2370 | 18.9 | 8.8 | 68 | 14.5 | 2.463 | 40.36 |
| H82J323DBV | 380-415/3/50 | 27000 | 7907 | 2570 | 10.5 | 3.1 | 37700 | 2000 | 18.9 | 4.5 | 35 | 7.5 | 2.463 | 40.36 |
| H82J323DBV | 380-460/3/60 | 32100 | 9405 | 3050 | 10.5 | 3.1 | 44800 | 2370 | 18.9 | 4.4 | 34 | 8 | 2.463 | 40.36 |
| H82J33*ABC | 208-230/1/60 | 33400 | 9786 | 3190 | 10.4 | 3.0 | 47400 | 2490 | 19.1 | 14.2 | 84 | 23 | 2.614 | 42.83 |
| H82J333DBF | 575/3/60 | 32900 | 9640 | 3160 | 10.4 | 3.0 | 46700 | 2460 | 19.0 | 3.9 | 36 | 6.1 | 2.614 | 42.83 |
| H82J333DBL | 200-220/3/50 | 28400 | 8345 | 2820 | 10.1 | 3.0 | 40300 | 2190 | 18.4 | 11.1 | 94 | 17 | 2.614 | 42.83 |
| H82J333DBL | 200-230/3/60 | 32900 | 9629 | 3160 | 10.4 | 3.0 | 46700 | 2460 | 19.0 | 10 | 88 | 16.5 | 2.614 | 42.83 |
| H82J333DBV | 380-415/3/50 | 28400 | 8345 | 2820 | 10.1 | 3.0 | 40300 | 2190 | 18.4 | 5.1 | 43 | 8.6 | 2.614 | 42.83 |
| H82J333DBV | 380-460/3/60 | 32900 | 9629 | 3160 | 10.4 | 3.0 | 46700 | 2460 | 19.0 | 5 | 44 | 8.5 | 2.614 | 42.83 |
| H82J35*ABC | 208-230/1/60 | 34800 | 10196 | 3320 | 10.5 | 3.1 | 49500 | 2580 | 19.1 | 14.5 | 84 | 25 | 2.727 | 42.83 |

Data Subject to Revision

* In model number signifies models that are available with Bleed and Without Bleed
 Example H82J35BABC - With Bleed
 H82J353ABC - With out Bleed

| Model | Oil Charge | L | Weight | | | | ELECTRICAL START COMPONENTS | | | DIMENSIONS | | | | | |
|-------|------------|---|--------|------|---------------|-----------------|-----------------------------|-----|----|------------|-----------|-------|----|----|----|
| | | | Net | Ship | Run Capacitor | Start Capacitor | G.E. | A | | B | | C | | | |
| | | | | | | | | Lbs | Kg | MFD/VOLTS | MFD/VOLTS | Relay | IN | MM | IN |

| | | | | | | | | | | | | | | | |
|------------|----|-----|------|------|------|------|--------|-------------|------------|-------|--------|-------|--------|-------|--------|
| H82J27*ABC | 35 | 1.0 | 69.0 | 31.0 | 72.5 | 33.0 | 40/370 | 189-227/250 | 3ARR3*3L* | 12.24 | 310.77 | 14.75 | 374.65 | 15.03 | 381.79 |
| H82J273DBF | 35 | 1.0 | 68.5 | 31.0 | 72.0 | 33.0 | N/A | N/A | N/A | 12.49 | 317.12 | 15.00 | 381.00 | 15.28 | 388.14 |
| H82J273DBL | 35 | 1.0 | 68.5 | 31.0 | 72.0 | 33.0 | N/A | N/A | N/A | 12.49 | 317.12 | 15.00 | 381.00 | 15.28 | 388.14 |
| H82J273DBL | 35 | 1.0 | 68.5 | 31.0 | 72.0 | 33.0 | N/A | N/A | N/A | 12.49 | 317.12 | 15.00 | 381.00 | 15.28 | 388.14 |
| H82J273DBV | 35 | 1.0 | 68.5 | 31.0 | 72.0 | 33.0 | N/A | N/A | N/A | 12.49 | 317.12 | 15.00 | 381.00 | 15.28 | 388.14 |
| H82J273DBV | 35 | 1.0 | 68.5 | 31.0 | 72.0 | 33.0 | N/A | N/A | N/A | 12.49 | 317.12 | 15.00 | 381.00 | 15.28 | 388.14 |
| H82J28*ABC | 35 | 1.0 | 69.0 | 31.0 | 72.5 | 33.0 | 40/370 | 189-227/250 | 3ARR3*3L* | 12.24 | 310.77 | 14.75 | 374.65 | 15.03 | 381.79 |
| H82J283ABH | 35 | 1.0 | 69.0 | 31.0 | 72.5 | 33.0 | 35/440 | 145-175/330 | 3ARR3*3R* | 12.24 | 310.77 | 14.75 | 374.65 | 15.03 | 381.79 |
| H82J283ABH | 35 | 1.0 | 69.0 | 31.3 | 72.5 | 32.9 | 45/370 | 163-193/250 | 3ARR3*3AM* | 12.20 | 309.88 | 14.80 | 375.92 | 15.00 | 381.00 |
| H82J283DBF | 35 | 1.0 | 68.5 | 31.0 | 72.0 | 33.0 | N/A | N/A | N/A | 12.49 | 317.12 | 15.00 | 381.00 | 15.28 | 388.14 |
| H82J283DBL | 35 | 1.0 | 68.5 | 31.0 | 72.0 | 33.0 | N/A | N/A | N/A | 12.49 | 317.12 | 15.00 | 381.00 | 15.28 | 388.14 |
| H82J283DBL | 35 | 1.0 | 68.5 | 31.0 | 72.0 | 33.0 | N/A | N/A | N/A | 12.49 | 317.12 | 15.00 | 381.00 | 15.28 | 388.14 |
| H82J283DBV | 35 | 1.0 | 68.5 | 31.0 | 72.0 | 33.0 | N/A | N/A | N/A | 12.49 | 317.12 | 15.00 | 381.00 | 15.28 | 388.14 |
| H82J283DBV | 35 | 1.0 | 68.5 | 31.0 | 72.0 | 33.0 | N/A | N/A | N/A | 12.49 | 317.12 | 15.00 | 381.00 | 15.28 | 388.14 |
| H82J29*ABC | 35 | 1.0 | 69.0 | 31.0 | 72.5 | 33.0 | 40/370 | 189-227/250 | 3ARR3*3L* | 12.24 | 310.77 | 14.75 | 374.65 | 15.03 | 381.79 |
| H82J293ABH | 35 | 1.0 | 69.0 | 31.0 | 72.5 | 33.0 | 55/370 | 163-193/250 | 3ARR3*3AM* | 12.24 | 310.77 | 14.75 | 374.65 | 15.03 | 381.79 |
| H82J293ABH | 35 | 1.0 | 69.0 | 31.0 | 72.5 | 33.0 | 35/370 | 145-175/330 | 3ARR3*3R* | 12.24 | 310.77 | 14.75 | 374.65 | 15.03 | 381.79 |
| H82J293DBF | 35 | 1.0 | 68.5 | 31.0 | 72.0 | 33.0 | N/A | N/A | N/A | 12.49 | 317.12 | 15.00 | 381.00 | 15.28 | 388.14 |
| H82J293DBL | 35 | 1.0 | 68.5 | 31.0 | 72.0 | 33.0 | N/A | N/A | N/A | 12.49 | 317.12 | 15.00 | 381.00 | 15.28 | 388.14 |
| H82J293DBL | 35 | 1.0 | 68.5 | 31.0 | 72.0 | 33.0 | N/A | N/A | N/A | 12.49 | 317.12 | 15.00 | 381.00 | 15.28 | 388.14 |
| H82J293DBV | 35 | 1.0 | 68.5 | 31.0 | 72.0 | 33.0 | N/A | N/A | N/A | 12.49 | 317.12 | 15.00 | 381.00 | 15.28 | 388.14 |
| H82J293DBV | 35 | 1.0 | 68.5 | 31.0 | 72.0 | 33.0 | N/A | N/A | N/A | 12.49 | 317.12 | 15.00 | 381.00 | 15.28 | 388.14 |
| H82J30*ABC | 35 | 1.0 | 71.0 | 32.0 | 74.5 | 33.0 | 45/370 | 189-227/250 | 3ARR3*3S* | 12.49 | 317.12 | 15.00 | 381.00 | 15.28 | 388.14 |
| H82J303DBF | 35 | 1.0 | 68.5 | 31.1 | 72.0 | 32.7 | N/A | N/A | N/A | 12.50 | 317.50 | 15.00 | 381.00 | 15.30 | 388.62 |
| H82J303DBL | 35 | 1.0 | 68.5 | 31.1 | 72.0 | 32.7 | N/A | N/A | N/A | 12.50 | 317.50 | 15.00 | 381.00 | 15.28 | 388.62 |
| H82J303DBL | 35 | 1.0 | 68.5 | 31.1 | 72.0 | 32.7 | N/A | N/A | N/A | 12.50 | 317.50 | 15.00 | 381.00 | 15.28 | 388.62 |
| H82J303DBV | 35 | 1.0 | 68.5 | 31.1 | 72.0 | 32.7 | N/A | N/A | N/A | 12.50 | 317.50 | 15.00 | 381.00 | 15.28 | 388.62 |
| H82J303DBV | 35 | 1.0 | 68.5 | 31.1 | 72.0 | 32.7 | N/A | N/A | N/A | 12.50 | 317.50 | 15.00 | 381.00 | 15.30 | 388.62 |
| H82J32*ABC | 35 | 1.0 | 71.0 | 32.0 | 74.5 | 33.0 | 45/370 | 189-227/250 | 3ARR3*3S* | 12.49 | 317.12 | 15.00 | 381.00 | 15.28 | 388.14 |
| H82J323ABH | 35 | 1.0 | 69.0 | 31.3 | 72.5 | 32.9 | 35/370 | 145-175/330 | N/A | 12.20 | 309.88 | 14.80 | 375.92 | 15.03 | 381.79 |
| H82J323ABH | 35 | 1.0 | 69.0 | 31.3 | 72.5 | 32.9 | 55/370 | 163-193/250 | 3ARR3*3AM* | 12.20 | 309.88 | 14.80 | 375.92 | 15.00 | 381.00 |
| H82J323DBF | 35 | 1.0 | 68.5 | 31.0 | 72.0 | 33 | | | | | | | | | |

H82J SERIES

| Model | Volts Phase Hz | @45/130 | | | | | @45/100 | | | | | Electrical Data | | | Displacement | |
|-------|----------------|----------|-------|-------------------|---------|-----|----------|-------------------|-----|-----|-----|-----------------|---------|---------|--------------|--------|
| | | Capacity | | Motor Input WATTS | EER/COP | | Capacity | Motor Input WATTS | EER | RLA | LRA | MCC | IN3/REV | CM3/REV | | |
| | | BTU/H | WATTS | | BTU/WH | W/W | | | | | | | | | BTU/H | BTU/WH |

H82J SERIES (R410A)

| | | | | | | | | | | | | | | |
|------------|--------------|-------|-------|------|------|-----|-------|------|------|------|-----|------|-------|-------|
| H82J353DBF | 575/3/60 | 34500 | 10108 | 3300 | 10.5 | 3.1 | 49000 | 2570 | 19.1 | 4 | 36 | 7.5 | 2.727 | 44.68 |
| H82J353DBL | 200-220/3/50 | 29700 | 8727 | 2920 | 10.2 | 3.0 | 42100 | 2270 | 18.5 | 11.2 | 94 | 17.6 | 2.727 | 44.68 |
| H82J353DBL | 200-230/3/60 | 34500 | 10152 | 3300 | 10.5 | 3.1 | 49000 | 2570 | 19.1 | 10.2 | 88 | 18.5 | 2.727 | 44.68 |
| H82J353DBV | 380-415/3/50 | 29700 | 8727 | 2920 | 10.2 | 3.0 | 42100 | 2720 | 18.5 | 5.3 | 44 | 8.1 | 2.727 | 44.68 |
| H82J353DBV | 380-460/3/60 | 34500 | 10152 | 3300 | 10.5 | 3.1 | 49000 | 2570 | 19.1 | 5.1 | 44 | 8.1 | 2.727 | 44.68 |
| H82J37*ABC | 208-230/1/60 | 37600 | 11016 | 3600 | 10.4 | 3.0 | 53400 | 2810 | 19.0 | 15.7 | 84 | 24.5 | 2.915 | 47.76 |
| H82J373ABH | 265/1/60 | 37400 | 10958 | 3600 | 10.4 | 3.0 | 53100 | 2800 | 19.0 | 13.8 | 81 | 25.5 | 2.915 | 47.76 |
| H82J373ABH | 220-240/1/50 | 31200 | 9111 | 2990 | 10.4 | 3.0 | 44300 | 2330 | 19.0 | 5.1 | 80 | 23.1 | 2.915 | 47.76 |
| H82J373DBF | 575/3/60 | 37400 | 10958 | 3600 | 10.4 | 3.0 | 53100 | 2800 | 19.0 | 4.4 | 36 | 7 | 2.915 | 47.76 |
| H82J373DBL | 200-220/3/50 | 32700 | 9564 | 3200 | 10.2 | 3.0 | 46400 | 2490 | 18.6 | 11.3 | 94 | 17.4 | 2.915 | 47.76 |
| H82J373DBL | 200-230/3/60 | 37400 | 10970 | 3600 | 10.4 | 3.0 | 53100 | 2800 | 19.0 | 11 | 88 | 17.5 | 2.915 | 47.76 |
| H82J373DBV | 380-415/3/50 | 32700 | 9564 | 3200 | 10.2 | 3.0 | 46400 | 2490 | 18.6 | 5.8 | 43 | 8.1 | 2.915 | 47.76 |
| H82J373DBV | 380-460/3/60 | 37400 | 10970 | 3600 | 10.4 | 3.0 | 53100 | 2800 | 19.0 | 5.6 | 44 | 8 | 2.915 | 47.76 |
| H82J37MABC | 208-230/1/60 | 37800 | 11075 | 3650 | 10.4 | 3.0 | 53000 | 2820 | 18.8 | 15.7 | 84 | 26.0 | 2.915 | 47.76 |
| H82J37MDBF | 575/3/60 | 36700 | 10753 | 3520 | 10.4 | 3.0 | 52900 | 2850 | 18.6 | 4.4 | 36 | 7.0 | 2.915 | 47.76 |
| H82J37MDBL | 200-230/3/60 | 36300 | 10636 | 3450 | 10.5 | 3.1 | 52200 | 2770 | 18.9 | 11.0 | 88 | 17.0 | 2.915 | 47.76 |
| H82J37MDBL | 200-220/3/50 | 31600 | 9259 | 3090 | 10.2 | 3.0 | 44300 | 2410 | 18.4 | 12.0 | 94 | 17.0 | 2.915 | 47.76 |
| H82J37MDBV | 380-460/3/60 | 36300 | 10636 | 3450 | 10.5 | 3.1 | 52200 | 2770 | 18.9 | 5.4 | 44 | 9.2 | 2.915 | 47.76 |
| H82J37MDBV | 380-415/3/50 | 31600 | 9259 | 3090 | 10.2 | 3.0 | 44300 | 2410 | 18.4 | 5.4 | 43 | 9.4 | 2.915 | 47.76 |
| H82J40*ABC | 208-230/1/60 | 39700 | 11631 | 3750 | 10.6 | 3.1 | 55600 | 2930 | 19.0 | 17.9 | 102 | 29 | 3.028 | 53.74 |
| H82J403DBF | 575/3/60 | 39600 | 11603 | 3740 | 10.6 | 3.1 | 55300 | 2910 | 19.0 | 4.4 | 36 | 5.5 | 3.028 | 53.74 |
| H82J403DBL | 200-220/3/50 | 33600 | 9876 | 3210 | 10.5 | 3.1 | 47000 | 2510 | 18.8 | 12 | 90 | 18.4 | 3.028 | 53.74 |
| H82J403DBL | 200-230/3/60 | 39600 | 11616 | 3740 | 10.6 | 3.1 | 55300 | 2910 | 19.0 | 11.3 | 88 | 19 | 3.028 | 53.74 |
| H82J403DBV | 380-415/3/50 | 33600 | 9876 | 3210 | 10.5 | 3.1 | 47000 | 2510 | 18.8 | 5.7 | 43 | 8.5 | 3.028 | 53.74 |
| H82J403DBV | 380-460/3/60 | 39600 | 11616 | 3740 | 10.6 | 3.1 | 55300 | 2910 | 19.0 | 5.5 | 44 | 9 | 3.028 | 53.74 |
| H82J42*ABC | 208-230/1/60 | 42100 | 12335 | 3950 | 10.7 | 3.1 | 58200 | 3060 | 19.0 | 18.3 | 102 | 27 | 3.116 | 51.06 |
| H82J423DBF | 575/3/60 | 41300 | 12101 | 3890 | 10.6 | 3.1 | 58100 | 3060 | 19.0 | 4.6 | 36 | 7.3 | 3.116 | 51.06 |
| H82J423DBL | 200-220/3/50 | 35800 | 10489 | 3370 | 10.6 | 3.1 | 48700 | 2580 | 18.9 | 12.7 | 90 | 17 | 3.116 | 51.06 |
| H82J423DBL | 200-230/3/60 | 41300 | 12101 | 3920 | 10.5 | 3.1 | 58500 | 3090 | 18.9 | 11.8 | 88 | 17 | 3.116 | 51.06 |
| H82J423DBV | 380-415/3/50 | 35800 | 10489 | 3370 | 10.6 | 3.1 | 48700 | 2580 | 18.9 | 6 | 45 | 10.1 | 3.116 | 51.06 |
| H82J423DBV | 380-460/3/60 | 41300 | 12101 | 3920 | 10.5 | 3.1 | 58500 | 3090 | 18.9 | 5.9 | 44 | 11 | 3.116 | 51.06 |
| H82J44*ABC | 208-230/1/60 | 44000 | 12891 | 4170 | 10.6 | 3.1 | 60400 | 3180 | 19.0 | 18.5 | 105 | 31 | 3.274 | 53.64 |
| H82J443DBF | 575/3/60 | 43300 | 12687 | 4110 | 10.5 | 3.1 | 60500 | 3190 | 19.0 | 4.7 | 36 | 6.8 | 3.274 | 53.64 |
| H82J443DBL | 200-220/3/50 | 37600 | 11017 | 3630 | 10.4 | 3.0 | 51600 | 2740 | 18.8 | 13.1 | 92 | 21.6 | 3.274 | 53.64 |
| H82J443DBL | 200-230/3/60 | 43300 | 12687 | 4110 | 10.5 | 3.1 | 60500 | 3190 | 19.0 | 12.5 | 88 | 22 | 3.274 | 53.64 |
| H82J443DBV | 380-415/3/50 | 37600 | 11017 | 3630 | 10.4 | 3.0 | 51600 | 2740 | 18.8 | 6.4 | 45 | 10.1 | 3.274 | 53.64 |
| H82J443DBV | 380-460/3/60 | 43300 | 12687 | 4110 | 10.5 | 3.1 | 60500 | 3190 | 19.0 | 6.1 | 44 | 11 | 3.274 | 53.64 |
| H82J46*ABC | 208-230/1/60 | 45800 | 13419 | 4350 | 10.5 | 3.1 | 63500 | 3340 | 19.0 | 20.2 | 105 | 33 | 3.380 | 55.38 |
| H82J463DBF | 575/3/60 | 45400 | 13302 | 4270 | 10.6 | 3.1 | 62800 | 3320 | 18.9 | 5.1 | 36 | 7.5 | 3.380 | 55.38 |
| H82J463DBL | 200-220/3/50 | 39400 | 11544 | 3800 | 10.4 | 3.0 | 53600 | 2840 | 18.8 | 13.1 | 92 | 21.1 | 3.380 | 55.38 |
| H82J463DBL | 200-230/3/60 | 45400 | 13302 | 4270 | 10.6 | 3.1 | 62800 | 3320 | 18.9 | 12.9 | 88 | 22 | 3.380 | 55.38 |
| H82J463DBV | 380-415/3/50 | 39400 | 11544 | 3800 | 10.4 | 3.0 | 53600 | 2840 | 18.8 | 6.9 | 54 | 11.1 | 3.380 | 55.38 |
| H82J463DBV | 380-460/3/60 | 45400 | 13302 | 4270 | 10.6 | 3.1 | 62800 | 3320 | 18.9 | 6.7 | 55 | 12 | 3.380 | 55.38 |

Data Subject to Revision

* In model number signifies models that are available with Bleed and Without Bleed
 Example H82J35BABC -With Bleed
 H82J353ABC - With out Bleed

| Model | Oil Charge | L | Weight Net Ship | | | | ELECTRICAL START COMPONENTS | | | DIMENSIONS | | | | | |
|-------|------------|---|-----------------|----|-----|----|-----------------------------|-----------------|------|------------|-----------|-------|----|----|----|
| | | | Lbs | Kg | Lbs | Kg | Run Capacitor | Start Capacitor | G.E. | A | | B | | C | |
| | | | | | | | | | | MFD/VOLTS | MFD/VOLTS | Relay | IN | MM | IN |

| | | | | | | | | | | | | | | | |
|------------|----|-----|------|------|------|------|--------|-------------|-------------|-------|--------|-------|--------|-------|--------|
| H82J353DBF | 40 | 1.1 | 85.5 | 39.0 | 88.5 | 40.0 | N/A | N/A | N/A | 14.06 | 357.20 | 15.59 | 366.09 | 15.88 | 403.23 |
| H82J353DBL | 40 | 1.1 | 81.5 | 37.0 | 84.5 | 38.0 | N/A | N/A | N/A | 14.06 | 357.20 | 15.59 | 366.09 | 15.88 | 403.23 |
| H82J353DBL | 40 | 1.1 | 81.5 | 37.0 | 84.5 | 38.0 | N/A | N/A | N/A | 14.06 | 357.20 | 15.59 | 366.09 | 15.88 | 403.23 |
| H82J353DBV | 40 | 1.1 | 85.5 | 39.0 | 88.5 | 40.0 | N/A | N/A | N/A | 14.06 | 357.20 | 15.59 | 366.09 | 15.88 | 403.23 |
| H82J353DBV | 40 | 1.1 | 85.5 | 39.0 | 88.5 | 40.0 | N/A | N/A | N/A | 14.06 | 357.20 | 15.59 | 366.09 | 15.88 | 403.23 |
| H82J37*ABC | 40 | 1.1 | 88.5 | 40.0 | 91.5 | 42.0 | 45/440 | 189-227/250 | 3ARR3*3S* | 14.06 | 357.20 | 15.59 | 396.09 | 15.88 | 403.23 |
| H82J373ABH | 40 | 1.1 | 88.5 | 40.0 | 91.5 | 42.0 | 50/370 | 161-193/250 | 3AN | 14.06 | 357.20 | 15.59 | 396.09 | 15.88 | 403.23 |
| H82J373ABH | 40 | 1.1 | 88.5 | 39.0 | 91.5 | 42.0 | 50/370 | 161-193/250 | 3ARR3*3AN* | 14.06 | 357.20 | 15.59 | 366.09 | 15.88 | 403.23 |
| H82J373DBF | 40 | 1.1 | 85.5 | 39.0 | 88.5 | 40.0 | N/A | N/A | N/A | 14.06 | 357.20 | 15.59 | 366.09 | 15.88 | 403.23 |
| H82J373DBL | 40 | 1.1 | 85.5 | 39.0 | 88.5 | 40.0 | N/A | N/A | N/A | 14.06 | 357.20 | 15.59 | 366.09 | 15.88 | 403.23 |
| H82J373DBL | 40 | 1.1 | 85.5 | 39.0 | 88.5 | 40.0 | N/A | N/A | N/A | 14.06 | 357.20 | 15.59 | 366.09 | 15.88 | 403.23 |
| H82J373DBV | 40 | 1.1 | 85.5 | 39.0 | 88.5 | 40.0 | N/A | N/A | N/A | 14.06 | 357.20 | 15.59 | 366.09 | 15.88 | 403.23 |
| H82J373DBV | 40 | 1.1 | 85.5 | 39.0 | 88.5 | 40.0 | N/A | N/A | N/A | 14.06 | 357.20 | 15.59 | 366.09 | 15.88 | 403.23 |
| H82J37MABC | 40 | 1.1 | 84.0 | 38.1 | 87.0 | 39.5 | 45/370 | 189-227/250 | 3ARR3*3S*() | 14.10 | 358.00 | 15.60 | 396.00 | 15.90 | 404.00 |
| H82J37MDBF | 40 | 1.1 | 81.5 | 37.0 | 84.5 | 38.3 | N/A | N/A | N/A | 14.10 | 358.00 | 15.60 | 396.00 | 15.90 | 404.00 |
| H82J37MDBL | 40 | 1.1 | 82.0 | 37.2 | 85.0 | 38.5 | N/A | N/A | N/A | 14.10 | 358.00 | 15.60 | 396.00 | 15.90 | 404.00 |
| H82J37MDBL | 40 | 1.1 | 82.0 | 37.2 | 85.0 | 38.5 | N/A | N/A | N/A | 14.10 | 358.00 | 15.60 | 396.00 | 15.90 | 404.00 |
| H82J37MDBV | 40 | 1.1 | 82.0 | 37.2 | 85.0 | 38.5 | N/A | N/A | N/A | 14.10 | 358.00 | 15.60 | 396.00 | 15.90 | 404.00 |
| H82J37MDBV | 40 | 1.1 | 82.0 | 37.2 | 85.0 | 38.5 | N/A | N/A | N/A | 14.10 | 358.00 | 15.60 | 396.00 | 15.90 | 404.00 |
| H82J40*ABC | 40 | 1.1 | 88.5 | 40.0 | 91.5 | 42.0 | 55/370 | 189-227/250 | 3ARR3*3S* | 14.06 | 357.20 | 15.59 | 396.09 | 15.88 | 403.23 |
| H82J403DBF | 40 | 1.1 | 85.5 | 39.0 | 88.5 | 40.0 | N/A | N/A | N/A | 14.06 | 357.20 | 15.59 | 366.09 | 15.88 | 403.23 |
| H82J403DBL | 40 | 1.1 | 85.5 | 39.0 | 88.5 | 40.0 | N/A | N/A | N/A | 14.06 | 357.20 | 15.59 | 366.09 | 15.88 | 403.23 |
| H82J403DBL | 40 | 1.1 | 85.5 | 39.0 | 88.5 | 40.0 | N/A | N/A | N/A | 14.06 | 357.20 | 15.59 | 366.09 | 15.88 | 403.23 |
| H82J403DBV | 40 | 1.1 | 85.5 | 39.0 | 88.5 | 40.0 | N/A | N/A | N/A | 14.06 | 357.20 | 15.59 | 366.09 | 15.88 | 403.23 |
| H82J403DBV | 40 | 1.1 | 85.5 | 39.0 | 88.5 | 40.0 | N/A | N/A | N/A | 14.06 | 357.20 | 15.59 | 366.09 | 15.88 | 403.23 |
| H82J42*ABC | 40 | 1.1 | 88.5 | 40.0 | 91.5 | 42.0 | 60/370 | 216-259/330 | 3ARR3*3S* | 14.06 | 357.20 | 15.59 | 396.09 | 15.88 | 403.23 |
| H82J423DBF | 40 | 1.1 | 85.5 | 39.0 | 88.5 | 40.0 | N/A | N/A | N/A | 14.06 | 357.20 | 15.59 | 366.09 | 15.88 | 403.23 |
| H82J423DBL | 40 | 1.1 | 81.5 | 37.0 | 84.5 | 38.3 | N/A | N/A | N/A | 14.00 | 355.60 | 15.60 | 396.24 | 15.88 | 403.86 |
| H82J423DBL | 40 | 1.1 | 81.5 | 37.0 | 84.5 | 38.3 | N/A | N/A | N/A | 14.00 | 355.60 | 15.60 | 396.24 | 15.90 | 403.86 |
| H82J423DBV | 40 | 1.1 | 81.5 | 37.0 | 84.5 | 38.3 | N/A | N/A | N/A | 14.10 | 358.14 | 15.60 | 396.24 | 15.88 | 403.23 |
| H82J423DBV | 40 | 1.1 | 81.5 | 37.0 | 84.5 | 38.3 | N/A | N/A | N/A | 14.00 | 355.60 | 15.60 | 396.24 | 15.90 | 403.86 |
| H82J44*ABC | 40 | 1.1 | 88.5 | 40.0 | 91.5 | 42.0 | 60/370 | 216-259/330 | | | | | | | |

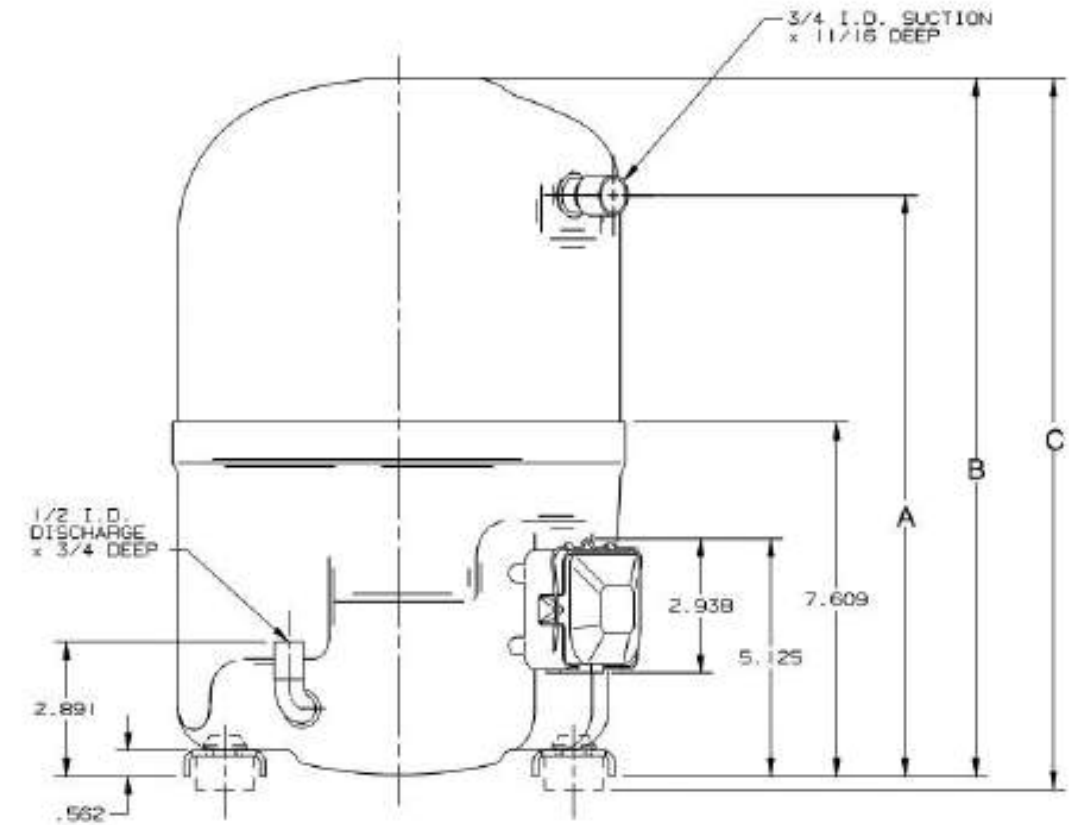
H82J SERIES

| Model | Volts Phase Hz | @45/130 | | | | | @45/100 | | | | | Electrical Data | | | Displacement | |
|----------------------------|----------------|----------|-------|-------------------|---------|-----|----------|-------------------|------|------|-----|-----------------|---------|---------|--------------|--------|
| | | Capacity | | Motor Input WATTS | EER/COP | | Capacity | Motor Input WATTS | EER | RLA | LRA | MCC | IN3/REV | CM3/REV | | |
| | | BTU/H | WATTS | | BTU/WH | W/W | | | | | | | | | BTU/H | BTU/WH |
| H82J SERIES (R410A) | | | | | | | | | | | | | | | | |
| H82J48*ABC | 208-230/1/60 | 48000 | 14064 | 4520 | 10.6 | 3.1 | 66400 | 3560 | 18.7 | 21.4 | 130 | 35.6 | 3.519 | 57.66 | | |
| H82J483DBF | 575/3/60 | 47600 | 13947 | 4490 | 10.6 | 3.1 | 65500 | 3520 | 18.6 | 5.4 | 43 | 8.7 | 3.519 | 57.66 | | |
| H82J483DBL | 200-220/3/50 | 41100 | 12042 | 3980 | 10.3 | 3.0 | 55800 | 3030 | 18.4 | 15.1 | 111 | 21.3 | 3.519 | 57.66 | | |
| H82J483DBL | 200-230/3/60 | 47600 | 13947 | 4490 | 10.6 | 3.1 | 65500 | 3520 | 18.6 | 13.6 | 110 | 21.7 | 3.519 | 57.66 | | |
| H82J483DBV | 380-415/3/50 | 41100 | 12042 | 3980 | 10.3 | 3.0 | 55800 | 3030 | 18.4 | 7 | 54 | 11.4 | 3.519 | 57.66 | | |
| H82J483DBV | 380-460/3/60 | 47600 | 13947 | 4490 | 10.6 | 3.1 | 65500 | 3520 | 18.6 | 6.7 | 55 | 11.5 | 3.519 | 57.66 | | |
| H82J50*ABC | 208-230/1/60 | 50300 | 14738 | 4750 | 10.6 | 3.1 | 68500 | 3680 | 18.6 | 22.5 | 130 | 36 | 3.669 | 60.11 | | |
| H82J503DBF | 575/3/60 | 49800 | 14591 | 4690 | 10.6 | 3.1 | 68200 | 3630 | 18.8 | 5.6 | 43 | 8.9 | 3.669 | 60.11 | | |
| H82J503DBL | 200-220/3/50 | 42900 | 12570 | 4150 | 10.4 | 3.0 | 58600 | 3170 | 18.5 | 15.3 | 111 | 23.1 | 3.669 | 60.11 | | |
| H82J503DBL | 200-230/3/60 | 49800 | 14591 | 4690 | 10.6 | 3.1 | 68200 | 3630 | 18.8 | 14.3 | 110 | 24.6 | 3.669 | 60.11 | | |
| H82J503DBV | 380-415/3/50 | 42900 | 12570 | 4150 | 10.4 | 3.0 | 58600 | 3170 | 18.5 | 7.3 | 54 | 11.7 | 3.669 | 60.11 | | |
| H82J503DBV | 380-460/3/60 | 49800 | 14591 | 4690 | 10.6 | 3.1 | 68200 | 3630 | 18.8 | 7.1 | 55 | 11.5 | 3.669 | 60.11 | | |
| H82J50MDBV | 380-415/3/50 | 41900 | 12277 | 4100 | 10.2 | 3.0 | 57000 | 3110 | 18.3 | 7.3 | 54 | 11.7 | 3.669 | 60.11 | | |
| H82J50MDBV | 380-460/3/60 | 48500 | 14211 | 4690 | 10.3 | 3.0 | 67200 | 3750 | 17.9 | 7.1 | 55 | 11.5 | 3.669 | 60.11 | | |

Data Subject to Revision

* In model number signifies models that are available with Bleed and Without Bleed
 Example H82J35BABC - With Bleed
 H82J353ABC - With out Bleed

| Model | Oil Charge | | Weight | | | | ELECTRICAL START COMPONENTS | | | DIMENSIONS | | | | | |
|------------|------------|-----|--------|------|------|------|-----------------------------|-----------------|-----------|------------|-----------|-------|--------|-------|--------|
| | OZ | L | Net | | Ship | | Run Capacitor | Start Capacitor | G.E. | A | | B | | C | |
| | | | Lbs | Kg | Lbs | Kg | | | | MFD/VOLTS | MFD/VOLTS | Relay | IN | MM | IN |
| H82J48*ABC | 40 | 1.1 | 87.0 | 39.5 | 90.0 | 40.8 | 60/370 | 189-227/330 | 3ARR3*3S* | 14.30 | 363.22 | 15.80 | 401.32 | 16.20 | 411.48 |
| H82J483DBF | 40 | 1.1 | 84.4 | 38.3 | 86.5 | 39.2 | N/A | N/A | N/A | 14.30 | 363.22 | 15.80 | 401.32 | 16.20 | 411.48 |
| H82J483DBL | 40 | 1.1 | 83.5 | 37.9 | 86.5 | 39.2 | N/A | N/A | N/A | 14.30 | 363.22 | 15.80 | 401.32 | 16.20 | 411.48 |
| H82J483DBL | 40 | 1.1 | 83.5 | 37.9 | 86.5 | 39.2 | N/A | N/A | N/A | 14.30 | 363.22 | 15.80 | 401.32 | 16.20 | 411.48 |
| H82J483DBV | 40 | 1.1 | 83.5 | 37.9 | 86.5 | 39.2 | N/A | N/A | N/A | 14.30 | 363.22 | 15.80 | 401.32 | 16.20 | 411.48 |
| H82J483DBV | 40 | 1.1 | 83.5 | 37.9 | 86.5 | 39.2 | N/A | N/A | N/A | 14.30 | 363.22 | 15.80 | 401.32 | 16.20 | 411.48 |
| H82J50*ABC | 40 | 1.1 | 87.0 | 39.5 | 90.0 | 40.8 | 60/370 | 189-227/330 | 3ARR3*3S* | 14.30 | 363.22 | 15.80 | 401.32 | 16.20 | 411.48 |
| H82J503DBF | 40 | 1.1 | 84.4 | 38.3 | 86.5 | 39.2 | N/A | N/A | N/A | 14.30 | 363.22 | 15.80 | 401.32 | 16.20 | 411.48 |
| H82J503DBL | 40 | 1.1 | 83.5 | 37.9 | 86.5 | 39.2 | N/A | N/A | N/A | 14.30 | 363.22 | 15.30 | 388.62 | 15.70 | 398.78 |
| H82J503DBL | 40 | 1.1 | 83.5 | 37.9 | 86.5 | 39.2 | N/A | N/A | N/A | 14.30 | 363.22 | 15.30 | 388.62 | 15.70 | 398.78 |
| H82J503DBV | 40 | 1.1 | 83.5 | 37.9 | 86.5 | 39.2 | N/A | N/A | N/A | 14.30 | 363.22 | 15.80 | 401.32 | 16.20 | 411.48 |
| H82J503DBV | 40 | 1.1 | 83.5 | 37.9 | 86.5 | 39.2 | N/A | N/A | N/A | 14.30 | 363.22 | 15.80 | 401.32 | 16.20 | 411.48 |
| H82J50MDBV | 40 | 1.1 | 83.5 | 37.9 | 86.5 | 39.2 | N/A | N/A | N/A | 14.30 | 363.22 | 15.80 | 401.32 | 16.10 | 408.94 |
| H82J50MDBV | 40 | 1.1 | 83.5 | 37.9 | 86.5 | 39.2 | N/A | N/A | N/A | 14.30 | 363.22 | 15.80 | 401.32 | 16.10 | 408.94 |



H82J

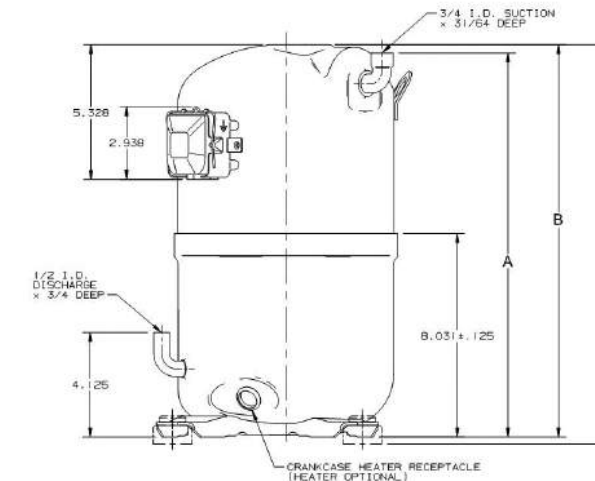
H71J SERIES

| Model | Volts Phase Hz | @45/130 | | | | | @45/100 | | | | | Electrical Data | | | Displacement | |
|----------------------------|----------------|----------|-------|-------------------|---------|-----|----------|--------|-------------------|------|-----|-----------------|-------|---------|--------------|--|
| | | Capacity | | Motor Input WATTS | EER/COP | | Capacity | | Motor Input WATTS | EER | | | | | | |
| | | BTU/H | WATTS | | BTU/WH | W/W | BTU/H | BTU/WH | | | RLA | LRA | MCC | IN3/REV | CM3/REV | |
| H71J SERIES (R407C) | | | | | | | | | | | | | | | | |
| H71J193ABK | 220-240/1/50 | 14,400 | 4219 | 1420 | 10.2 | 3.0 | 19900 | 1140 | 17.5 | 6.5 | 37 | 11.5 | 2.172 | 35.59 | | |
| H71J223ABK | 220-240/1/50 | 17,900 | 5245 | 1710 | 10.5 | 3.1 | 25100 | 1360 | 18.5 | 8 | 48 | 13 | 2.539 | 41.60 | | |
| H71J233DBL | 200-220/3/50 | 19,400 | 5684 | 1770 | 10.9 | 3.2 | 27100 | 1440 | 18.8 | 7 | 64 | 12 | 2.614 | 42.83 | | |
| H71J233DBV | 380-415/3/50 | 19,400 | 5684 | 1770 | 10.9 | 3.2 | 27100 | 1440 | 18.8 | 3.3 | 30 | 5.6 | 2.614 | 42.83 | | |
| H71J243DBV | 380-415/3/50 | 19,400 | 5684 | 1830 | 10.6 | 3.1 | 27000 | 1490 | 18.2 | 3.4 | 30 | 6 | 2.708 | 44.37 | | |
| H71J253DBV | 380-415/3/50 | 20,000 | 5860 | 1850 | 10.8 | 3.2 | 27800 | 1480 | 18.8 | 3.5 | 30 | 6.1 | 2.765 | 45.30 | | |
| H71J273ABC | 208-230/1/60 | 25,400 | 7442 | 2330 | 10.9 | 3.2 | 34600 | 1840 | 18.8 | 10.6 | 61 | 18 | 2.915 | 47.76 | | |
| H71J273ABK | 220-240/1/50 | 22,400 | 6563 | 2030 | 11.0 | 3.2 | 30200 | 1590 | 18.9 | 10 | 64 | 18 | 2.915 | 47.76 | | |
| H71J273DBL | 200-220/3/50 | 22,300 | 6534 | 2060 | 10.8 | 3.2 | 29700 | 1630 | 18.3 | 7.2 | 64 | 13.5 | 2.915 | 47.76 | | |
| H71J273DBV | 380-415/3/50 | 22,300 | 6534 | 2060 | 10.8 | 3.2 | 29700 | 1630 | 18.3 | 3.2 | 30 | 6.5 | 2.915 | 47.76 | | |
| H71J323ABK | 220-240/1/50 | 25,300 | 7413 | 2300 | 11.0 | 3.2 | 33500 | 1780 | 18.8 | 10.7 | 65 | 19 | 3.242 | 53.12 | | |
| H71J323DBL | 200-220/3/50 | 25,600 | 7501 | 2310 | 11.1 | 3.3 | 34000 | 1810 | 18.8 | 8.4 | 76 | 16 | 3.242 | 53.12 | | |
| H71J323DBV | 380-415/3/50 | 24,900 | 7296 | 2240 | 11.1 | 3.3 | 33600 | 1770 | 19.0 | 5.2 | 45 | 9 | 3.242 | 53.12 | | |
| H71J343ABC | 208-230/1/60 | 33,300 | 9757 | 2970 | 11.2 | 3.3 | 43600 | 2310 | 18.9 | 13 | 78 | 25.1 | 3.531 | 57.85 | | |
| H71J343ABK | 220-240/1/50 | 27,600 | 8087 | 2470 | 11.2 | 3.3 | 36700 | 1940 | 18.9 | 14.2 | 65 | 19 | 3.531 | 57.85 | | |
| H71J343DBL | 200-220/3/50 | 27,600 | 8087 | 2470 | 11.2 | 3.3 | 36700 | 1940 | 18.9 | 9 | 76 | 15 | 3.531 | 57.85 | | |
| H71J343DBV | 380-415/3/50 | 27,600 | 8087 | 2470 | 11.2 | 3.3 | 36700 | 1940 | 18.9 | 5.2 | 45 | 8.4 | 3.531 | 57.85 | | |
| H71J363DBL | 200-220/3/50 | 28,900 | 8468 | 2660 | 10.9 | 3.2 | 38100 | 2050 | 18.6 | 9.5 | 76 | 16 | 3.669 | 60.11 | | |
| H71J363DBV | 200-230/3/60 | 33,400 | 9786 | 3050 | 10.9 | 3.2 | 44000 | 2350 | 18.7 | 9.2 | 72 | 15 | 3.669 | 60.11 | | |
| H71J363DBV | 380-415/3/50 | 29,000 | 8497 | 2600 | 11.2 | 3.3 | 39800 | 2050 | 19.4 | 4.7 | 45 | 7.9 | 3.669 | 60.11 | | |
| H71J363DBV | 380-460/3/60 | 33,400 | 9786 | 3050 | 10.9 | 3.2 | 44000 | 2350 | 18.7 | 5.1 | 45 | 8 | 3.669 | 60.11 | | |
| H71J383ABK | 220-240/1/50 | 31,300 | 9171 | 2800 | 11.2 | 3.3 | 41500 | 2140 | 19.4 | 13.3 | 80 | 22 | 3.883 | 63.62 | | |
| H71J383DBL | 200-220/3/50 | 31,200 | 9142 | 2840 | 11.0 | 3.2 | 41100 | 2220 | 18.5 | 11 | 90 | 18 | 3.87 | 63.41 | | |
| H71J383DBV | 380-415/3/50 | 31,200 | 9142 | 2780 | 11.2 | 3.3 | 41400 | 2130 | 19.4 | 5 | 42 | 8 | 3.883 | 63.62 | | |
| H71J433ABC | 208-230/1/60 | 41,600 | 12189 | 3660 | 11.4 | 3.3 | 54000 | 2920 | 18.5 | 17 | 102 | 30 | 4.310 | 70.62 | | |
| H71J433ABK | 220-240/1/50 | 34,500 | 10109 | 3140 | 11.0 | 3.2 | 45500 | 2420 | 18.8 | 15.1 | 80 | 25 | 4.310 | 70.62 | | |
| H71J433DBL | 200-220/3/50 | 34,500 | 10109 | 3200 | 10.8 | 3.2 | 45300 | 2520 | 18.0 | 11.6 | 90 | 19 | 4.310 | 70.62 | | |
| H71J433DBL | 200-230/3/60 | 40,200 | 11779 | 3670 | 11.0 | 3.2 | 52900 | 2900 | 18.3 | 11.1 | 88 | 18 | 4.310 | 70.62 | | |
| H71J433DBV | 380-415/3/50 | 34,700 | 10167 | 3130 | 11.1 | 3.3 | 45700 | 2410 | 18.9 | 6 | 42 | 8.5 | 4.310 | 70.62 | | |
| H71J433DBV | 380-460/3/60 | 41,100 | 12042 | 3880 | 10.6 | 3.1 | 53800 | 2900 | 18.5 | 5.7 | 42 | 9 | 4.310 | 70.62 | | |
| H71J443ABC | 208-230/1/60 | 43,700 | 12804 | 3980 | 11.0 | 3.2 | 56400 | 3090 | 18.3 | 17.5 | 102 | 31.5 | 4.417 | 72.37 | | |
| H71J493DBE | 380-415/3/50 | 38,400 | 11251 | 3510 | 10.9 | 3.2 | 50400 | 2660 | 18.9 | 6.1 | 44 | 9.2 | 4.712 | 77.20 | | |

Data Subject to Revision

| Model | Oil Charge | | Weight Net Ship | | | | ELECTRICAL START COMPONENTS | | | DIMENSIONS | | | | | |
|------------|------------|-----|-----------------|------|------|------|-----------------------------|-----------------|-------------|------------|--------|-------|--------|-------|--------|
| | | | | | | | Run Capacitor | Start Capacitor | G.E. | A | | B | | C | |
| | OZ | L | Lbs | Kg | Lbs | Kg | MFD/VOLTS | MFD/VOLTS | Relay | IN | MM | IN | MM | IN | MM |
| H71J193ABK | 35 | 1.0 | 59.0 | 26.8 | 62.0 | 28.1 | 35/370 | 145-175/330 | 3ARR3*24AV* | 12.98 | 329.69 | 13.25 | 336.55 | 13.53 | 343.66 |
| H71J223ABK | 35 | 1.0 | 61.0 | 27.7 | 64.0 | 29.0 | 35/370 | 145-175/250 | 3ARR3*3AP* | 11.73 | 297.94 | 13.75 | 349.25 | 14.03 | 356.36 |
| H71J233DBL | 45 | 1.2 | 71.0 | 32.2 | 74.0 | 33.6 | N/A | N/A | N/A | 14.92 | 378.97 | 15.25 | 387.35 | 15.53 | 394.46 |
| H71J233DBV | 45 | 1.2 | 71.0 | 32.2 | 74.0 | 33.6 | N/A | N/A | N/A | 14.92 | 378.97 | 15.25 | 387.35 | 15.53 | 394.46 |
| H71J243DBV | 35 | 1.0 | 61.5 | 27.9 | 65.0 | 29.5 | N/A | N/A | N/A | 11.73 | 297.94 | 13.75 | 349.25 | 14.03 | 356.36 |
| H71J253DBV | 45 | 1.2 | 71.0 | 32.2 | 74.0 | 33.6 | N/A | N/A | N/A | 14.92 | 378.97 | 15.25 | 387.35 | 15.53 | 394.46 |
| H71J273ABC | 45 | 1.2 | 72.0 | 32.7 | 75.0 | 34.0 | 30/370 | 145-175/250 | 3ARR3*3S* | 14.92 | 378.97 | 15.25 | 387.35 | 15.53 | 394.46 |
| H71J273ABK | 45 | 1.2 | 73.0 | 33.1 | 76.0 | 34.5 | 45/370 | 161-193/250 | 3ARR3*3AM* | 15.17 | 385.32 | 15.50 | 393.70 | 15.78 | 400.81 |
| H71J273DBL | 45 | 1.2 | 71.0 | 32.2 | 74.5 | 33.8 | N/A | N/A | N/A | 14.92 | 378.97 | 15.25 | 387.35 | 15.53 | 394.46 |
| H71J273DBV | 45 | 1.2 | 71.0 | 32.2 | 74.5 | 33.8 | N/A | N/A | N/A | 14.92 | 378.97 | 15.25 | 387.35 | 15.53 | 394.46 |
| H71J323ABK | 45 | 1.2 | 73.0 | 33.1 | 76.0 | 34.5 | 50/370 | 161-193/250 | 3ARR3*3AM* | 15.17 | 385.32 | 15.50 | 393.70 | 15.78 | 400.81 |
| H71J323DBL | 45 | 1.2 | 71.0 | 32.2 | 74.0 | 33.6 | N/A | N/A | N/A | 15.17 | 385.32 | 15.50 | 393.70 | 15.78 | 400.81 |
| H71J323DBV | 45 | 1.2 | 72.4 | 32.8 | 75.9 | 34.4 | N/A | N/A | N/A | 15.17 | 385.32 | 15.50 | 393.70 | 15.78 | 400.81 |
| H71J343ABC | 45 | 1.2 | 73.0 | 33.1 | 76.0 | 34.5 | 45/370 | 189-227/330 | 3ARR3*3S* | 13.97 | 354.84 | 15.50 | 393.70 | 15.78 | 400.81 |
| H71J343ABK | 45 | 1.2 | 73.0 | 33.1 | 76.0 | 34.5 | 50/370 | 161-193/250 | 3ARR3*3AM* | 15.17 | 385.32 | 15.50 | 393.70 | 15.78 | 400.81 |
| H71J343DBL | 45 | 1.2 | 71.0 | 32.2 | 74.0 | 33.6 | N/A | N/A | N/A | 15.17 | 385.32 | 15.50 | 393.70 | 15.78 | 400.81 |
| H71J343DBV | 45 | 1.2 | 71.0 | 32.2 | 74.0 | 33.6 | N/A | N/A | N/A | 15.17 | 385.32 | 15.50 | 393.70 | 15.78 | 400.81 |
| H71J363DBL | 45 | 1.2 | 71.0 | 32.2 | 74.0 | 33.6 | N/A | N/A | N/A | 15.20 | 386.08 | 15.50 | 393.70 | 15.78 | 400.81 |
| H71J363DBV | 45 | 1.2 | 71.0 | 32.2 | 74.0 | 33.6 | N/A | N/A | N/A | 15.20 | 386.08 | 15.50 | 393.70 | 15.78 | 400.81 |
| H71J363DBV | 45 | 1.2 | 71.0 | 32.2 | 74.0 | 33.6 | N/A | N/A | N/A | 15.17 | 385.32 | 15.50 | 393.70 | 15.78 | 400.81 |
| H71J363DBV | 45 | 1.2 | 71.0 | 32.2 | 74.0 | 33.6 | N/A | N/A | N/A | 15.17 | 385.32 | 15.50 | 393.70 | 15.78 | 400.81 |
| H71J383ABK | 45 | 1.2 | 77.5 | 35.2 | 81.0 | 36.7 | 50/370 | 161-193/250v | 3ARR3*3AN* | 15.42 | 391.67 | 15.75 | 400.05 | 16.03 | 407.16 |
| H71J383DBL | 45 | 1.2 | 73.5 | 33.3 | 76.5 | 34.7 | N/A | N/A | N/A | 15.42 | 391.67 | 15.75 | 400.05 | 16.03 | 407.16 |
| H71J383DBV | 45 | 1.2 | 72.0 | 32.7 | 75.0 | 34.0 | N/A | N/A | N/A | 15.42 | 391.67 | 15.75 | 400.05 | 16.03 | 407.16 |
| H71J433ABC | 45 | 1.2 | 75.0 | 34.0 | 78.0 | 35.4 | 50/370 | 216-259/330 | 3ARR3*3S* | 15.42 | 391.67 | 15.75 | 400.05 | 16.03 | 407.16 |
| H71J433ABK | 45 | 1.2 | 75.0 | 34.0 | 78.0 | 35.4 | 50/370 | 216-259/330 | 3ARR3*3S* | 15.42 | 391.67 | 15.75 | 400.05 | 16.03 | 407.16 |
| H71J433DBL | 45 | 1.2 | 73.5 | 33.3 | 76.5 | 34.7 | N/A | N/A | N/A | 15.42 | 391.67 | 15.75 | 400.05 | 16.03 | 407.16 |
| H71J433DBL | 45 | 1.2 | 73.5 | 33.3 | 76.5 | 34.7 | N/A | N/A | N/A | 15.42 | 391.67 | 15.75 | 400.05 | 16.03 | 407.16 |
| H71J433DBV | 45 | 1.2 | 72.0 | 32.7 | 75.0 | 34.0 | N/A | N/A | N/A | 15.42 | 391.67 | 15.75 | 400.05 | 16.03 | 407.16 |
| H71J433DBV | 45 | 1.2 | 72.0 | 32.7 | 75.0 | 34.0 | N/A | N/A | N/A | 15.42 | 391.67 | 15.75 | 400.05 | 16.03 | 407.16 |
| H71J433DBV | 45 | 1.2 | 72.0 | 32.7 | 75.0 | 34.0 | N/A | N/A | N/A | 15.42 | 391.67 | 15.75 | 400.05 | 16.03 | 407.16 |
| H71J443ABC | 45 | 1.2 | 75.0 | 34.0 | 78.0 | 35.4 | 65/370 | 216-259/330 | 3ARR3*3S* | 14.22 | 361.19 | 15.75 | 400.05 | 16.03 | 407.16 |
| H71J493DBE | 45 | 1.2 | 72.0 | 32.7 | 75.0 | 34.0 | N/A | N/A | N/A | 15.42 | 391.67 | 15.75 | 400.05 | 16.03 | 407.16 |

H71J



H22A SERIES

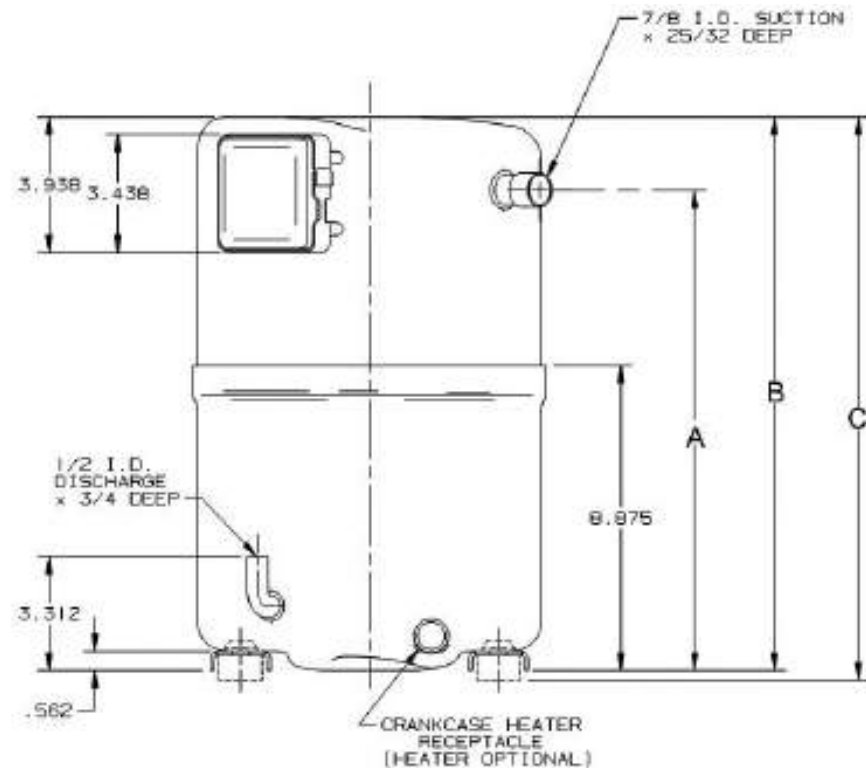
| Model | Volts Phase Hz | @45/130 | | | | @45/100 | | | | Electrical Data | | | Displacement | |
|-------|----------------|----------|-------|-------------------|---------|---------|----------|-------------------|-----|-----------------|-----|-----|--------------|---------|
| | | Capacity | | Motor Input WATTS | EER/COP | | Capacity | Motor Input WATTS | EER | RLA | LRA | MCC | IN3/REV | CM3/REV |
| | | BTU/H | WATTS | | BTU/WH | W/W | | | | | | | | |

H22A SERIES (R22)

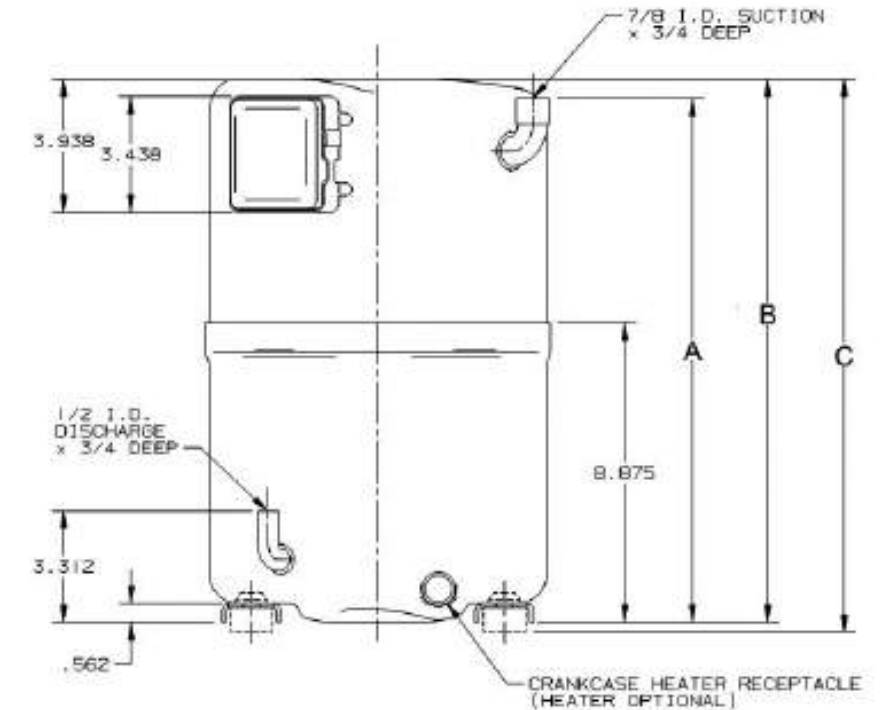
| | | | | | | | | | | | | | | |
|------------|--------------|-------|-------|------|------|-----|-------|------|------|------|-----|------|-------|--------|
| H22A503ABC | 208-230/1/60 | 49000 | 14378 | 4890 | 10.0 | 2.9 | 64000 | 3980 | 16.1 | 22.3 | 138 | 40 | 5.202 | 85.26 |
| H22A503DBE | 460/3/60 | 49000 | 14357 | 4890 | 10.0 | 2.9 | 64000 | 3980 | 16.1 | 6.8 | 53 | 12.5 | 5.202 | 85.26 |
| H22A503DBE | 380-415/3/50 | 42200 | 12364 | 4210 | 10.0 | 2.9 | 55100 | 3420 | 16.1 | 6.6 | 53 | 12.5 | 5.202 | 85.26 |
| H22A503DBF | 575/3/60 | 49000 | 14357 | 4890 | 10.0 | 2.9 | 64000 | 3980 | 16.1 | 5.5 | 43 | 9 | 5.202 | 85.26 |
| H22A503DBL | 200-230/3/60 | 49000 | 14357 | 4890 | 10.0 | 2.9 | 64000 | 3980 | 16.1 | 13.7 | 106 | 25 | 5.202 | 85.26 |
| H22A503DBL | 200-220/3/50 | 42400 | 12423 | 4310 | 9.8 | 2.9 | 55400 | 3510 | 15.8 | 14.7 | 106 | 25 | 5.202 | 85.26 |
| H22A543ABC | 208-230/1/60 | 53400 | 15669 | 5340 | 10.0 | 2.9 | 68400 | 4460 | 15.3 | 24.4 | 138 | 45 | 5.655 | 92.66 |
| H22A543DBE | 460/3/60 | 53400 | 15646 | 5250 | 10.2 | 3.0 | 68400 | 4350 | 15.7 | 7.5 | 53 | 14 | 5.655 | 92.66 |
| H22A543DBE | 380-415/3/50 | 46000 | 13478 | 4460 | 10.3 | 3.0 | 58900 | 3680 | 16.0 | 7.2 | 53 | 12.5 | 5.655 | 92.66 |
| H22A543DBF | 575/3/60 | 53400 | 15646 | 5250 | 10.2 | 3.0 | 68400 | 4350 | 15.7 | 6 | 43 | 10 | 5.655 | 92.66 |
| H22A543DBL | 200-230/3/60 | 53400 | 15646 | 5250 | 10.2 | 3.0 | 68400 | 4350 | 15.7 | 14.5 | 106 | 27 | 5.655 | 92.66 |
| H22A543DBL | 200-220/3/50 | 46600 | 13654 | 4610 | 10.1 | 3.0 | 59700 | 3810 | 15.7 | 15.1 | 106 | 25 | 5.655 | 92.66 |
| H22A563DBF | 575/3/60 | 55600 | 16291 | 5360 | 10.4 | 3.0 | 71300 | 4460 | 16.0 | 6.4 | 50 | 12 | 5.818 | 95.36 |
| H22A563DBL | 200-230/3/60 | 55600 | 16291 | 5360 | 10.4 | 3.0 | 71300 | 4460 | 16.0 | 15.3 | 124 | 30 | 5.818 | 95.36 |
| H22A563DBL | 200-220/3/50 | 47500 | 13917 | 4640 | 10.2 | 3.0 | 60900 | 3840 | 15.9 | 15.9 | 124 | 30 | 5.818 | 95.36 |
| H22A583ABC | 208-230/1/60 | 57100 | 16730 | 5780 | 9.9 | 2.9 | 72900 | 4810 | 15.2 | 26.6 | 178 | 45 | 6.032 | 98.86 |
| H22A583DBE | 460/3/60 | 58400 | 17111 | 5550 | 10.5 | 3.1 | 74500 | 4630 | 16.1 | 7.9 | 62 | 15 | 6.032 | 98.86 |
| H22A583DBE | 380-415/3/50 | 49200 | 14415 | 4650 | 10.6 | 3.1 | 62800 | 3740 | 16.8 | 7.7 | 62 | 15 | 6.032 | 98.86 |
| H22A623ABC | 208-230/1/60 | 60800 | 17840 | 6080 | 10.0 | 2.9 | 78200 | 5060 | 15.5 | 28.2 | 178 | 47 | 6.308 | 103.36 |
| H22A623DBE | 460/3/60 | 60800 | 17814 | 5980 | 10.2 | 3.0 | 78200 | 4960 | 15.8 | 8.5 | 62 | 16 | 6.308 | 103.36 |
| H22A623DBE | 380-415/3/50 | 51800 | 15177 | 5030 | 10.3 | 3.0 | 66600 | 4160 | 16.0 | 8.2 | 62 | 16 | 6.308 | 103.36 |
| H22A623DBF | 575/3/60 | 60800 | 17814 | 5980 | 10.2 | 3.0 | 78200 | 4960 | 15.8 | 7 | 50 | 13 | 6.308 | 103.36 |
| H22A623DBL | 200-230/3/60 | 60800 | 17814 | 5980 | 10.2 | 3.0 | 78200 | 4960 | 15.8 | 17 | 124 | 32 | 6.308 | 103.36 |
| H22A623DBL | 200-220/3/50 | 52300 | 15324 | 5130 | 10.2 | 3.0 | 67300 | 4250 | 15.8 | 18 | 124 | 32 | 6.308 | 103.36 |

Data Subject to Revision

H22A



H23A



| Model | Oil Charge | | Weight Net Ship | | | | ELECTRICAL START COMPONENTS | | | DIMENSIONS | | | | | |
|------------|------------|-----|-----------------|------|------|------|-----------------------------|-----------------|-----------|------------|--------|-------|--------|-------|--------|
| | | | | | | | Run Capacitor | Start Capacitor | G.E. | A | | B | | C | |
| | OZ | L | Lbs | Kg | Lbs | Kg | MFD/VOLTS | MFD/VOLTS | Relay | IN | MM | IN | MM | IN | MM |
| H22A503ABC | 55 | 1.6 | 87.5 | 39.7 | 92.0 | 41.7 | 40/440 | 135-155/330 | 3ARR3*4A* | 14.00 | 355.60 | 16.10 | 408.94 | 16.40 | 416.56 |
| H22A503DBE | 55 | 1.6 | 79.5 | 36.1 | 84.0 | 38.1 | N/A | N/A | N/A | 14.00 | 355.60 | 16.20 | 411.48 | 16.50 | 419.10 |
| H22A503DBE | 55 | 1.6 | 79.5 | 36.1 | 84.0 | 38.1 | N/A | N/A | N/A | 14.00 | 355.60 | 16.20 | 411.48 | 16.50 | 419.10 |
| H22A503DBF | 55 | 1.6 | 79.5 | 36.1 | 84.0 | 38.1 | N/A | N/A | N/A | 14.00 | 355.60 | 16.20 | 411.48 | 16.50 | 419.10 |
| H22A503DBL | 55 | 1.6 | 79.5 | 36.1 | 84.0 | 38.1 | N/A | N/A | N/A | 14.00 | 355.60 | 16.20 | 411.48 | 16.50 | 419.10 |
| H22A503DBL | 55 | 1.6 | 79.5 | 36.1 | 84.0 | 38.1 | N/A | N/A | N/A | 14.00 | 355.60 | 16.20 | 411.48 | 16.50 | 419.10 |
| H22A543ABC | 55 | 1.6 | 87.5 | 39.7 | 92.0 | 41.7 | 45/440 | 135-155/330 | 3ARR3*4A* | 14.00 | 355.60 | 16.10 | 408.94 | 16.40 | 416.56 |
| H22A543DBE | 55 | 1.6 | 79.5 | 36.1 | 84.0 | 38.1 | N/A | N/A | N/A | 14.00 | 355.60 | 16.20 | 411.48 | 16.50 | 419.10 |
| H22A543DBE | 55 | 1.6 | 79.5 | 36.1 | 84.0 | 38.1 | N/A | N/A | N/A | 14.00 | 355.60 | 16.20 | 411.48 | 16.50 | 419.10 |
| H22A543DBF | 55 | 1.6 | 79.5 | 36.1 | 84.0 | 38.1 | N/A | N/A | N/A | 14.00 | 355.60 | 16.20 | 411.48 | 16.50 | 419.10 |
| H22A543DBL | 55 | 1.6 | 79.5 | 36.1 | 84.0 | 38.1 | N/A | N/A | N/A | 14.00 | 355.60 | 16.20 | 411.48 | 16.50 | 419.10 |
| H22A543DBL | 55 | 1.6 | 79.5 | 36.1 | 84.0 | 38.1 | N/A | N/A | N/A | 14.00 | 355.60 | 16.20 | 411.48 | 16.50 | 419.10 |
| H22A563DBF | 55 | 1.6 | 79.5 | 36.1 | 84.0 | 38.1 | N/A | N/A | N/A | 14.00 | 355.60 | 16.20 | 411.48 | 16.50 | 419.10 |
| H22A563DBL | 55 | 1.6 | 83.0 | 37.6 | 87.5 | 39.7 | N/A | N/A | N/A | 14.00 | 355.60 | 16.20 | 411.48 | 16.50 | 419.10 |
| H22A563DBL | 55 | 1.6 | 83.0 | 37.6 | 87.5 | 39.7 | N/A | N/A | N/A | 14.00 | 355.60 | 16.20 | 411.48 | 16.50 | 419.10 |
| H22A583ABC | 55 | 1.6 | 93.0 | 42.2 | 97.5 | 44.2 | 55/440 | 135-155/330 | 3ARR3*4A* | 14.00 | 355.60 | 16.10 | 408.94 | 16.40 | 416.56 |
| H22A583DBE | 55 | 1.6 | 83.0 | 37.6 | 87.5 | 39.7 | N/A | N/A | N/A | 14.00 | 355.60 | 16.20 | 411.48 | 16.50 | 419.10 |
| H22A583DBE | 55 | 1.6 | 83.0 | 37.6 | 87.5 | 39.7 | N/A | N/A | N/A | 14.00 | 355.60 | 16.20 | 411.48 | 16.50 | 419.10 |
| H22A623ABC | 55 | 1.6 | 93.0 | 42.2 | 97.5 | 44.2 | 55/440 | 135-155/330 | 3ARR3*4A* | 14.00 | 355.60 | 16.10 | 408.94 | 16.40 | 416.56 |
| H22A623DBE | 55 | 1.6 | 83.0 | 37.6 | 87.5 | 39.7 | N/A | N/A | N/A | 14.00 | 355.60 | 16.20 | 411.48 | 16.50 | 419.10 |
| H22A623DBE | 55 | 1.6 | 83.0 | 37.6 | 87.5 | 39.7 | N/A | N/A | N/A | 14.00 | 355.60 | 16.20 | 411.48 | 16.50 | 419.10 |
| H22A623DBE | 55 | 1.6 | 83.0 | 37.6 | 87.5 | 39.7 | N/A | N/A | N/A | 14.00 | 355.60 | 16.20 | 411.48 | 16.50 | 419.10 |
| H22A623DBF | 55 | 1.6 | 83.0 | 37.6 | 87.5 | 39.7 | N/A | N/A | N/A | 14.00 | 355.60 | 16.20 | 411.48 | 16.50 | 419.10 |
| H22A623DBL | 55 | 1.6 | 83.0 | 37.6 | 87.5 | 39.7 | N/A | N/A | N/A | 14.00 | 355.60 | 16.20 | 411.48 | 16.50 | 419.10 |
| H22A623DBL | 55 | 1.6 | 83.0 | 37.6 | 87.5 | 39.7 | N/A | N/A | N/A | 14.00 | 355.60 | 16.20 | 411.48 | 16.50 | 419.10 |

H23A SERIES

| Model | Volts Phase Hz | @45/130 | | | | | @45/100 | | | | | Electrical Data | | | Displacement | |
|------------|----------------|----------|-------|-------------------|---------|--------|----------|-------------------|------|------|-----|-----------------|---------|---------|--------------|--|
| | | Capacity | | Motor Input WATTS | EER/COP | | Capacity | Motor Input WATTS | EER | RLA | LRA | MCC | IN3/REV | CM3/REV | | |
| | | BTU/H | WATTS | | BTU/WH | W/W | | | | | | | | | | |
| | | BTU/H | WATTS | BTU/WH | W/W | BTU/WH | W/W | | | | | | | | | |
| H23A303ABC | 208-230/1/60 | 29200 | 8556 | 2870 | 10.2 | 3.0 | 3900 | 2350 | 16.6 | 13 | 81 | 24 | 3.280 | 53.74 | | |
| H23A303ABH | 220-240/1/50 | 24000 | 7032 | 2430 | 11.4 | 3.3 | 32100 | 1990 | 16.1 | 11.4 | 62 | 20 | 3.280 | 53.74 | | |
| H23A303ABH | 265/1/60 | 29300 | 8585 | 2880 | 10.2 | 3.0 | 39100 | 2360 | 16.6 | 11.6 | 72 | 22 | 3.280 | 53.74 | | |
| H23A303DBE | 380-415/3/50 | 23900 | 7003 | 2340 | 10.2 | 3.0 | 32100 | 1910 | 16.8 | 4.1 | 30 | 8 | 3.280 | 53.74 | | |
| H23A303DBE | 460/3/60 | 29100 | 8526 | 2820 | 10.3 | 3.0 | 39100 | 2310 | 16.9 | 4.4 | 30 | 8 | 3.280 | 53.74 | | |
| H23A303DBL | 200-220/3/50 | 24200 | 7091 | 2400 | 10.1 | 3.0 | 32400 | 1960 | 16.5 | 9 | 76 | 16 | 3.280 | 53.74 | | |
| H23A303DBL | 200-230/3/60 | 29200 | 8556 | 2850 | 10.3 | 3.0 | 39000 | 2330 | 16.8 | 8.8 | 70 | 16 | 3.280 | 53.74 | | |
| H23A353ABC | 208-230/1/60 | 34900 | 10226 | 3440 | 10.1 | 3.0 | 45600 | 2830 | 16.1 | 15.9 | 87 | 27.5 | 3.757 | 61.56 | | |
| H23A353ABH | 220-240/1/50 | 28600 | 8380 | 2920 | 9.8 | 2.9 | 37400 | 2400 | 15.6 | 13.8 | 78 | 24.5 | 3.757 | 61.56 | | |
| H23A353ABH | 265/1/60 | 34600 | 10138 | 3490 | 9.9 | 2.9 | 45300 | 2880 | 15.7 | 14.3 | 78 | 24 | 3.757 | 61.56 | | |
| H23A353ABJ | 208-230/1/50 | 29400 | 8614 | 2830 | 10.4 | 3.0 | 38500 | 2330 | 16.5 | 14 | 84 | 24 | 3.757 | 61.56 | | |
| H23A353DBE | 380-415/3/50 | 28800 | 8438 | 2820 | 10.2 | 3.0 | 37700 | 2290 | 16.4 | 5 | 35 | 8.3 | 3.757 | 61.56 | | |
| H23A353DBE | 460/3/60 | 34900 | 10226 | 3390 | 10.3 | 3.0 | 45600 | 2760 | 16.6 | 4.8 | 35 | 8.3 | 3.757 | 61.56 | | |
| H23A353DBL | 200-220/3/50 | 28800 | 8438 | 2880 | 10.0 | 2.9 | 37700 | 2340 | 16.1 | 10 | 76 | 18 | 3.757 | 61.56 | | |
| H23A353DBL | 200-230/3/60 | 34900 | 10226 | 3390 | 10.3 | 3.0 | 45600 | 2760 | 16.6 | 9.6 | 70 | 18 | 3.757 | 61.56 | | |
| H23A383ABC | 208-230/1/60 | 37900 | 11121 | 3690 | 10.3 | 3.0 | 49100 | 3031 | 16.2 | 17 | 97 | 30 | 4.147 | 67.95 | | |
| H23A383ABK | 220-240/1/50 | 32400 | 9507 | 3220 | 10.1 | 3.0 | 41000 | 2640 | 15.9 | 15.5 | 82 | 28 | 4.147 | 67.95 | | |
| H23A383DBE | 460/3/60 | 37900 | 11121 | 3650 | 10.4 | 3.0 | 49100 | 2970 | 16.6 | 5.5 | 39 | 9.5 | 4.147 | 67.95 | | |
| H23A383DBE | 380-415/3/50 | 31400 | 9216 | 3050 | 10.3 | 3.0 | 40700 | 2470 | 16.5 | 5.2 | 39 | 9.5 | 4.147 | 67.95 | | |
| H23A383DBF | 500/3/50 | 31700 | 9288 | 3100 | 10.2 | 3.0 | 41000 | 2510 | 16.3 | 4.2 | 36 | 8 | 4.147 | 67.95 | | |
| H23A383DBF | 575/3/60 | 37900 | 11105 | 3650 | 10.4 | 3.0 | 49100 | 2970 | 16.6 | 4.2 | 36 | 8 | 4.147 | 67.95 | | |
| H23A383DBL | 200-230/3/60 | 37900 | 11121 | 3650 | 10.4 | 3.0 | 49100 | 2970 | 16.6 | 10.4 | 78 | 20 | 4.147 | 67.95 | | |
| H23A383DBL | 200-220/3/50 | 32000 | 9389 | 3140 | 10.2 | 3.0 | 41440 | 2540 | 16.3 | 10.7 | 76 | 20 | 4.147 | 67.95 | | |
| H23A423ABC | 208-230/1/60 | 42100 | 12353 | 4090 | 10.3 | 3.0 | 53900 | 3360 | 16 | 18.7 | 110 | 31.2 | 4.505 | 73.82 | | |
| H23A423ABK | 220-240/1/50 | 35000 | 10270 | 3420 | 10.2 | 3.0 | 44800 | 2810 | 15.9 | 16.7 | 90 | 28 | 4.505 | 73.82 | | |
| H23A423DBE | 406-3-60 | 42100 | 12353 | 4070 | 10.4 | 3.0 | 53900 | 3310 | 16.3 | 5.7 | 39 | 9.5 | 4.505 | 73.82 | | |
| H23A423DBE | 380-415/3/50 | 35200 | 10328 | 3430 | 10.3 | 3.0 | 45000 | 2790 | 16.2 | 5.8 | 39 | 9.5 | 4.505 | 73.82 | | |
| H23A423DBF | 575/3/60 | 42100 | 12353 | 4070 | 10.4 | 3.0 | 53900 | 3310 | 16.3 | 4.6 | 36 | 8 | 4.505 | 73.82 | | |
| H23A423DBF | 500/3/50 | 35200 | 10328 | 3450 | 10.2 | 3.0 | 45000 | 2800 | 16.1 | 4.6 | 36 | 8 | 4.505 | 73.82 | | |
| H23A423DBL | 200-230/3/60 | 42100 | 12353 | 4070 | 10.4 | 3.0 | 53900 | 3308 | 16.3 | 11.7 | 78 | 20 | 4.505 | 73.82 | | |
| H23A423DBL | 200-220/3/50 | 35500 | 10416 | 3390 | 10.5 | 3.1 | 45400 | 2750 | 16.5 | 11.2 | 78 | 20 | 4.505 | 73.82 | | |
| H23A423DBW | 380-460/3/60 | 42600 | 12481 | 4020 | 10.6 | 3.1 | 54600 | 3320 | 16.4 | 6.7 | 44 | 11 | 4.505 | 73.82 | | |
| H23A463ABC | 208-230/1/60 | 46300 | 13585 | 4550 | 10.2 | 3.0 | 58855 | 3745 | 15.7 | 21.6 | 118 | 36.4 | 4.926 | 80.72 | | |
| H23A463ABK | 220-240/1/50 | 39200 | 11485 | 3760 | 10.4 | 3.0 | 50100 | 2960 | 16.7 | 18.8 | 101 | 33 | 4.926 | 80.72 | | |
| H23A463DBE | 460/3/60 | 46300 | 13585 | 4430 | 10.4 | 3.0 | 58900 | 3670 | 16.0 | 6.3 | 45 | 13 | 4.926 | 80.72 | | |
| H23A463DBE | 380-415/3/50 | 38800 | 11368 | 3840 | 10.1 | 3.0 | 49300 | 3150 | 15.6 | 6.3 | 45 | 13 | 4.926 | 80.72 | | |
| H23A463DBF | 575/3/60 | 46300 | 13585 | 4460 | 10.4 | 3.0 | 58900 | 3670 | 16.0 | 5 | 36 | 10 | 4.926 | 80.72 | | |
| H23A463DBF | 500/3/50 | 38,800 | 11368 | 3840 | 10.1 | 3.0 | 49300 | 3150 | 15.6 | 4.9 | 36 | 10 | 4.926 | 80.71 | | |
| H23A463DBL | 200-230/3/60 | 46300 | 13585 | 4460 | 10.4 | 3.0 | 58900 | 3670 | 16.0 | 12.6 | 90 | 24 | 4.926 | 80.72 | | |
| H23A463DBL | 200-220/3/50 | 39500 | 11573 | 3870 | 10.2 | 3.0 | 50200 | 3170 | 15.8 | 12.7 | 90 | 24 | 4.926 | 80.71 | | |
| H23A503ABC | 208-230/1/60 | 49000 | 14378 | 4890 | 10.0 | 2.9 | 64000 | 3980 | 16.1 | 22.3 | 138 | 40 | 5.202 | 85.24 | | |
| H23A503DBE | 460/3/60 | 49000 | 14378 | 4890 | 10.0 | 2.9 | 64000 | 3980 | 16.1 | 6.8 | 53 | 12.5 | 5.202 | 85.24 | | |

Data Subject to Revision

| Model | Oil Charge | L | Weight | | | | ELECTRICAL START COMPONENTS | | | DIMENSIONS | | | | | |
|------------|------------|-----|--------|------|------|------|-----------------------------|-----------------|-------------|------------|-----------|-------|--------|-------|--------|
| | | | Net | Ship | Lbs | Kg | Run Capacitor | Start Capacitor | G.E. | A | | B | | C | |
| | | | | | | | | | | MFD/VOLTS | MFD/VOLTS | Relay | IN | MM | IN |
| | | | OZ | Lbs | Kg | Lbs | Kg | MFD/VOLTS | MFD/VOLTS | Relay | IN | MM | IN | MM | IN |
| H23A303ABC | 50 | 1.5 | 73.5 | 33.3 | 78.0 | 35.4 | 40/370 | 145-175/250 | 3ARR3*10S* | 14.25 | 361.95 | 14.63 | 371.60 | 14.90 | 378.46 |
| H23A303ABH | 50 | 1.5 | 73.5 | 33.3 | 78.0 | 35.4 | 35/370 | 145-175/250 | 3ARR3*10AS* | 14.25 | 361.95 | 14.63 | 371.60 | 14.90 | 378.46 |
| H23A303ABH | 50 | 1.5 | 73.5 | 33.3 | 78.0 | 35.4 | 25/440 | 145-175/330 | 3ARR3*25B* | 14.25 | 361.95 | 14.63 | 371.60 | 14.90 | 378.46 |
| H23A303DBE | 50 | 1.5 | 72.0 | 32.7 | 76.5 | 34.7 | N/A | N/A | N/A | 14.25 | 361.95 | 14.63 | 371.60 | 14.90 | 378.46 |
| H23A303DBE | 50 | 1.5 | 72.0 | 32.7 | 76.5 | 34.7 | N/A | N/A | N/A | 14.25 | 361.95 | 14.63 | 371.60 | 14.90 | 378.46 |
| H23A303DBL | 50 | 1.5 | 72.0 | 32.7 | 76.5 | 34.7 | N/A | N/A | N/A | 14.25 | 361.95 | 14.63 | 371.60 | 14.90 | 378.46 |
| H23A303DBL | 50 | 1.5 | 72.0 | 32.7 | 76.5 | 34.7 | N/A | N/A | N/A | 14.25 | 361.95 | 14.63 | 371.60 | 14.90 | 378.46 |
| H23A353ABC | 50 | 1.5 | 74.0 | 33.6 | 78.5 | 35.6 | 35/440 | 145-175/250 | 3ARR3*4A* | 14.25 | 361.95 | 14.63 | 371.60 | 14.90 | 378.46 |
| H23A353ABH | 50 | 1.5 | 74.0 | 33.6 | 78.5 | 35.6 | 35/370 | 145-175/250 | 3ARR3*25AV* | 14.25 | 361.95 | 14.63 | 371.60 | 14.90 | 378.46 |
| H23A353ABH | 50 | 1.5 | 74.0 | 33.6 | 78.5 | 35.6 | 25/440 | 145-175/330 | 3ARR3*10D* | 14.25 | 361.95 | 14.63 | 371.60 | 14.90 | 378.46 |
| H23A353ABJ | 50 | 1.5 | 81.0 | 36.7 | 85.5 | 38.8 | 35/440 | 145-175/330 | 3ARR3*4AA* | 14.25 | 361.95 | 14.63 | 371.60 | 14.90 | 378.46 |
| H23A353DBE | 50 | 1.5 | 73.0 | 33.1 | 77.5 | 35.2 | N/A | N/A | N/A | 14.25 | 361.95 | 14.63 | 371.60 | 14.90 | 378.46 |
| H23A353DBE | 50 | 1.5 | 73.0 | 33.1 | 77.5 | 35.2 | N/A | N/A | N/A | 14.25 | 361.95 | 14.63 | 371.60 | 14.90 | 378.46 |
| H23A353DBL | 50 | 1.5 | 73.0 | 33.1 | 77.5 | 35.2 | N/A | N/A | N/A | 14.25 | 361.95 | 14.63 | 371.60 | 14.90 | 378.46 |
| H23A353DBL | 50 | 1.5 | 73.0 | 33.1 | 77.5 | 35.2 | N/A | N/A | N/A | 14.25 | 361.95 | 14.63 | 371.60 | 14.90 | 378.46 |
| H23A383ABC | 50 | 1.5 | 78.0 | 35.5 | 82.5 | 37.5 | 35/440 | 145-175/250 | 3ARR3*4A* | 12.50 | 317.20 | 14.60 | 371.30 | 14.90 | 378.40 |
| H23A383ABK | 50 | 1.5 | 78.0 | 35.5 | 82.5 | 37.5 | 35/440 | 145-175/330 | 3ARR3*4AA* | 12.50 | 317.20 | 14.60 | 371.30 | 14.90 | 378.40 |
| H23A383DBE | 50 | 1.5 | 74.0 | 33.6 | 78.5 | 35.7 | N/A | N/A | N/A | 12.50 | 317.20 | 14.60 | 371.30 | 14.90 | 378.40 |
| H23A383DBE | 50 | 1.5 | 74.0 | 33.6 | 78.5 | 35.7 | N/A | N/A | N/A | 12.50 | 317.20 | 14.60 | 371.30 | 14.90 | 378.40 |
| H23A383DBF | 50 | 1.5 | 74.0 | 33.6 | 78.5 | 35.6 | N/A | N/A | N/A | 14.06 | 357.12 | 14.63 | 371.60 | 14.90 | 378.46 |
| H23A383DBF | 50 | 1.5 | 74.0 | 33.6 | 78.5 | 35.6 | N/A | N/A | N/A | 14.06 | 357.12 | 14.63 | 371.60 | 14.90 | 378.46 |
| H23A423DBL | 50 | 1.5 | 74.0 | 33.6 | 78.5 | 35.7 | N/A | N/A | N/A | 12.50 | 317.20 | 14.60 | 371.30 | 14.90 | 378.40 |
| H23A383DBL | 50 | 1.5 | 74.0 | 33.6 | 78.5 | 35.7 | N/A | N/A | N/A | 12.50 | 317.20 | 14.60 | 371.30 | 14.90 | 378.40 |
| H23A423ABC | 50 | 1.5 | 78.0 | 35.5 | 82.5 | 37.5 | 40/440 | 145-175/250 | 3ARR3*4A* | 12.50 | 317.20 | 14.60 | 371.30 | 14.90 | 378.40 |
| H23A423ABK | 50 | 1.5 | 78.0 | 35.5 | 82.5 | 37.5 | 40/440 | 145-175/330 | 3ARR3*27AA* | 12.50 | 317.20 | 14.60 | 371.30 | 14.90 | 378.40 |
| H23A423DBE | 50 | 1.5 | 74.0 | 33.6 | 78.5 | 35.7 | N/A | N/A | N/A | 12.50 | 317.20 | 14.60 | 371.30 | 14.90 | 378.40 |
| H23A423DBE | 50 | 1.5 | 74.0 | 33.6 | 78.5 | 35.7 | N/A | N/A | N/A | 12.50 | 317.20 | 14.60 | 371.30 | 14.90 | 378.40 |
| H23A423DBF | 50 | 1.5 | 74.0 | 33.6 | 78.5 | 35.7 | N/A | N/A | N/A | 12.50 | 317.20 | 14.60 | 371.30 | 14.90 | 378.40 |
| H23A423DBF | 50 | 1.5 | 74.0 | 33.6 | 78.5 | 35.7 | N/A | N/A | N/A | 12.50 | 317.20 | 14.60 | 371.30 | 14.90 | 378.40 |
| H23A463DBL | 50 | 1.5 | 74.0 | 33.6 | 78.5 | 35.7 | N/A | N/A | N/A | 12.50 | 317.20 | 14.60 | 371.30 | 14.90 | 378.40 |
| H23A463DBL | 50 | 1.5 | 74.0 | 33.6 | 78.5 | 35.7 | N/A | N/A | N/A | 12.50 | 317.20 | 14.60 | 371.30 | 14.90 | 378.40 |
| H23A423DBW | 50 | 1.5 | 79.0 | 35.9 | 82.0 | 37.3 | N/A | N/A | N/A | 12.50 | 317.20 | 14.60 | 371.30 | 14.90 | 378.40 |
| H23A463ABC | 55 | 1.6 | 81.0 | 36.8 | 85.5 | 38.9 | 40/440 | 135-155/330 | 3ARR3*4A* | 12.50</ | | | | | |

H23A SERIES

| Model | Volts Phase Hz | @45/130 | | | | | @45/100 | | | | | Electrical Data | | | Displacement | |
|-------|----------------|----------|-------|-------------------|---------|-----|----------|-------------------|-----|-----|-----|-----------------|---------|---------|--------------|--|
| | | Capacity | | Motor Input WATTS | EER/COP | | Capacity | Motor Input WATTS | EER | RLA | LRA | MCC | IN3/REV | CM3/REV | | |
| | | BTU/H | WATTS | | BTU/WH | W/W | | | | | | | | | BTU/H | |

H23A SERIES (R22)

| | | | | | | | | | | | | | | |
|------------|--------------|-------|-------|------|------|-----|-------|------|------|------|-----|------|-------|--------|
| H23A503DBE | 380-415/3/50 | 42200 | 12382 | 4210 | 10.0 | 2.9 | 55100 | 3420 | 16.1 | 6.7 | 53 | 12.5 | 5.202 | 85.24 |
| H23A503DBF | 500/3/50 | 42200 | 12365 | 4210 | 10.0 | 2.9 | 55100 | 3420 | 16.1 | 5.4 | 43 | 10 | 5.202 | 85.24 |
| H23A503DBF | 575/3/60 | 49000 | 14357 | 4890 | 10.0 | 2.9 | 64000 | 3980 | 16.1 | 5.5 | 43 | 9 | 5.202 | 85.24 |
| H23A503DBL | 200-230/3/60 | 49000 | 14378 | 4890 | 10.0 | 2.9 | 64000 | 3980 | 16.1 | 13.7 | 106 | 25 | 5.202 | 85.24 |
| H23A503DBL | 200-220/3/50 | 42400 | 12435 | 4310 | 9.8 | 2.9 | 55400 | 3510 | 15.8 | 14.7 | 106 | 25 | 5.202 | 85.24 |
| H23A543ABC | 208-230/1/60 | 53400 | 15669 | 5340 | 10.0 | 2.9 | 68400 | 4460 | 15.3 | 24.4 | 138 | 45 | 5.655 | 92.66 |
| H23A543DBE | 460/3/60 | 53400 | 15669 | 5250 | 10.2 | 3.0 | 68400 | 4350 | 15.7 | 7.3 | 53 | 14 | 5.655 | 92.66 |
| H23A543DBE | 380-415/3/50 | 46000 | 13478 | 4460 | 10.3 | 3.0 | 58900 | 3680 | 16.0 | 7.2 | 53 | 12.5 | 5.655 | 92.66 |
| H23A543DBF | 500/3/50 | 46000 | 13478 | 4460 | 10.3 | 3.0 | 58900 | 3680 | 16.0 | 5.7 | 43 | 10 | 5.546 | 90.88 |
| H23A543DBF | 575/3/60 | 53400 | 15646 | 5250 | 10.2 | 3.0 | 68400 | 4350 | 15.7 | 5.8 | 43 | 10 | 5.546 | 90.88 |
| H23A543DBL | 200-230/3/60 | 53400 | 15669 | 5250 | 10.1 | 3.0 | 68400 | 4350 | 15.7 | 14.5 | 106 | 27 | 5.655 | 92.66 |
| H23A543DBL | 200-220/3/50 | 46600 | 13653 | 4610 | 10.1 | 3.0 | 59700 | 3810 | 15.7 | 15.1 | 106 | 25 | 5.655 | 92.66 |
| H23A563ABC | 208-230/1/60 | 55600 | 16314 | 5450 | 10.2 | 3.0 | 71300 | 4570 | 15.6 | 24.7 | 142 | 45 | 5.818 | 95.33 |
| H23A563DBE | 460/3/60 | 55600 | 16314 | 5360 | 10.4 | 3.0 | 71300 | 4460 | 16.0 | 7.7 | 62 | 15 | 5.818 | 95.33 |
| H23A563DBE | 380-415/3/50 | 47500 | 13938 | 4560 | 10.4 | 3.0 | 60900 | 3770 | 16.2 | 7.5 | 62 | 14 | 5.818 | 95.33 |
| H23A563DBF | 575/3/60 | 55600 | 16314 | 5360 | 10.4 | 3.0 | 71300 | 4460 | 16.0 | 6.1 | 50 | 12 | 5.818 | 95.33 |
| H23A563DBF | 500/3/50 | 47500 | 13938 | 4560 | 10.4 | 3.0 | 60900 | 3770 | 16.2 | 6.1 | 50 | 12 | 5.818 | 95.33 |
| H23A563DBL | 200-230/3/60 | 55600 | 16314 | 5360 | 10.4 | 3.0 | 71300 | 4460 | 16.0 | 15.3 | 124 | 30 | 5.818 | 95.33 |
| H23A563DBL | 200-220/3/50 | 47500 | 13938 | 4640 | 10.2 | 3.0 | 60900 | 3840 | 15.9 | 16 | 124 | 30 | 5.818 | 95.33 |
| H23A563DBX | 380-3-60 | 55600 | 16291 | 5520 | 10.1 | 3.0 | 70900 | 4740 | 15.0 | 9.1 | 51 | 15 | 5.818 | 95.32 |
| H23A583ABC | 208-230/1/60 | 57100 | 16730 | 5780 | 9.9 | 2.9 | 72900 | 4810 | 15.2 | 26.6 | 178 | 45 | 6.032 | 98.84 |
| H23A583DBE | 460/3/60 | 58400 | 17111 | 5550 | 10.5 | 3.1 | 74500 | 4630 | 16.1 | 7.9 | 62 | 15 | 6.032 | 98.84 |
| H23A583DBE | 380-415/3/50 | 49200 | 14400 | 4650 | 10.6 | 3.1 | 62800 | 3740 | 16.8 | 7.7 | 62 | 15 | 6.032 | 98.84 |
| H23A623ABC | 208-230/1/60 | 60800 | 17840 | 6080 | 10.0 | 2.9 | 78200 | 5060 | 15.5 | 28.2 | 178 | 47 | 6.308 | 103.36 |
| H23A623DBE | 460/3/60 | 60800 | 17840 | 5980 | 10.2 | 3.0 | 78200 | 4960 | 15.8 | 8.8 | 62 | 16 | 6.308 | 103.36 |
| H23A623DBE | 380-415/3/50 | 51800 | 15199 | 5030 | 10.3 | 3.0 | 66600 | 4160 | 16.0 | 8.2 | 62 | 16 | 6.308 | 103.36 |
| H23A623DBF | 575/3/60 | 60800 | 17840 | 5980 | 10.2 | 3.0 | 78200 | 4960 | 15.8 | 6.8 | 50 | 13 | 6.308 | 103.36 |
| H23A623DBF | 500/3/50 | 51800 | 15199 | 5030 | 10.3 | 3.0 | 66600 | 4160 | 16.0 | 6.5 | 50 | 13 | 6.308 | 103.36 |
| H23A623DBL | 200-230/3/60 | 60800 | 17840 | 5980 | 10.2 | 3.0 | 78200 | 4960 | 15.8 | 17 | 124 | 32 | 6.308 | 103.36 |
| H23A623DBL | 200-220/3/50 | 52300 | 15346 | 5130 | 10.2 | 3.0 | 67300 | 4250 | 15.8 | 18 | 124 | 32 | 6.308 | 103.36 |

H29A SERIES (R22)

| | | | | | | | | | | | | | | |
|------------|--------------|--------|-------|------|------|-----|-------|------|------|-----|----|------|-------|--------|
| H29A563DBV | 380-415/3/50 | 46,000 | 13551 | 3974 | 11.6 | 3.4 | 58796 | 3079 | 19.1 | 6.8 | 66 | 15 | 5.70 | 93.40 |
| H29A563DBV | 380-460/3/60 | 56,600 | 16607 | 4850 | 11.7 | 3.4 | 72100 | 3850 | 18.7 | 7.0 | 75 | 15.5 | 5.70 | 93.40 |
| H29A583DBV | 380-415/3/50 | 47,700 | 13976 | 4090 | 11.7 | 3.4 | 60500 | 3250 | 18.7 | 7.0 | 75 | 15.5 | 5.818 | 95.33 |
| H29A583DBV | 380-460/3/60 | 58,100 | 17023 | 5010 | 11.6 | 3.4 | 73700 | 3970 | 18.6 | 7.2 | 75 | 14.5 | 5.818 | 95.33 |
| H29A623DBV | 380-415/3/50 | 49,200 | 14415 | 4290 | 11.5 | 3.4 | 64300 | 3360 | 19.1 | 7.3 | 75 | 18.5 | 6.183 | 101.32 |
| H29A623DBV | 380-460/3/60 | 60,700 | 17785 | 5280 | 11.5 | 3.4 | 77900 | 4170 | 18.7 | 7.5 | 75 | 18 | 6.183 | 101.32 |
| H29A723DBE | 380-415/3/50 | 61,700 | 18078 | 5580 | 11.1 | 3.3 | 77600 | 4430 | 17.5 | 9.6 | 82 | 14 | 7.150 | 117.16 |
| H29A723DBE | 460/3/60 | 71,900 | 21066 | 6560 | 11.0 | 3.2 | 90300 | 5280 | 17.1 | 9.5 | 84 | 16 | 7.150 | 117.16 |
| H29A723DBV | 380-415/3/50 | 61,700 | 18078 | 5580 | 11.1 | 3.2 | 77600 | 4430 | 17.5 | 9.6 | 82 | 14 | 7.150 | 117.16 |
| H29A723DBV | 380-460/3/60 | 71,900 | 21067 | 6560 | 11.0 | 3.2 | 90300 | 5280 | 17.1 | 9.5 | 84 | 16 | 7.150 | 117.16 |

Data Subject to Revision

| Model | Oil Charge | L | Weight | | | | ELECTRICAL START COMPONENTS | | | DIMENSIONS | | | | | |
|-------|------------|---|--------|------|-----|----|-----------------------------|-----------------|------|------------|-----------|-------|----|----|----|
| | | | Net | Ship | Lbs | Kg | Run Capacitor | Start Capacitor | G.E. | A | | B | | C | |
| | | | | | | | | | | MFD/VOLTS | MFD/VOLTS | Relay | IN | MM | IN |

| | | | | | | | | | | | | | | | |
|------------|----|-----|------|------|------|------|--------|-------------|-----------|-------|--------|-------|--------|-------|--------|
| H23A503DBE | 55 | 1.6 | 79.5 | 36.1 | 84.0 | 38.2 | N/A | N/A | N/A | 14.00 | 355.30 | 16.10 | 409.40 | 16.40 | 416.50 |
| H23A503DBF | 55 | 1.6 | 79.5 | 36.1 | 84.0 | 38.1 | N/A | N/A | N/A | 15.56 | 395.27 | 16.13 | 409.70 | 16.40 | 416.56 |
| H23A503DBF | 55 | 1.6 | 79.5 | 36.1 | 84.0 | 38.1 | N/A | N/A | N/A | 15.56 | 395.22 | 16.13 | 409.70 | 16.40 | 416.56 |
| H23A543DBL | 55 | 1.6 | 79.5 | 36.1 | 84.0 | 38.2 | N/A | N/A | N/A | 14.00 | 355.30 | 16.10 | 409.40 | 16.40 | 416.50 |
| H23A503DBL | 55 | 1.6 | 79.5 | 36.1 | 84.0 | 38.2 | N/A | N/A | N/A | 14.00 | 355.30 | 16.10 | 409.40 | 16.40 | 416.50 |
| H23A543ABC | 55 | 1.6 | 87.5 | 39.8 | 92.0 | 41.8 | 45/440 | 135-155/330 | 3ARR3*4A* | 14.00 | 355.30 | 16.10 | 409.40 | 16.40 | 416.50 |
| H23A543DBE | 55 | 1.6 | 79.5 | 36.1 | 84.0 | 38.2 | N/A | N/A | N/A | 14.00 | 355.30 | 16.10 | 409.40 | 16.40 | 416.50 |
| H23A543DBE | 55 | 1.6 | 79.5 | 36.1 | 84.0 | 38.2 | N/A | N/A | N/A | 14.00 | 355.30 | 16.10 | 409.40 | 16.40 | 416.50 |
| H23A543DBF | 55 | 1.6 | 79.5 | 36.1 | 84.0 | 38.1 | N/A | N/A | N/A | 15.56 | 395.22 | 16.13 | 409.70 | 16.40 | 416.56 |
| H23A543DBF | 55 | 1.6 | 79.5 | 36.1 | 84.0 | 38.1 | N/A | N/A | N/A | 15.56 | 395.22 | 16.13 | 409.70 | 16.40 | 416.56 |
| H23A543DBL | 55 | 1.6 | 79.5 | 36.1 | 84.0 | 38.2 | N/A | N/A | N/A | 14.00 | 355.30 | 16.10 | 409.40 | 16.40 | 416.50 |
| H23A543DBL | 55 | 1.6 | 79.5 | 36.1 | 84.0 | 38.2 | N/A | N/A | N/A | 14.00 | 355.30 | 16.10 | 409.40 | 16.40 | 416.50 |
| H23A563ABC | 55 | 1.6 | 91.0 | 41.4 | 95.5 | 43.4 | 55/440 | 135-155/330 | 3ARR3*6U* | 14.00 | 355.30 | 16.10 | 409.40 | 16.40 | 416.50 |
| H23A563DBE | 55 | 1.6 | 83.0 | 37.7 | 87.5 | 39.8 | N/A | N/A | N/A | 14.00 | 355.30 | 16.10 | 409.40 | 16.40 | 416.50 |
| H23A563DBE | 55 | 1.6 | 83.0 | 37.7 | 87.5 | 39.8 | N/A | N/A | N/A | 14.00 | 355.30 | 16.10 | 409.40 | 16.40 | 416.50 |
| H23A563DBF | 55 | 1.6 | 83.0 | 37.7 | 87.5 | 39.8 | N/A | N/A | N/A | 14.00 | 355.30 | 16.10 | 409.40 | 16.40 | 416.50 |
| H23A563DBF | 55 | 1.6 | 83.0 | 37.7 | 87.5 | 39.8 | N/A | N/A | N/A | 14.00 | 355.30 | 16.10 | 409.40 | 16.40 | 416.50 |
| H23A563DBL | 55 | 1.6 | 83.0 | 37.7 | 87.5 | 39.8 | N/A | N/A | N/A | 14.00 | 355.30 | 16.10 | 409.40 | 16.40 | 416.50 |
| H23A563DBL | 55 | 1.6 | 83.0 | 37.7 | 87.5 | 39.8 | N/A | N/A | N/A | 14.00 | 355.30 | 16.10 | 409.40 | 16.40 | 416.50 |
| H23A563DBX | 55 | 1.6 | 82.5 | 37.4 | 85.5 | 38.8 | N/A | N/A | N/A | 15.56 | 395.22 | 16.13 | 409.70 | 16.40 | 416.56 |
| H23A583ABC | 55 | 1.6 | 93.0 | 42.2 | 97.5 | 44.2 | 55/440 | 135-155/3 | 3ARR3*4A* | 15.56 | 395.22 | 16.13 | 409.70 | 16.40 | 416.56 |
| H23A583DBE | 55 | 1.6 | 83.0 | 37.7 | 87.5 | 39.8 | N/A | N/A | N/A | 14.00 | 355.30 | 16.10 | 409.40 | 16.40 | 416.50 |
| H23A583DBE | 55 | 1.6 | 83.0 | 37.7 | 87.5 | 39.8 | N/A | N/A | N/A | 14.00 | 355.30 | 16.10 | 409.40 | 16.40 | 416.50 |
| H23A623ABC | 55 | 1.6 | 93.0 | 42.3 | 97.5 | 44.3 | 55/440 | 135-155/330 | 3ARR3*4A* | 14.00 | 355.30 | 16.10 | 409.40 | 16.40 | 416.50 |
| H23A623DBE | 55 | 1.6 | 83.0 | 37.7 | 87.5 | 39.8 | N/A | N/A | N/A | 14.00 | 355.30 | 16.10 | 409.40 | 16.40 | 416.50 |
| H23A623DBE | 55 | 1.6 | 83.0 | 37.7 | 87.5 | 39.8 | N/A | N/A | N/A | 14.00 | 355.30 | 16.10 | 409.40 | 16.40 | 416.50 |
| H23A623DBF | 55 | 1.6 | 83.0 | 37.7 | 87.5 | 39.8 | N/A | N/A | N/A | 14.00 | 355.30 | 16.10 | 409.40 | 16.40 | 416.50 |
| H23A623DBF | 55 | 1.6 | 83.0 | 37.7 | 87.5 | 39.8 | N/A | N/A | N/A | 14.00 | 355.30 | 16.10 | 409.40 | 16.40 | 416.50 |
| H23A623DBL | 55 | 1.6 | 83.0 | 37.7 | 87.5 | 39.8 | N/A | N/A | N/A | 14.00 | 355.30 | 16.10 | 409.40 | 16.40 | 416.50 |
| H23A623DBL | 55 | 1.6 | 83.0 | 37.7 | 87.5 | 39.8 | N/A | N/A | N/A | 14.00 | 355.30 | 16.10 | 409.40 | 16.40 | 416.50 |

| | | | | | | | | | | | | | | | |
|------------|----|-----|-------|------|-------|------|-----|-----|-----|-------|-------|-------|--------|-------|--------|
| H29A563DBV | 65 | 1.9 | 105.5 | 48.0 | 109.5 | 49.8 | N/A | N/A | N/A | 15.30 | 387.0 | 17.40 | 441.96 | 17.70 | 448.80 |
| H29A563DBV | 65 | 1.9 | 105.5 | 48.0 | 109.5 | 49.8 | N/A | N/A | N/A | 15.30 | 387.0 | 17.40 | 441.96 | 17.70 | 448.80 |
| H29A583DBV | 65 | 1.9 | 105.5 | 48.0 | 109.5 | 49.8 | N/A | N/A | N/A | 15.30 | 387.0 | 17.40 | 441.96 | 17.70 | 448.80 |
| H29A583DBV | 65 | 1.9 | 105.5 | 48.0 | 109.5 | 49.8 | N/A | N/A | N/A | 15.30 | 387.0 | 17.40 | 441.96 | 17.70 | 448.80 |
| H29A623DBV | 65 | 1.9 | 105.5 | 48.0 | 109.5 | 49.8 | N/A | N/A | N/A | 15.30 | 387 | | | | |

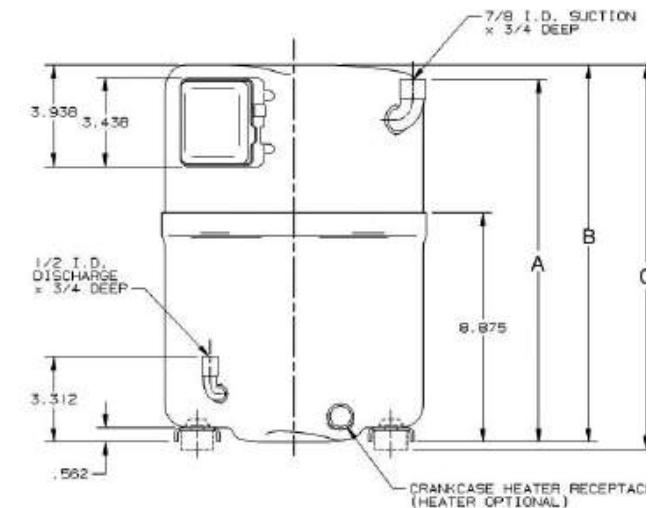
H73A SERIES

| Model | Volts Phase Hz | @45/130 | | | | | @45/100 | | | | | Electrical Data | | | Displacement | |
|------------|----------------|----------|-------|-------------------|---------|-----|----------|-------------------|------|-------|--------|-----------------|-------|--------|--------------|---------|
| | | Capacity | | Motor Input WATTS | EER/COP | | Capacity | Motor Input WATTS | EER | | | | | | | |
| | | BTU/H | WATTS | | BTU/WH | W/W | | | | BTU/H | BTU/WH | RLA | LRA | MCC | IN3/REV | CM3/REV |
| H73A353ABH | 220-240/1/50 | 25500 | 7472 | 2640 | 9.7 | 2.8 | 35500 | 2270 | 15.7 | 13.8 | 78 | 24.5 | 3.757 | 61.56 | | |
| H73A353DBE | 380-415/3/50 | 25700 | 7530 | 2550 | 10.1 | 3.0 | 35700 | 2160 | 16.5 | 5 | 35 | 8.3 | 3.757 | 61.56 | | |
| H73A353DBL | 200-220/3/50 | 25700 | 7530 | 2600 | 9.9 | 2.9 | 35700 | 2210 | 16.2 | 10 | 76 | 18 | 3.757 | 61.56 | | |
| H73A383ABK | 220-240/1/50 | 28900 | 8468 | 2910 | 9.9 | 2.9 | 39800 | 2490 | 16.0 | 15.5 | 82 | 28 | 4.147 | 67.95 | | |
| H73A383DBE | 380-415/3/50 | 28000 | 8204 | 2750 | 10.2 | 3.0 | 38600 | 2330 | 16.5 | 5.2 | 39 | 9.5 | 4.147 | 67.95 | | |
| H73A383DBE | 460/3/60 | 35600 | 10431 | 3430 | 10.4 | 3.0 | 48900 | 2910 | 16.8 | 5.5 | 39 | 9.5 | 4.147 | 67.95 | | |
| H73A383DBL | 200-220/3/50 | 28600 | 8380 | 2830 | 10.1 | 3.0 | 39300 | 2400 | 16.4 | 10.7 | 82 | 20 | 4.147 | 67.95 | | |
| H73A383DBL | 200-230/3/60 | 35600 | 10431 | 3430 | 10.4 | 3.0 | 48900 | 2910 | 16.8 | 10.4 | 78 | 20 | 4.147 | 67.95 | | |
| H73A423ABC | 208-230/1/60 | 39100 | 11456 | 3920 | 10.0 | 2.9 | 53100 | 3360 | 15.8 | 18.7 | 110 | 31.2 | 4.511 | 73.91 | | |
| H73A423ABK | 220-240/1/50 | 31200 | 9142 | 3090 | 10.1 | 3.0 | 42400 | 2650 | 16.0 | 16.7 | 90 | 28 | 4.505 | 73.81 | | |
| H73A423DBE | 380-415/3/50 | 31400 | 9200 | 3100 | 10.1 | 3.0 | 42700 | 2630 | 16.2 | 5.8 | 39 | 9.5 | 4.505 | 73.81 | | |
| H73A423DBL | 200-220/3/50 | 31700 | 9288 | 3060 | 10.3 | 3.0 | 43100 | 2600 | 16.6 | 11.2 | 82 | 20 | 4.511 | 73.91 | | |
| H73A423DBL | 200-230/3/60 | 39100 | 11456 | 3900 | 10.0 | 2.9 | 53100 | 3310 | 16.1 | 11.7 | 78 | 20 | 4.511 | 73.91 | | |
| H73A423DBW | 380-460/3/60 | 38100 | 11163 | 3820 | 10.0 | 2.9 | 52400 | 3270 | 16.1 | 6.7 | 44 | 11 | 4.505 | 73.81 | | |
| H73A463ABK | 220-240/1/50 | 35000 | 10255 | 3400 | 10.3 | 3.0 | 47500 | 2820 | 16.8 | 18.8 | 101 | 33 | 4.926 | 80.71 | | |
| H73A463DBE | 380-415/3/50 | 34600 | 10138 | 3480 | 10.0 | 2.9 | 46700 | 2970 | 15.7 | 6.3 | 45 | 13 | 4.926 | 80.71 | | |
| H73A463DBE | 460/3/60 | 41100 | 12042 | 4030 | 10.2 | 3.0 | 55500 | 3440 | 16.1 | 6.3 | 45 | 13 | 4.926 | 80.71 | | |
| H73A463DBL | 200-220/3/50 | 35300 | 10343 | 3500 | 10.1 | 3.0 | 47600 | 2990 | 15.9 | 12.7 | 90 | 24 | 4.926 | 80.71 | | |
| H73A503DBE | 380-415/3/50 | 37700 | 11046 | 3810 | 9.9 | 2.9 | 52200 | 3230 | 16.2 | 6.7 | 53 | 12.5 | 5.140 | 84.21 | | |
| H73A503DBL | 200-220/3/50 | 37900 | 11105 | 3900 | 9.7 | 2.8 | 52500 | 3310 | 15.9 | 14.7 | 106 | 25 | 5.140 | 84.21 | | |
| H73A543DBE | 380-415/3/50 | 41100 | 12042 | 4040 | 10.2 | 3.0 | 55800 | 3470 | 16.1 | 7.2 | 53 | 12.5 | 5.655 | 92.65 | | |
| H73A543DBE | 460/3/60 | 50000 | 14650 | 5050 | 9.9 | 2.9 | 67900 | 4370 | 15.6 | 7.5 | 53 | 14 | 5.655 | 92.65 | | |
| H73A543DBL | 200-220/3/50 | 41600 | 12189 | 4170 | 10.0 | 2.9 | 56600 | 3590 | 15.8 | 15.1 | 106 | 25 | 5.655 | 92.65 | | |
| H73A563ABC | 208-230/1/60 | 52400 | 15353 | 5280 | 9.9 | 2.9 | 71300 | 4600 | 15.5 | 24.6 | 142 | 45 | 5.818 | 95.33 | | |
| H73A563DBE | 380-415/3/50 | 42400 | 12423 | 4120 | 10.3 | 3.0 | 57700 | 3550 | 16.2 | 7.5 | 62 | 14 | 5.818 | 95.33 | | |
| H73A563DBE | 460/3/60 | 52400 | 15353 | 5190 | 10.1 | 3.0 | 71300 | 4500 | 15.9 | 8 | 62 | 15 | 5.818 | 95.33 | | |
| H73A563DBL | 200-220/3/50 | 42400 | 12423 | 4200 | 10.1 | 3.0 | 57700 | 3620 | 16.0 | 15.9 | 124 | 30 | 5.818 | 95.33 | | |
| H73A563DBL | 200-230/3/60 | 52400 | 15353 | 5190 | 10.1 | 3.0 | 71300 | 4500 | 15.9 | 15.3 | 124 | 30 | 5.818 | 95.33 | | |
| H73A623DBE | 380-415/3/50 | 46200 | 13537 | 4550 | 10.2 | 3.0 | 63200 | 3920 | 16.1 | 8.2 | 62 | 16 | 6.308 | 103.35 | | |
| H73A623DBE | 460/3/60 | 54200 | 15881 | 5450 | 10.0 | 2.9 | 74200 | 4700 | 15.8 | 8.5 | 62 | 16 | 6.308 | 103.35 | | |
| H73A623DBL | 200-220/3/50 | 46700 | 13683 | 4640 | 10.0 | 2.9 | 63800 | 4000 | 15.9 | 18 | 124 | 32 | 6.308 | 103.35 | | |
| H73A623DBL | 200-230/3/60 | 54200 | 15881 | 5450 | 10.0 | 2.9 | 74200 | 4700 | 15.8 | 17 | 124 | 32 | 6.308 | 103.35 | | |

Data Subject to Revision

| Model | Oil Charge | | Weight Net Ship | | | | ELECTRICAL START COMPONENTS | | | DIMENSIONS | | | | | |
|------------|------------|-----|-----------------|------|------|------|-----------------------------|-----------------|-------------|------------|--------|-------|--------|-------|--------|
| | | | | | | | Run Capacitor | Start Capacitor | G.E. | A | | B | | C | |
| | OZ | L | Lbs | Kg | Lbs | Kg | MFD/VOLTS | MFD/VOLTS | Relay | IN | MM | IN | MM | IN | MM |
| H73A353ABH | 50 | 1.5 | 74.0 | 33.6 | 78.5 | 35.6 | 35/370 | 145-175/250 | 3AAR3*25AV* | 14.25 | 361.95 | 14.63 | 371.60 | 14.90 | 378.46 |
| H73A353DBE | 50 | 1.5 | 73.0 | 33.1 | 77.5 | 35.2 | N/A | N/A | N/A | 14.19 | 360.43 | 14.63 | 371.60 | 14.90 | 378.46 |
| H73A353DBL | 50 | 1.5 | 73.0 | 33.1 | 77.5 | 35.2 | N/A | N/A | N/A | 14.25 | 361.95 | 14.63 | 371.60 | 14.90 | 378.46 |
| H73A383ABK | 50 | 1.5 | 78.0 | 35.4 | 82.5 | 37.4 | 35/440 | 145-175/330 | 3ARR3*4AA* | 14.25 | 361.95 | 14.63 | 371.60 | 14.90 | 378.46 |
| H73A383DBE | 50 | 1.5 | 74.0 | 33.6 | 78.5 | 35.6 | N/A | N/A | N/A | 14.19 | 360.43 | 14.63 | 371.60 | 14.90 | 378.46 |
| H73A383DBE | 50 | 1.5 | 74.0 | 33.6 | 78.5 | 35.6 | N/A | N/A | N/A | 14.19 | 360.43 | 14.63 | 371.60 | 14.90 | 378.46 |
| H73A383DBL | 50 | 1.5 | 74.0 | 33.6 | 78.5 | 35.6 | N/A | N/A | N/A | 14.25 | 361.95 | 14.63 | 371.60 | 14.90 | 378.46 |
| H73A383DBL | 50 | 1.5 | 74.0 | 33.6 | 78.5 | 35.6 | N/A | N/A | N/A | 14.25 | 361.95 | 14.63 | 371.60 | 14.90 | 378.46 |
| H73A423ABC | 50 | 1.5 | 78.0 | 35.4 | 82.5 | 37.4 | 40/440 | 145-175/250 | 3ARR3*4A* | 14.25 | 361.95 | 14.63 | 371.60 | 14.90 | 378.46 |
| H73A423ABK | 50 | 1.5 | 78.0 | 35.4 | 82.5 | 37.4 | 40/440 | 145-175/330 | 3ARR*27AA* | 14.25 | 361.95 | 14.63 | 371.60 | 14.90 | 378.46 |
| H73A423DBE | 50 | 1.5 | 74.0 | 33.6 | 78.5 | 35.6 | N/A | N/A | N/A | 14.19 | 360.43 | 14.63 | 371.60 | 14.90 | 378.46 |
| H73A423DBL | 50 | 1.5 | 74.0 | 33.6 | 78.5 | 35.6 | N/A | N/A | N/A | 14.25 | 361.95 | 14.63 | 371.60 | 14.90 | 378.46 |
| H73A423DBL | 50 | 1.5 | 74.0 | 33.6 | 78.5 | 35.6 | N/A | N/A | N/A | 14.25 | 361.95 | 14.63 | 371.60 | 14.90 | 378.46 |
| H73A423DBW | 50 | 1.5 | 74.0 | 33.6 | 78.5 | 35.6 | N/A | N/A | N/A | 12.50 | 317.50 | 14.63 | 371.60 | 14.90 | 378.46 |
| H73A463ABK | 50 | 1.5 | 85.0 | 38.6 | 89.5 | 40.6 | 40/440 | 145-175/330 | 3ARR3*4AA* | 14.06 | 357.12 | 14.63 | 371.60 | 14.90 | 378.46 |
| H73A463DBE | 55 | 1.6 | 74.0 | 33.6 | 78.5 | 35.6 | N/A | N/A | N/A | 14.10 | 358.14 | 14.63 | 371.60 | 14.90 | 378.46 |
| H73A463DBE | 55 | 1.6 | 74.0 | 33.6 | 78.5 | 35.6 | N/A | N/A | N/A | 14.10 | 358.14 | 14.63 | 371.60 | 14.90 | 378.46 |
| H73A463DBL | 55 | 1.6 | 74.0 | 33.6 | 78.5 | 35.6 | N/A | N/A | N/A | 14.06 | 357.12 | 14.63 | 371.60 | 14.90 | 378.46 |
| H73A503DBE | 55 | 1.6 | 79.5 | 36.1 | 84.0 | 38.1 | N/A | N/A | N/A | 15.56 | 395.22 | 16.13 | 409.70 | 16.40 | 416.56 |
| H73A503DBL | 55 | 1.6 | 79.5 | 36.1 | 84.0 | 38.1 | N/A | N/A | N/A | 15.56 | 395.22 | 16.13 | 409.70 | 16.40 | 416.56 |
| H73A543DBE | 55 | 1.6 | 79.5 | 36.1 | 84.0 | 38.1 | N/A | N/A | N/A | 15.60 | 396.24 | 16.10 | 408.94 | 16.40 | 416.56 |
| H73A543DBE | 55 | 1.6 | 79.5 | 36.1 | 84.0 | 38.1 | N/A | N/A | N/A | 15.60 | 396.24 | 16.10 | 408.94 | 16.40 | 416.56 |
| H73A543DBL | 55 | 1.6 | 79.5 | 36.1 | 84.0 | 38.1 | N/A | N/A | N/A | 15.56 | 395.22 | 16.13 | 409.70 | 16.40 | 416.56 |
| H73A563ABC | 55 | 1.6 | 91.0 | 41.3 | 95.5 | 43.3 | 55/440 | 135-155/330 | 3ARR3*6U* | 15.56 | 395.22 | 16.13 | 409.70 | 16.40 | 416.56 |
| H73A563DBE | 55 | 1.6 | 83.0 | 37.6 | 87.5 | 39.7 | N/A | N/A | N/A | 15.56 | 395.22 | 16.13 | 409.70 | 16.40 | 416.56 |
| H73A563DBE | 55 | 1.6 | 83.0 | 37.6 | 87.5 | 39.7 | N/A | N/A | N/A | 15.56 | 395.22 | 16.13 | 409.70 | 16.40 | 416.56 |
| H73A563DBL | 55 | 1.6 | 83.0 | 37.6 | 87.5 | 39.7 | N/A | N/A | N/A | 15.56 | 395.22 | 16.13 | 409.70 | 16.40 | 416.56 |
| H73A563DBL | 55 | 1.6 | 83.0 | 37.6 | 87.5 | 39.7 | N/A | N/A | N/A | 15.56 | 395.22 | 16.13 | 409.70 | 16.40 | 416.56 |
| H73A623DBE | 55 | 1.6 | 83.0 | 37.6 | 87.5 | 39.7 | N/A | N/A | N/A | 15.60 | 396.24 | 16.10 | 408.94 | 16.40 | 416.56 |
| H73A623DBE | 55 | 1.6 | 83.0 | 37.6 | 87.5 | 39.7 | N/A | N/A | N/A | 15.60 | 396.24 | 16.10 | 408.94 | 16.40 | 416.56 |
| H73A623DBL | 55 | 1.6 | 83.0 | 37.6 | 87.5 | 39.7 | N/A | N/A | N/A | 15.56 | 395.22 | 16.13 | 409.70 | 16.40 | 416.56 |
| H73A623DBL | 55 | 1.6 | 83.0 | 37.6 | 87.5 | 39.7 | N/A | N/A | N/A | 15.56 | 395.22 | 16.13 | 409.70 | 16.40 | 416.56 |

H73A



H79A SERIES

| Model | Volts Phase Hz | @45/130 | | | | | @45/100 | | | | | Electrical Data | | | Displacement | |
|-------|----------------|----------|-------|-------------------|---------|-----|----------|-------------------|-----|-----|-----|-----------------|---------|---------|--------------|--------|
| | | Capacity | | Motor Input WATTS | EER/COP | | Capacity | Motor Input WATTS | EER | RLA | LRA | MCC | IN3/REV | CM3/REV | | |
| | | BTU/H | WATTS | | BTU/WH | W/W | | | | | | | | | BTU/H | BTU/WH |

H79A SERIES (R407C)

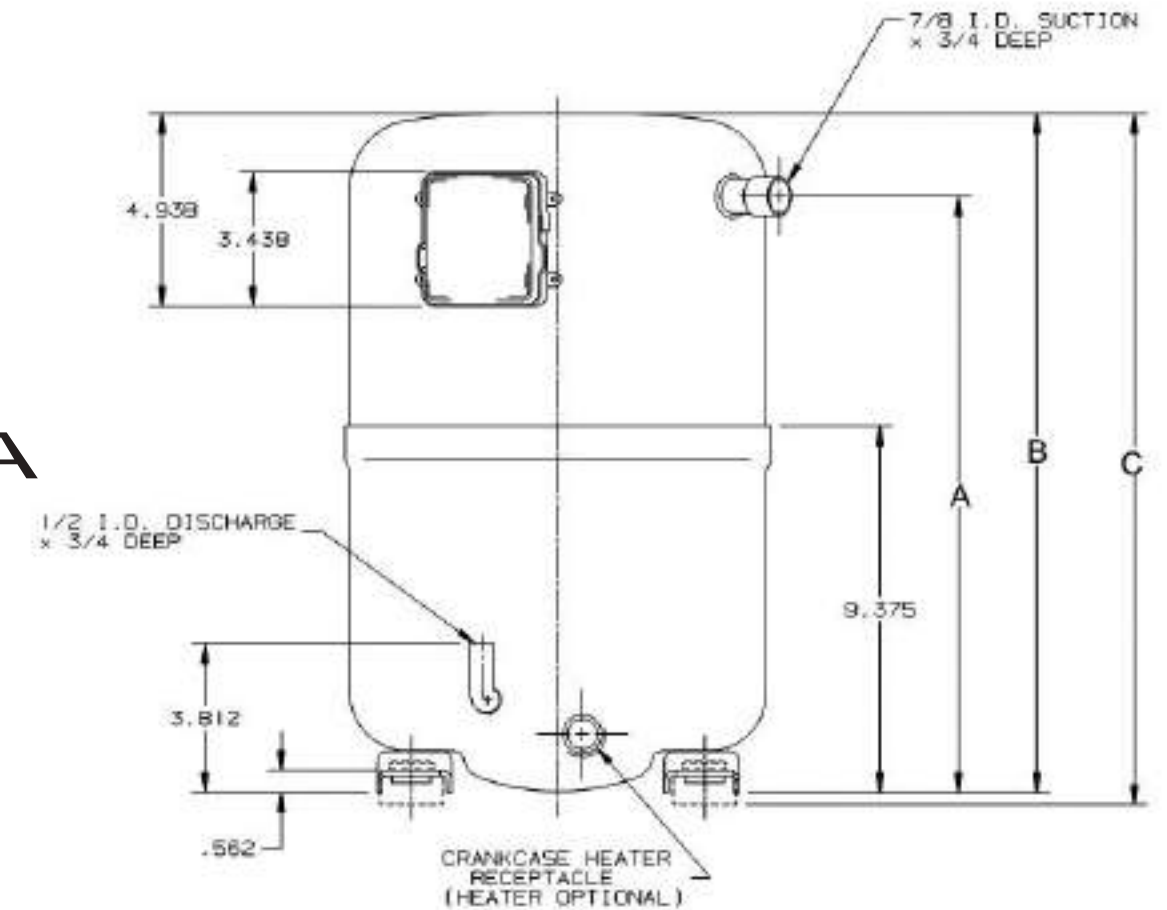
| | | | | | | | | | | | | | | |
|------------|--------------|-------|-------|------|------|-----|-------|------|------|------|-----|------|-------|--------|
| H79A383DBV | 380-415/3/50 | 27500 | 8058 | 2600 | 10.6 | 3.1 | 38600 | 2140 | 18.1 | 4.8 | 54 | 11 | 4.147 | 67.95 |
| H79A383DBV | 380-460/3/60 | 33900 | 9933 | 3140 | 10.8 | 3.2 | 47300 | 2550 | 18.5 | 4.8 | 54 | 10.5 | 4.147 | 67.95 |
| H79A423DBL | 200-220/3/50 | 32000 | 9376 | 2880 | 11.1 | 3.3 | 45000 | 2370 | 18.9 | 10.7 | 138 | 20 | 4.505 | 73.81 |
| H79A423DBL | 200-230/3/60 | 38300 | 11222 | 3480 | 11.0 | 3.2 | 54000 | 2840 | 19.0 | 10.7 | 130 | 20 | 4.505 | 73.81 |
| H79A423DBV | 380-415/3/50 | 32000 | 9376 | 2880 | 11.1 | 3.3 | 45000 | 2370 | 18.9 | 5.9 | 67 | 12 | 4.486 | 73.50 |
| H79A423DBV | 380-460/3/60 | 38300 | 11222 | 3480 | 11.0 | 3.2 | 54000 | 2840 | 19.0 | 5.6 | 64 | 12 | 4.486 | 73.50 |
| H79A473DBV | 380-415/3/50 | 34600 | 10138 | 3070 | 11.2 | 3.3 | 47200 | 2530 | 18.6 | 5.5 | 64 | 11 | 4.939 | 80.92 |
| H79A473DBV | 380-460/3/60 | 42500 | 12453 | 3900 | 10.9 | 3.2 | 59900 | 3190 | 18.8 | 6.3 | 64 | 12 | 4.939 | 80.92 |
| H79A503DBV | 380-415/3/50 | 37800 | 11075 | 3340 | 11.3 | 3.3 | 50700 | 2680 | 19.0 | 6.6 | 71 | 12 | 5.202 | 85.23 |
| H79A503DBV | 380-460/3/60 | 45900 | 13449 | 4120 | 11.1 | 3.3 | 61600 | 3300 | 18.7 | 6.6 | 69 | 12 | 5.202 | 85.23 |
| H79A563DBV | 380-415/3/50 | 43300 | 12687 | 3780 | 11.5 | 3.4 | 55400 | 2960 | 18.7 | 7 | 79 | 15.5 | 5.699 | 93.37 |
| H79A563DBV | 380-460/3/60 | 52400 | 15353 | 4580 | 11.4 | 3.3 | 65900 | 3600 | 18.3 | 7 | 75 | 15.5 | 5.699 | 93.37 |
| H79A623DBV | 380-415/3/50 | 46400 | 13595 | 4120 | 11.3 | 3.3 | 61700 | 3290 | 18.8 | 7.9 | 76 | 18 | 6.183 | 101.30 |
| H79A723DBE | 380-415/3/50 | 55700 | 16320 | 5170 | 10.8 | 3.2 | 69400 | 4100 | 16.9 | 9.6 | 79 | 14 | 7.150 | 117.15 |
| H79A723DBE | 460/3/60 | 66900 | 19602 | 6270 | 10.7 | 3.1 | 83200 | 5040 | 16.5 | 9.4 | 84 | 16 | 7.150 | 117.15 |
| H79A723DBV | 380-415/3/50 | 55700 | 16320 | 5170 | 10.8 | 3.2 | 69400 | 4100 | 16.9 | 9.6 | 79 | 14 | 7.150 | 117.15 |
| H79A723DBV | 380-460/3/60 | 66900 | 19602 | 6270 | 10.7 | 3.1 | 83200 | 5040 | 16.5 | 9.4 | 84 | 16 | 7.150 | 117.15 |

Data Subject to Revision

| Model | Oil Charge | | Weight | | | | ELECTRICAL START COMPONENTS | | | DIMENSIONS | | | | | |
|-------|------------|---|--------|----|------|----|-----------------------------|---------------------------|------------|------------|----|----|----|----|----|
| | OZ | L | Net | | Ship | | Run Capacitor MFD/VOLTS | Start Capacitor MFD/VOLTS | G.E. Relay | A | | B | | C | |
| | | | Lbs | Kg | Lbs | Kg | | | | IN | MM | IN | MM | IN | MM |

| | | | | | | | | | | | | | | | |
|------------|----|-----|-------|------|-------|------|-----|-----|-----|-------|--------|-------|--------|-------|--------|
| H79A383DBV | 65 | 1.9 | 94.0 | 42.6 | 98.5 | 44.7 | N/A | N/A | N/A | 15.56 | 395.22 | 16.13 | 409.70 | 16.44 | 417.58 |
| H79A383DBV | 65 | 1.9 | 94.0 | 42.6 | 98.5 | 44.7 | N/A | N/A | N/A | 15.56 | 395.22 | 16.13 | 409.70 | 16.44 | 417.58 |
| H79A423DBL | 65 | 1.9 | 94.5 | 42.9 | 98.5 | 44.7 | N/A | N/A | N/A | 16.81 | 426.97 | 17.37 | 441.20 | 17.69 | 449.33 |
| H79A423DBL | 65 | 1.9 | 94.5 | 42.9 | 98.5 | 44.7 | N/A | N/A | N/A | 16.81 | 426.97 | 17.37 | 441.20 | 17.69 | 449.33 |
| H79A423DBV | 65 | 1.9 | 94.0 | 42.6 | 98.5 | 44.7 | N/A | N/A | N/A | 16.82 | 427.23 | 17.37 | 441.20 | 17.69 | 449.33 |
| H79A423DBV | 65 | 1.9 | 94.0 | 42.6 | 98.5 | 44.7 | N/A | N/A | N/A | 16.81 | 426.97 | 17.37 | 441.20 | 17.69 | 449.33 |
| H79A473DBV | 65 | 1.9 | 94.5 | 42.9 | 98.5 | 44.7 | N/A | N/A | N/A | 16.81 | 426.97 | 17.37 | 441.20 | 17.69 | 449.33 |
| H79A473DBV | 65 | 1.9 | 94.5 | 42.9 | 98.5 | 44.7 | N/A | N/A | N/A | 16.81 | 426.97 | 17.37 | 441.20 | 17.69 | 449.33 |
| H79A503DBV | 65 | 1.9 | 100.5 | 45.6 | 104.5 | 47.4 | N/A | N/A | N/A | 15.25 | 387.35 | 17.37 | 441.20 | 17.69 | 449.33 |
| H79A503DBV | 65 | 1.9 | 100.5 | 45.6 | 104.5 | 47.4 | N/A | N/A | N/A | 15.25 | 387.35 | 17.37 | 441.20 | 17.69 | 449.33 |
| H79A563DBV | 65 | 1.9 | 105.5 | 47.9 | 109.5 | 49.7 | N/A | N/A | N/A | 16.81 | 426.97 | 17.37 | 441.20 | 17.69 | 449.33 |
| H79A563DBV | 65 | 1.9 | 105.5 | 47.9 | 109.5 | 49.7 | N/A | N/A | N/A | 16.81 | 426.97 | 17.37 | 441.20 | 17.69 | 449.33 |
| H79A623DBV | 65 | 1.9 | 105.0 | 47.6 | 109.5 | 49.7 | N/A | N/A | N/A | 16.81 | 426.97 | 17.37 | 441.20 | 17.69 | 449.33 |
| H79A723DBE | 65 | 1.9 | 105.5 | 47.9 | 109.5 | 49.7 | N/A | N/A | N/A | 16.81 | 426.97 | 17.37 | 441.20 | 17.69 | 449.33 |
| H79A723DBE | 65 | 1.9 | 105.5 | 47.9 | 109.5 | 49.7 | N/A | N/A | N/A | 16.81 | 426.97 | 17.37 | 441.20 | 17.69 | 449.33 |
| H79A723DBV | 65 | 1.9 | 105.5 | 47.9 | 109.5 | 49.7 | N/A | N/A | N/A | 15.25 | 387.35 | 17.37 | 441.20 | 17.69 | 449.33 |
| H79A723DBV | 65 | 1.9 | 105.0 | 47.6 | 109.5 | 49.7 | N/A | N/A | N/A | 15.25 | 387.35 | 17.37 | 441.20 | 17.69 | 449.33 |

H79A



H2EB SERIES

| Model | Volts Phase Hz | @45/130 | | | | | @45/100 | | | | | Electrical Data | | | Displacement | |
|-------|----------------|----------|-------|-------------------|---------|-----|----------|-------------------|-----|-----|-----|-----------------|---------|---------|--------------|--------|
| | | Capacity | | Motor Input WATTS | EER/COP | | Capacity | Motor Input WATTS | EER | RLA | LRA | MCC | IN3/REV | CM3/REV | | |
| | | BTU/H | WATTS | | BTU/WH | W/W | | | | | | | | | BTU/H | BTU/WH |

H2EB SERIES (R22)

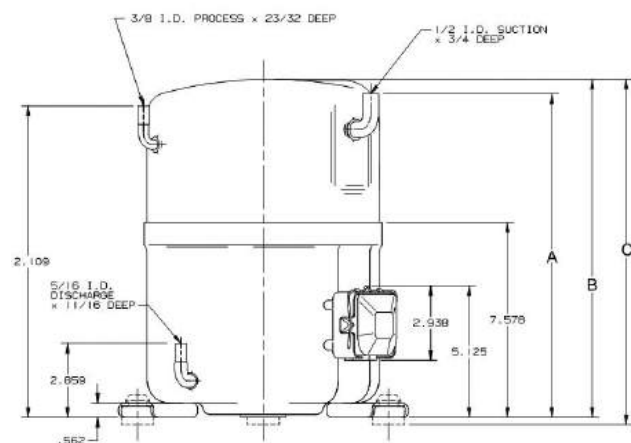
| | | | | | | | | | | | | | | |
|------------|--------------|-------|------|------|-----|-----|--------|------|------|------|----|------|-------|-------|
| H2EB153ABC | 208-230/1/60 | 15200 | 4454 | 1680 | 9.0 | 2.6 | 20600 | 1440 | 14.3 | 9 | 45 | 13.5 | 1.946 | 32.94 |
| H2EB153ABK | 220-240/1/50 | 12500 | 3662 | 1430 | 8.7 | 2.5 | 16700 | 1220 | 13.7 | 7.2 | 43 | 9.6 | 1.946 | 31.89 |
| H2EB173ABK | 220-240/1/50 | 14200 | 4161 | 1590 | 8.9 | 2.6 | 19300 | 1340 | 14.4 | 7.9 | 43 | 12.5 | 2.139 | 35.06 |
| H2EB18SABC | 208-230/1/60 | 17600 | 5157 | 1930 | 9.1 | 2.7 | 22900 | 1630 | 14.1 | 10.2 | 60 | 15 | 2.144 | 36.3 |
| H2EB193ABC | 208-230/1/60 | 19000 | 5567 | 2100 | 9.1 | 2.7 | 24600 | 1760 | 14.0 | 11.2 | 61 | 15 | 2.341 | 39.63 |
| H2EB193ABK | 220-240/1/50 | 15400 | 4512 | 1740 | 8.8 | 2.6 | 20200 | 1490 | 13.5 | 8.5 | 42 | 14 | 2.341 | 38.37 |
| H2EB203ABC | 208-230/1/60 | 20000 | 5868 | 2200 | 9.0 | 2.6 | 26400 | 1810 | 14.6 | 11 | 61 | 17 | 2.463 | 40.36 |
| H2EB20SABC | 208-230/1/60 | 19800 | 5801 | 2170 | 9.1 | 2.7 | 26200 | 1770 | 14.8 | 11.2 | 55 | 16.5 | 2.463 | 40.36 |
| H2EB223ABC | 208-230/1/60 | 21800 | 6387 | 2421 | 9.0 | 2.6 | 28200 | 2130 | 13.2 | 12.1 | 61 | 18.2 | 2.699 | 44.22 |
| H2EB223ABK | 220-240/1/50 | 18200 | 5333 | 1940 | 9.4 | 2.8 | 23800 | 1660 | 14.4 | 9.7 | 63 | 15 | 2.586 | 42.38 |
| H2EB22SABK | 220-240/1/50 | 18600 | 5450 | 1960 | 9.5 | 2.8 | 24400 | 1680 | 14.5 | 9.8 | 58 | 16 | 2.586 | 42.38 |
| H2EB243ABC | 208-230/1/60 | 23800 | 6973 | 2460 | 9.7 | 2.8 | 312000 | 2160 | 14.5 | 10.6 | 66 | 18.4 | 2.844 | 46.60 |
| H2EB243ABK | 220-240/1/50 | 20600 | 6035 | 2200 | 9.3 | 2.7 | 26600 | 1850 | 14.4 | 10.4 | 63 | 16.6 | 2.844 | 46.60 |
| H2EB243ABP | 220-240/1/50 | 20600 | 6035 | 2090 | 9.8 | 2.9 | 26500 | 1720 | 15.4 | 11.3 | 78 | 20 | 2.844 | 46.60 |
| H2EB24SABC | 208-230/1/60 | 23600 | 6915 | 2510 | 9.4 | 2.8 | 30900 | 2270 | 13.6 | 13 | 73 | 20.5 | 2.849 | 48.23 |
| H2EB24SABK | 220-240/1/50 | 20200 | 5919 | 2130 | 9.5 | 2.8 | 26100 | 1780 | 14.7 | 10.6 | 58 | 17 | 2.844 | 46.61 |
| H2EB263ABC | 208-230/1/60 | 26300 | 7705 | 2900 | 9.3 | 2.7 | 33800 | 2360 | 14.3 | 12.8 | 83 | 21 | 3.131 | 51.30 |
| H2EB263ABK | 220-240/1/50 | 22600 | 6631 | 2450 | 9.2 | 2.7 | 28900 | 2080 | 13.9 | 11.6 | 63 | 17.2 | 3.079 | 50.45 |
| H2EB26SABC | 208-230/1/60 | 25700 | 7530 | 2820 | 9.1 | 2.7 | 33000 | 2360 | 14.0 | 13.4 | 73 | 20 | 3.131 | 51.30 |
| H2EB283ABC | 208-230/1/60 | 28100 | 8233 | 3100 | 9.1 | 2.7 | 35700 | 2780 | 12.8 | 13.5 | 83 | 22.5 | 3.361 | 55.07 |
| H2EB283ABK | 220-240/1/50 | 23500 | 6885 | 2560 | 9.2 | 2.7 | 30100 | 2190 | 13.8 | 12.6 | 76 | 22 | 3.281 | 53.76 |
| H2EB28SABC | 208-230/1/60 | 28300 | 8292 | 3110 | 9.1 | 2.7 | 35900 | 2790 | 12.9 | 14.9 | 81 | 21 | 3.361 | 55.07 |
| H2EB293ABK | 220-240/1/50 | 24300 | 7130 | 2700 | 9.0 | 2.6 | 31000 | 2350 | 13.2 | 13.5 | 76 | 22 | 3.413 | 55.92 |
| H2EB29SABK | 220-240/1/50 | 24500 | 7178 | 2660 | 9.2 | 2.7 | 31300 | 2310 | 13.5 | 13.5 | 72 | 20.5 | 3.413 | 55.94 |
| H2EB323ABC | 208-230/1/60 | 30800 | 9024 | 3500 | 8.8 | 2.6 | 38300 | 3100 | 12.3 | 16.5 | 93 | 24 | 3.695 | 62.56 |
| H2EB323ABK | 220-240/1/50 | 26600 | 7793 | 2910 | 9.2 | 2.7 | 33600 | 2430 | 13.8 | 13.3 | 73 | 21.5 | 3.643 | 59.69 |
| H2EB323ABP | 220-240/1/50 | 26600 | 7775 | 2800 | 9.5 | 2.8 | 33400 | 2360 | 14.2 | 15.1 | 95 | 23 | 3.643 | 59.69 |
| H2EB32SABC | 208-230/1/60 | 31500 | 9229 | 3430 | 9.2 | 2.7 | 38900 | 2930 | 13.2 | 15.7 | 93 | 25 | 3.695 | 62.56 |
| H2EB32SABK | 220-240/1/50 | 26000 | 7618 | 2890 | 9.0 | 2.6 | 32800 | 2410 | 13.6 | 14.3 | 72 | 20 | 3.643 | 59.69 |

H22B SERIES (R22)

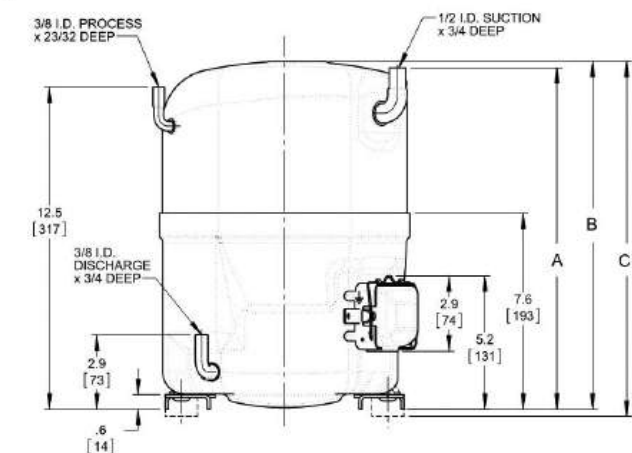
| | | | | | | | | | | | | | | |
|------------|--------------|-------|------|------|------|-----|-------|------|------|-----|----|------|-------|------|
| H22B243ABK | 220-240/1/50 | 19800 | 5801 | 1870 | 10.5 | 3.1 | 26400 | 1460 | 18.1 | 9.5 | 53 | 13.5 | 2.539 | 41.6 |
|------------|--------------|-------|------|------|------|-----|-------|------|------|-----|----|------|-------|------|

Data Subject to Revision

H2EB



H22B



| Model | Oil Charge | L | Weight Net Ship | | | | ELECTRICAL START COMPONENTS | | | DIMENSIONS | | | | | | |
|------------|------------|-----|-----------------|------|------|------|-----------------------------|---------------|-----------------|------------|--------|-------|--------|-------|--------|----|
| | | | OZ | Lbs | Kg | Lbs | Kg | Run Capacitor | Start Capacitor | G.E. | A | | B | | C | |
| | | | | | | | | | | | IN | MM | IN | MM | IN | MM |
| H2EB153ABC | 40 | 1.1 | 52.0 | 23.6 | 55.0 | 24.9 | 20/370 | 88-108/250 | 3ARR3*3U* | 11.90 | 302.26 | 12.60 | 320.04 | 12.90 | 327.66 | |
| H2EB153ABK | 40 | 1.1 | 54.0 | 24.5 | 57.0 | 25.9 | 25/370 | 88-108/250 | 3ARR3*10AU | 12.00 | 304.80 | 12.60 | 320.04 | 12.90 | 327.70 | |
| H2EB173ABK | 40 | 1.1 | 54.0 | 24.5 | 57.0 | 25.9 | 25/370 | 88-108/250 | 3ARR3*25AS* | 12.00 | 304.80 | 12.60 | 320.04 | 12.90 | 327.70 | |
| H2EB18SABC | 30 | .9 | 50.0 | 22.7 | 53.0 | 24.0 | 25/370 | 145-175/250 | 3ARR3*3V* | 11.90 | 302.26 | 12.60 | 320.04 | 12.90 | 327.66 | |
| H2EB193ABC | 40 | 1.1 | 54.0 | 24.5 | 57.0 | 25.9 | 25/370 | 88-108/250 | 3ARR3*10S* | 11.90 | 302.26 | 12.60 | 320.04 | 12.90 | 327.66 | |
| H2EB193ABK | 40 | 1.1 | 54.0 | 24.5 | 57.0 | 25.9 | 25/370 | 88-108/250 | 3ARR3*25AS* | 12.00 | 304.80 | 12.60 | 320.04 | 12.90 | 327.70 | |
| H2EB203ABC | 40 | 1.1 | 54.0 | 24.6 | 57.0 | 25.9 | 25/370 | 88-108/250 | 3ARR3*10S* | 12.00 | 303.70 | 12.60 | 320.30 | 12.90 | 327.40 | |
| H2EB20SABC | 30 | .9 | 49.5 | 22.5 | 53.0 | 24.0 | 25/370 | 145-175/250 | 3ARR3*3A* | 12.10 | 307.34 | 12.50 | 317.50 | 12.80 | 325.12 | |
| H2EB223ABC | 40 | 1.1 | 54.0 | 24.6 | 57.0 | 25.9 | 25/370 | 88-108/250 | 3ARR3*10S* | 12.00 | 303.70 | 12.60 | 320.30 | 12.90 | 327.40 | |
| H2EB223ABK | 40 | 1.1 | 54.5 | 24.7 | 58.0 | 26.3 | 35/370 | 145-175/250 | 3ARR3*10AT | 12.60 | 320.04 | 13.30 | 337.82 | 13.50 | 342.90 | |
| H2EB22SABK | 30 | .9 | 54.0 | 24.5 | 57.5 | 26.1 | 30/370 | 145-175/250 | 3ARR3*10AU | 12.70 | 322.58 | 13.10 | 332.74 | 13.40 | 340.40 | |
| H2EB243ABC | 40 | 1.1 | 60.5 | 27.5 | 64.0 | 29.1 | 35/370 | 88-108/250 | 3ARR3*24AP* | 12.90 | 326.10 | 13.30 | 336.20 | 13.50 | 343.30 | |
| H2EB243ABK | 40 | 1.1 | 54.5 | 24.8 | 58.0 | 26.4 | 35/370 | 145-175/250 | 3ARR3*10AT* | 12.60 | 319.70 | 13.30 | 336.20 | 13.50 | 343.30 | |
| H2EB243ABP | 40 | 1.1 | 60.5 | 27.5 | 64.0 | 29.1 | 35/440 | 88-108/250 | 3ARR3*24AP* | 12.60 | 319.70 | 13.30 | 336.20 | 13.50 | 343.30 | |
| H2EB24SABC | 30 | .9 | 53.5 | 24.3 | 57.0 | 25.9 | 30/370 | 145-175/250 | 3ARR3*10W* | 11.10 | 281.94 | 13.10 | 332.74 | 13.40 | 340.36 | |
| H2EB24SABK | 30 | .9 | 54.0 | 24.5 | 57.5 | 26.1 | 35/370 | 145-175/250 | 3ARR3*10AU | 12.70 | 322.58 | 13.10 | 332.74 | 13.40 | 340.70 | |
| H2EB263ABC | 40 | 1.1 | 61.0 | 27.8 | 64.5 | 29.3 | 35/370 | 145-175/250 | 3ARR3*24P* | 12.60 | 319.70 | 13.30 | 336.20 | 13.50 | 343.30 | |
| H2EB263ABK | 40 | 1.1 | 54.5 | 24.8 | 58.0 | 26.4 | 35/370 | 145-175/250 | 3ARR3*10AT* | 12.60 | 319.70 | 13.30 | 336.20 | 13.50 | 343.30 | |
| H2EB26SABC | 30 | .9 | 53.5 | 24.3 | 57.0 | 25.9 | 35/370 | 145-175/250 | 3ARR3*3U* | 12.70 | 322.58 | 13.10 | 332.74 | 13.40 | 340.36 | |
| H2EB283ABC | 40 | 1.1 | 59.5 | 27.1 | 63.0 | 28.7 | 45/370 | 145-175/250 | 3ARR3*3R* | 12.90 | 326.10 | 13.30 | 336.20 | 13.50 | 343.30 | |
| H2EB283ABK | 40 | 1.1 | 61.0 | 27.8 | 64.5 | 29.3 | 40/370 | 88-108/250 | 3ARR3*24AP* | 12.90 | 326.10 | 13.30 | 336.20 | 13.50 | 343.30 | |
| H2EB28SABC | 30 | .9 | 55.5 | 25.2 | 59.0 | 26.8 | 45/370 | 145-175/250 | 3ARR3*10S* | 12.70 | 322.58 | 13.30 | 337.82 | 13.60 | 345.44 | |
| H2EB293ABK | 40 | 1.1 | 61.0 | 27.8 | 64.5 | 29.3 | 40/370 | 88-108/250 | 3ARR3*24AP* | 12.90 | 326.10 | 13.30 | 336.20 | 13.50 | 343.30 | |
| H2EB29SABK | 30 | .9 | 56.0 | 25.4 | 59.5 | 27.0 | 40/370 | 145-175/250 | 3ARR3*24AP* | 12.70 | 322.58 | 13.40 | 340.36 | 13.70 | 348.00 | |
| H2EB323ABC | 40 | 1.1 | 61.0 | 27.7 | 64.5 | 29.3 | 45/440 | 145-175/250 | 3ARR3*10S* | 12.60 | 320.04 | 13.20 | 335.28 | 13.50 | 342.90 | |
| H2EB323ABK | 40 | 1.1 | 61.0 | 27.8 | 64.5 | 29.3 | 45/370 | 145-175/250 | 3ARR3*10AT | 12.90 | 326.10 | 13.30 | 336.20 | 13.50 | 343.30 | |
| H2EB323ABP | 40 | 1.1 | 63.5 | 28.9 | 67.0 | 30.5 | 45/440 | 88-108/250 | 3ARR3*24AP* | 13.40 | 338.80 | 13.80 | 348.80 | 14.00 | 356.00 | |
| H2EB32SABC | 30 | .9 | 58.5 | 26.5 | 62.0 | 28.1 | 45/440 | 189-227/250 | 3ARR3*10V*() | 11.60 | 294.64 | 13.50 | 342.90 | 13.80 | 350.52 | |
| H2EB32SABK | 30 | .9 | 56.0 | 25.4 | 59.5 | 27.0 | 45/370 | 145-175/250 | 3ARR3*6AS*() | 12.70 | 322.58 | 13.40 | 340.36 | 13.70 | 348.00 | |
| H22B243ABK | 35 | 1.0 | 58.0 | 26.3 | 61.5 | 27.9 | 35/370 | 145-175/250 | 10AU() | 12.90 | 328.00 | 13.50 | 343.00 | 13.80 | 351.00 | |

H29B SERIES

| Model | Volts Phase Hz | @45/130 | | | | | @45/100 | | | | | Electrical Data | | | Displacement | |
|-------|----------------|----------|-------|-------------------|---------|-----|----------|-------------------|-----|-----|-----|-----------------|---------|---------|--------------|--------|
| | | Capacity | | Motor Input WATTS | EER/COP | | Capacity | Motor Input WATTS | EER | RLA | LRA | MCC | IN3/REV | CM3/REV | | |
| | | BTU/H | WATTS | | BTU/WH | W/W | | | | | | | | | BTU/H | BTU/WH |

H29B SERIES (R22)

| | | | | | | | | | | | | | | |
|------------|--------------|-------|------|------|------|-----|-------|------|------|------|----|------|-------|-------|
| H29B13UABC | 208-230/1/60 | 13300 | 3897 | 1260 | 10.5 | 3.1 | 19000 | 1080 | 17.6 | 6 | 48 | 10 | 1.664 | 27.26 |
| H29B14UABC | 208-230/1/60 | 14100 | 4131 | 1350 | 10.4 | 3.0 | 19800 | 1150 | 17.3 | 6.1 | 48 | 12 | 1.786 | 29.26 |
| H29B15UABC | 208-230/1/60 | 15500 | 4541 | 1470 | 10.5 | 3.1 | 21300 | 1210 | 17.6 | 6.7 | 48 | 12 | 1.946 | 31.88 |
| H29B16UABC | 208-230/1/60 | 16600 | 4841 | 1550 | 10.7 | 3.1 | 22700 | 1270 | 17.8 | 6.8 | 48 | 14 | 1.993 | 32.65 |
| H29B17UABC | 208-230/1/60 | 17200 | 5047 | 1610 | 10.7 | 3.1 | 23600 | 1330 | 17.8 | 7.2 | 48 | 14 | 2.040 | 33.42 |
| H29B17UABH | 265/1/60 | 17400 | 5106 | 1630 | 10.7 | 3.1 | 23400 | 1370 | 17.1 | 6.2 | 44 | 12 | 2.040 | 33.42 |
| H29B17UABH | 220-240/1/50 | 14800 | 4343 | 1410 | 10.5 | 3.1 | 19900 | 1120 | 17.9 | 6.4 | 42 | 11 | 2.040 | 33.42 |
| H29B18UABC | 208-230/1/60 | 18300 | 5311 | 1700 | 10.7 | 3.1 | 24900 | 1410 | 17.7 | 7.4 | 48 | 14 | 2.139 | 35.05 |
| H29B18UABH | 265/1/60 | 18100 | 5282 | 1680 | 10.8 | 3.2 | 24300 | 1390 | 17.5 | 6.5 | 44 | 11.5 | 2.139 | 35.05 |
| H29B18UABH | 220-240/1/50 | 15300 | 4489 | 1440 | 10.6 | 3.1 | 20500 | 1160 | 17.7 | 6.7 | 42 | 12 | 2.139 | 35.05 |
| H29B20UABC | 208-230/1/60 | 20500 | 6006 | 1910 | 10.7 | 3.1 | 26900 | 1580 | 17.1 | 8.6 | 60 | 17 | 2.416 | 39.59 |
| H29B20UABH | 265/1/60 | 20800 | 6103 | 1950 | 10.6 | 3.1 | 28800 | 1680 | 17.2 | 7.2 | 58 | 15 | 2.416 | 39.59 |
| H29B20UABH | 220-240/1/50 | 17900 | 5244 | 1680 | 10.7 | 3.1 | 23800 | 1350 | 17.7 | 7.6 | 55 | 14.5 | 2.416 | 39.59 |
| H29B22UABC | 208-230/1/60 | 22600 | 6621 | 2120 | 10.7 | 3.1 | 30700 | 1740 | 17.6 | 9.6 | 60 | 18 | 2.586 | 42.37 |
| H29B22UABH | 265/1/60 | 22700 | 6651 | 2090 | 10.8 | 3.2 | 31100 | 1750 | 17.8 | 8.0 | 58 | 15 | 2.586 | 42.37 |
| H29B22UABH | 220-240/1/50 | 19600 | 5742 | 1820 | 10.8 | 3.2 | 26000 | 1460 | 17.8 | 8.4 | 55 | 15 | 2.586 | 42.37 |
| H29B22UDBL | 200-230/3/60 | 22000 | 6690 | 2050 | 10.8 | 3.2 | 30900 | 1750 | 17.7 | 6.5 | 58 | 12 | 2.586 | 42.37 |
| H29B22UDBL | 200-220/3/50 | 19500 | 5721 | 1870 | 10.5 | 3.1 | 26000 | 1490 | 17.4 | 6.9 | 60 | 12 | 2.586 | 42.37 |
| H29B22UDBV | 380-460/3/60 | 22000 | 6446 | 2050 | 10.8 | 3.2 | 30900 | 1750 | 17.7 | 3.2 | 30 | 5.7 | 2.586 | 42.37 |
| H29B22UDBV | 380-415/3/50 | 19500 | 5713 | 1870 | 10.5 | 3.1 | 26000 | 1490 | 17.4 | 3.3 | 30 | 6.3 | 2.586 | 42.37 |
| H29B24UABC | 208-230/1/60 | 24200 | 7115 | 2210 | 10.9 | 3.2 | 31300 | 1790 | 18.0 | 9.6 | 61 | 19 | 2.699 | 44.22 |
| H29B24UABH | 220-240/1/50 | 20200 | 5919 | 1860 | 10.8 | 3.2 | 26900 | 1450 | 18.5 | 9.4 | 56 | 13.6 | 2.699 | 44.22 |
| H29B24UABH | 265/1/60 | 23600 | 6915 | 2130 | 11.1 | 3.3 | 32000 | 1790 | 17.9 | 8.3 | 58 | 14.1 | 2.699 | 44.22 |
| H29B24UDBL | 200-230/3/60 | 23500 | 6885 | 2180 | 10.8 | 3.2 | 31800 | 1780 | 17.9 | 6.5 | 58 | 13 | 2.699 | 44.22 |
| H29B24UDBL | 200-220/3/50 | 20400 | 5977 | 1960 | 10.4 | 3.0 | 27200 | 1580 | 17.3 | 7.1 | 60 | 13.1 | 2.699 | 44.22 |
| H29B24UDBV | 380-460/3/60 | 23600 | 6914 | 2190 | 10.8 | 3.2 | 31400 | 1760 | 17.8 | 3.4 | 30 | 6.7 | 2.699 | 44.22 |
| H29B24UDBV | 380-415/3/50 | 20300 | 5947 | 1940 | 10.5 | 3.1 | 27100 | 1550 | 17.5 | 3.4 | 30 | 6.7 | 2.699 | 44.22 |
| H29B26UABC | 208-230/1/60 | 26700 | 7823 | 2450 | 10.9 | 3.2 | 34500 | 1940 | 17.8 | 10.9 | 68 | 20 | 2.905 | 47.60 |
| H29B26UABH | 220-240/1/50 | 21900 | 6417 | 2020 | 10.8 | 3.2 | 28900 | 1600 | 18.1 | 9.6 | 58 | 18 | 2.905 | 47.60 |
| H29B26UABH | 265/1/60 | 26200 | 7677 | 2340 | 11.2 | 3.3 | 35000 | 1930 | 18.1 | 9.4 | 58 | 15 | 2.905 | 47.60 |
| H29B26UDBL | 200-230/3/60 | 26100 | 7688 | 2410 | 10.8 | 3.2 | 35300 | 2000 | 17.6 | 7.8 | 68 | 13.5 | 2.905 | 47.60 |
| H29B26UDBL | 200-220/3/50 | 22300 | 6533 | 2150 | 10.4 | 3.0 | 29500 | 1700 | 17.3 | 8.5 | 72 | 13.5 | 2.905 | 47.60 |
| H29B26UDBV | 380-460/3/60 | 26100 | 7647 | 2410 | 10.8 | 3.2 | 35300 | 2000 | 17.6 | 3.9 | 36 | 7.4 | 2.905 | 47.60 |
| H29B26UDBV | 380-415/3/50 | 22300 | 6533 | 2150 | 10.4 | 3.0 | 29400 | 1700 | 17.3 | 4.1 | 38 | 7.4 | 2.905 | 47.60 |
| H29B28UABC | 208-230/1/60 | 28800 | 8438 | 2640 | 10.9 | 3.2 | 36600 | 2070 | 17.7 | 11.8 | 73 | 22 | 3.056 | 50.07 |
| H29B28UABH | 265/1/60 | 28500 | 8350 | 2590 | 11.0 | 3.2 | 37300 | 2120 | 17.6 | 10.4 | 72 | 18.5 | 3.056 | 50.07 |
| H29B28UABH | 220-240/1/50 | 23500 | 6895 | 2180 | 10.8 | 3.2 | 31700 | 1780 | 17.8 | 10.5 | 69 | 17.2 | 3.056 | 50.07 |
| H29B28UDBL | 200-230/3/60 | 28000 | 8216 | 2580 | 10.9 | 3.2 | 35800 | 1860 | 19.2 | 7.8 | 68 | 13 | 3.056 | 50.07 |
| H29B28UDBL | 200-220/3/50 | 24400 | 7159 | 2310 | 10.5 | 3.1 | 31600 | 1820 | 17.4 | 8.7 | 72 | 13.7 | 3.056 | 50.07 |
| H29B28UDBV | 380-460/3/60 | 27800 | 8157 | 2610 | 10.6 | 3.1 | 36100 | 2080 | 17.4 | 4.1 | 36 | 7.4 | 3.056 | 50.07 |
| H29B28UDBV | 380-415/3/50 | 23900 | 7002 | 2310 | 10.3 | 3.0 | 31600 | 1760 | 17.9 | 4.2 | 38 | 7.4 | 3.056 | 50.07 |
| H29B30UABC | 208-230/1/60 | 29900 | 8760 | 2720 | 11.0 | 3.2 | 38300 | 2160 | 17.7 | 12.4 | 82 | 23 | 3.197 | 52.38 |
| H29B30UABH | 265/1/60 | 30200 | 8803 | 2780 | 10.9 | 3.2 | 39000 | 2240 | 17.4 | 11.5 | 80 | 21.5 | 3.197 | 52.38 |
| H29B30UABH | 220-240/1/50 | 25000 | 7365 | 2330 | 10.7 | 3.1 | 32600 | 1880 | 17.4 | 11.3 | 76 | 19.7 | 3.197 | 52.38 |

Data Subject to Revision

| Model | Oil Charge | L | Weight | | | | ELECTRICAL START COMPONENTS | | | DIMENSIONS | | | | | |
|-------|------------|---|--------|------|-----|----|-----------------------------|-----------------|------|------------|-----------|-------|----|----|----|
| | | | Net | Ship | Lbs | Kg | Run Capacitor | Start Capacitor | G.E. | A | | B | | C | |
| | | | | | | | | | | MFD/VOLTS | MFD/VOLTS | Relay | IN | MM | IN |

| | | | | | | | | | | | | | | | |
|------------|----|-----|------|------|------|------|--------|-------------|------------|-------|--------|-------|--------|-------|--------|
| H29B13UABC | 35 | 1.0 | 59.0 | 26.8 | 63.0 | 28.6 | 30/370 | 161-193/250 | 3ARR3*3V* | 11.24 | 285.50 | 13.25 | 336.55 | 13.53 | 343.66 |
| H29B14UABC | 35 | 1.0 | 59.0 | 26.8 | 63.0 | 28.6 | 30/370 | 161-193/25 | 3ARR3*3V | 11.24 | 285.50 | 13.25 | 336.55 | 13.53 | 343.66 |
| H29B15UABC | 35 | 1.0 | 59.5 | 27.1 | 63.0 | 28.7 | 30/370 | 161-193/250 | 3ARR3*3V* | 11.20 | 285.00 | 13.20 | 336.30 | 13.50 | 343.40 |
| H29B16UABC | 35 | 1.0 | 59.5 | 27.1 | 63.0 | 28.7 | 30/370 | 161-193/250 | 3ARR3*3V* | 11.20 | 285.00 | 13.20 | 336.30 | 13.50 | 343.40 |
| H29B17UABC | 35 | 1.0 | 59.5 | 27.1 | 63.0 | 28.7 | 30/370 | 161-193/250 | 3ARR3*3V* | 11.20 | 285.00 | 13.20 | 336.30 | 13.50 | 343.40 |
| H29B17UABH | 35 | 1.0 | 61.5 | 28.0 | 64.0 | 29.1 | 25/440 | 88-108/330 | 3ARR3*10U* | 11.20 | 285.00 | 13.20 | 336.30 | 13.50 | 343.40 |
| H29B17UABH | 35 | 1.0 | 61.5 | 28.0 | 64.0 | 29.1 | 30/370 | 88-108/330 | 3ARR3*10S* | 11.20 | 285.00 | 13.20 | 336.30 | 13.50 | 343.40 |
| H29B18UABC | 35 | 1.0 | 59.5 | 27.1 | 63.0 | 28.7 | 30/370 | 161-193/250 | 3ARR3*3V* | 11.20 | 285.00 | 13.20 | 336.30 | 13.50 | 343.40 |
| H29B18UABH | 35 | 1.0 | 61.5 | 28.0 | 64.0 | 29.1 | 25/440 | 88-108/330 | 3ARR3*10U | 11.20 | 285.00 | 13.20 | 336.30 | 13.50 | 343.40 |
| H29B18UABH | 35 | 1.0 | 61.5 | 28.0 | 64.0 | 29.1 | 30/370 | 88-108/330 | 3ARR3*10S* | 11.20 | 285.00 | 13.20 | 336.30 | 13.50 | 343.40 |
| H29B20UABC | 35 | 1.0 | 61.0 | 27.8 | 64.5 | 29.3 | 30/370 | 145-175/250 | 3ARR3*3U* | 11.20 | 285.00 | 13.20 | 336.30 | 13.50 | 343.40 |
| H29B20UABH | 35 | 1.0 | 65.0 | 29.5 | 68.5 | 31.1 | 30/440 | 88-108/330 | 3ARR3*10S* | 11.70 | 297.70 | 13.80 | 349.00 | 14.00 | 356.10 |
| H29B20UABH | 35 | 1.0 | 65.0 | 29.5 | 68.5 | 31.1 | 30/370 | 88-108/330 | 3ARR3*10U* | 11.70 | 297.70 | 13.80 | 349.00 | 14.00 | 356.10 |
| H29B22UABC | 35 | 1.0 | 61.0 | 27.8 | 64.5 | 29.3 | 30/370 | 145-175/250 | 3ARR3*3U* | 11.20 | 285.00 | 13.20 | 336.30 | 13.50 | 343.40 |
| H29B22UABH | 35 | 1.0 | 65.0 | 29.5 | 68.5 | 31.1 | 30/440 | 88-108/330 | 3ARR3*10S* | 11.70 | 297.70 | 13.80 | 349.00 | 14.00 | 356.10 |
| H29B22UABH | 35 | 1.0 | 65.0 | 29.5 | 68.5 | 31.1 | 35/370 | 88-108/330 | 3ARR3*10U* | 11.70 | 297.70 | 13.80 | 349.00 | 14.00 | 356.10 |
| H29B22UDBL | 35 | 1.0 | 59.5 | 27.1 | 63.0 | 28.7 | N/A | N/A | N/A | 11.20 | 285.00 | 13.20 | 336.30 | 13.50 | 343.40 |
| H29B22UDBL | 35 | 1.0 | 59.5 | 27.1 | 63.0 | 28.7 | N/A | N/A | N/A | 11.20 | 285.00 | 13.20 | 336.30 | 13.50 | 343.40 |
| H29B22UDBV | 35 | 1.0 | 60.5 | 27.5 | 64.0 | 29.1 | N/A | N/A | N/A | 11.20 | 285.00 | 13.20 | 336.30 | 13.50 | 343.40 |
| H29B22UDBV | 35 | 1.0 | 59.5 | 27.1 | 63.0 | 28.7 | N/A | N/A | N/A | 11.20 | 285.00 | 13.20 | 336.30 | 13.50 | 343.40 |
| H29B24UABC | 35 | 1.0 | 63.5 | 28.9 | 67.0 | 30.5 | 35/370 | 145-175/250 | 3ARR3*3T* | 11.70 | 297.70 | 13.80 | 349.00 | 14.00 | 356.10 |
| H29B24UABH | 35 | 1.0 | 66.0 | 29.9 | 69.5 | 31.5 | 40/370 | 145-175/250 | 3ARR3*10S* | 11.73 | 297.94 | 13.75 | 349.25 | 14.03 | 356.36 |
| H29B24UABH | 35 | 1.0 | 66.0 | 29.9 | 69.5 | 31.5 | 30/440 | 88-108/330 | 3ARR3*10S* | 11.73 | 297.94 | 13.75 | 349.25 | 14.03 | 356.36 |
| H29B24UDBL | 35 | 1.0 | 61.0 | 27.7 | 64.5 | 29.3 | N/A | N/A | N/A | 11.70 | 297.70 | 13.80 | 349.00 | 14.00 | 356.10 |
| H29B24UDBL | 35 | 1.0 | 61.0 | 27.7 | 64.5 | 29.3 | N/A | N/A | N/A | 11.70 | 297.70 | 13.80 | 349.00 | 14.00 | 356.10 |
| H29B24UDBV | 35 | 1.0 | 61.0 | 27.7 | 64.5 | 29.3 | N/A | N/A | N/A | 11.70 | 297.70 | 13.80 | 349.00 | 14.00 | 356.10 |
| H29B24UDBV | 35 | 1.0 | 61.0 | 27.7 | 64.5 | 29.3 | N/A | N/A | N/A | 11.70 | 297.70 | 13.80 | 349.00 | 14.00 | 356.10 |
| H29B26UABC | 35 | 1.0 | 63.5 | 28.9 | 67.0 | 30.5 | 35/370 | 145-175/250 | 3ARR3*3T* | 11.70 | 297.70 | 13.80 | 349.00 | 14.00 | 356.10 |
| H29B26UABH | 35 | 1.0 | 66.0 | 29.9 | 69.5 | 31.5 | 40/370 | 145-175/250 | 3ARR3*10S* | 11.73 | 297.94 | 13.75 | 349.25 | 14.03 | 356.36 |
| H29B26UABH | 35 | 1.0 | 66.0 | 29.9 | 69.5 | 31.5 | 30/440 | 88-108/ | | | | | | | |

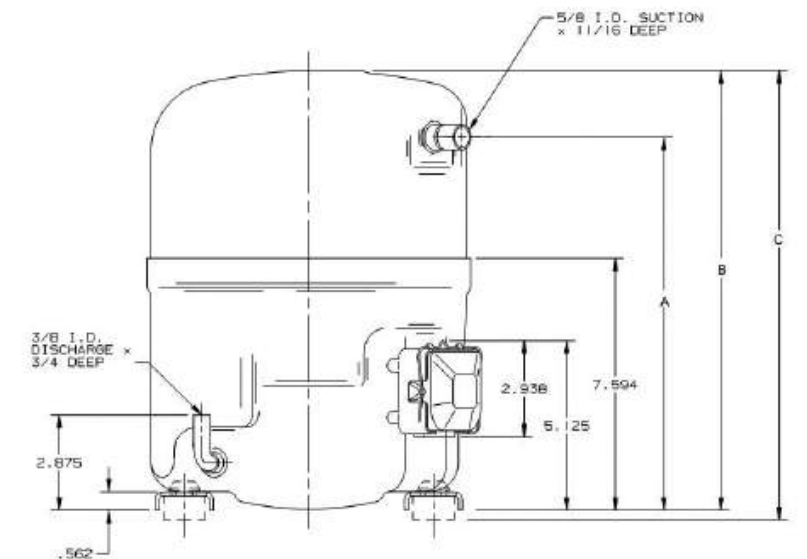
H29B SERIES

| Model | Volts Phase Hz | @45/130 | | | | | @45/100 | | | | | Electrical Data | | | Displacement | |
|--------------------------|----------------|----------|-------|-------------------|---------|-----|----------|-------------------|------|------|-----|-----------------|---------|---------|--------------|--------|
| | | Capacity | | Motor Input WATTS | EER/COP | | Capacity | Motor Input WATTS | EER | RLA | LRA | MCC | IN3/REV | CM3/REV | | |
| | | BTU/H | WATTS | | BTU/WH | W/W | | | | | | | | | BTU/H | BTU/WH |
| H29B SERIES (R22) | | | | | | | | | | | | | | | | |
| H29B30UDBL | 200-230/3/60 | 30000 | 8790 | 2750 | 10.9 | 3.2 | 38900 | 2190 | 17.8 | 8.5 | 78 | 15.5 | 3.197 | 52.38 | | |
| H29B30UDBL | 200-220/3/50 | 26200 | 7676 | 2460 | 10.7 | 3.1 | 33200 | 1930 | 17.2 | 9.5 | 82 | 14.3 | 3.197 | 52.38 | | |
| H29B30UDBV | 380-460/3/60 | 29800 | 8731 | 2770 | 10.8 | 3.2 | 38600 | 2200 | 17.6 | 4.1 | 40 | 8 | 3.197 | 52.38 | | |
| H29B30UDBV | 380-415/3/50 | 25600 | 7512 | 2370 | 10.8 | 3.2 | 33400 | 1870 | 17.9 | 4.4 | 42 | 8 | 3.197 | 52.38 | | |
| H29B32UABC | 208-230/1/60 | 31900 | 9346 | 2930 | 10.9 | 3.2 | 41200 | 2320 | 17.8 | 13 | 82 | 23.5 | 3.361 | 55.07 | | |
| H29B32UABH | 220-240/1/50 | 26400 | 7735 | 2460 | 10.7 | 3.1 | 35000 | 1990 | 17.6 | 11.9 | 76 | 19.2 | 3.361 | 55.07 | | |
| H29B32UABH | 265/1/60 | 32000 | 9376 | 2990 | 10.7 | 3.1 | 40800 | 2380 | 17.2 | 11.8 | 80 | 20.5 | 3.361 | 55.07 | | |
| H29B32UDBL | 200-230/3/60 | 32400 | 9493 | 2940 | 11.0 | 3.2 | 41300 | 2350 | 17.6 | 9 | 78 | 16 | 3.361 | 55.07 | | |
| H29B32UDBL | 200-220/3/50 | 27800 | 8157 | 2620 | 10.6 | 3.1 | 35900 | 2050 | 17.5 | 9.5 | 82 | 16 | 3.361 | 55.07 | | |
| H29B32UDBV | 380-460/3/60 | 31600 | 9258 | 2930 | 10.8 | 3.2 | 40700 | 2360 | 17.2 | 4.5 | 40 | 8.1 | 3.361 | 55.07 | | |
| H29B32UDBV | 380-415/3/50 | 26100 | 7647 | 2460 | 10.6 | 3.1 | 34900 | 2000 | 17.4 | 4.7 | 42 | 8 | 3.361 | 55.07 | | |
| H29B33UABC | 208-230/1/60 | 33600 | 9844 | 3080 | 10.9 | 3.2 | 43200 | 2440 | 17.7 | 13.5 | 82 | 25 | 3.498 | 57.32 | | |
| H29B33UABH | 220-240/1/50 | 28000 | 8204 | 2620 | 10.7 | 3.1 | 36700 | 2070 | 17.7 | 12.6 | 76 | 20.4 | 3.498 | 57.32 | | |
| H29B33UABH | 265/1/60 | 34100 | 9991 | 3150 | 10.8 | 3.2 | 43100 | 2520 | 17.1 | 12.5 | 80 | 20.5 | 3.498 | 57.32 | | |
| H29B33UDBF | 500/3/50 | 27800 | 8145 | 2630 | 10.6 | 3.1 | 36100 | 2070 | 17.4 | 3.7 | 30 | 6 | 3.498 | 57.32 | | |
| H29B33UDBF | 575/3/60 | 33000 | 9669 | 3090 | 10.7 | 3.1 | 43000 | 2490 | 17.3 | 3.7 | 32 | 6.4 | 3.498 | 57.32 | | |
| H29B33UDBL | 200-230/3/60 | 33100 | 9698 | 3040 | 10.9 | 3.2 | 42800 | 2420 | 17.7 | 9.5 | 78 | 16.5 | 3.498 | 57.32 | | |
| H29B33UDBL | 200-220/3/50 | 27800 | 8145 | 2710 | 10.6 | 3.1 | 36900 | 2130 | 17.3 | 9.8 | 82 | 16.8 | 3.498 | 57.32 | | |
| H29B33UDBV | 380-460/3/60 | 33000 | 9669 | 3090 | 10.7 | 3.1 | 43000 | 2490 | 17.3 | 4.6 | 40 | 8.1 | 3.498 | 57.32 | | |
| H29B33UDBV | 380-415/3/50 | 27800 | 8145 | 2640 | 10.6 | 3.1 | 36100 | 2070 | 17.4 | 4.8 | 42 | 8.1 | 3.498 | 57.32 | | |
| H29B35UABC | 208-230/1/60 | 35700 | 10460 | 3270 | 10.9 | 3.2 | 45300 | 2580 | 17.5 | 14.4 | 86 | 26 | 3.695 | 60.55 | | |
| H29B35UABH | 265/1/60 | 35500 | 10417 | 3340 | 10.6 | 3.1 | 44900 | 2760 | 16.3 | 13 | 90 | 24 | 3.695 | 60.55 | | |
| H29B35UABH | 220-240/1/50 | 30000 | 8802 | 2820 | 10.6 | 3.1 | 38900 | 2300 | 16.9 | 13.4 | 85 | 23 | 3.695 | 60.55 | | |
| H29B35UDBF | 575/3/60 | 34100 | 9991 | 3230 | 10.5 | 3.1 | 42800 | 2570 | 16.7 | 3.9 | 32 | 6.3 | 3.695 | 60.55 | | |
| H29B35UDBF | 500/3/50 | 29900 | 8773 | 2900 | 10.3 | 3.0 | 37200 | 2250 | 16.6 | 3.9 | 30 | 6.3 | 3.695 | 60.55 | | |
| H29B35UDBL | 200-230/3/60 | 35000 | 10255 | 3290 | 10.7 | 3.1 | 42700 | 2580 | 16.5 | 9.6 | 78 | 16 | 3.695 | 60.55 | | |
| H29B35UDBL | 200-220/3/50 | 30400 | 8907 | 2900 | 10.5 | 3.1 | 37500 | 2260 | 16.6 | 10.3 | 82 | 16.8 | 3.695 | 60.55 | | |
| H29B35UDBV | 380-460/3/60 | 34400 | 10079 | 3270 | 10.5 | 3.1 | 44300 | 2610 | 16.9 | 4.9 | 40 | 8.6 | 3.695 | 60.55 | | |
| H29B35UDBV | 380-415/3/50 | 29600 | 8672 | 2840 | 10.4 | 3.0 | 38100 | 2170 | 17.5 | 5 | 42 | 8.6 | 3.695 | 60.55 | | |

Data Subject to Revision

| Model | Oil Charge | | Weight | | | | ELECTRICAL START COMPONENTS | | | DIMENSIONS | | | | | |
|------------|------------|-----|--------|------|------|------|-----------------------------|---------------------------|-------------|------------|--------|-------|--------|-------|--------|
| | OZ | L | Net | | Ship | | Run Capacitor MFD/VOLTS | Start Capacitor MFD/VOLTS | G.E. Relay | A | | B | | C | |
| | | | Lbs | Kg | Lbs | Kg | | | | IN | MM | IN | MM | IN | MM |
| H29B30UDBL | 35 | 1.0 | 67.5 | 30.7 | 71.0 | 32.3 | N/A | N/A | N/A | 12.20 | 310.40 | 14.20 | 361.70 | 14.50 | 368.80 |
| H29B30UDBL | 35 | 1.0 | 67.5 | 30.7 | 71.0 | 32.3 | N/A | N/A | N/A | 12.20 | 310.40 | 14.20 | 361.70 | 14.50 | 368.80 |
| H29B30UDBV | 35 | 1.0 | 67.5 | 30.7 | 71.0 | 32.3 | N/A | N/A | N/A | 12.20 | 310.40 | 14.20 | 361.70 | 14.50 | 368.80 |
| H29B30UDBV | 35 | 1.0 | 67.5 | 30.7 | 71.0 | 32.3 | N/A | N/A | N/A | 12.20 | 310.40 | 14.20 | 361.70 | 14.50 | 368.80 |
| H29B32UABC | 35 | 1.0 | 68.5 | 31.2 | 72.0 | 32.8 | 40/370 | 145-175/250 | 3ARR3*3P* | 12.20 | 310.40 | 14.20 | 361.70 | 14.50 | 368.80 |
| H29B32UABH | 35 | 1.0 | 66.0 | 29.9 | 69.5 | 31.5 | 40/370 | 145-175/250 | 3ARR3 *10S* | 12.23 | 310.64 | 14.25 | 361.95 | 14.53 | 369.06 |
| H29B32UABH | 35 | 1.0 | 66.0 | 29.9 | 69.5 | 31.5 | 30/440 | 88-108/330 | 3ARR3 *10S* | 12.23 | 310.64 | 14.25 | 361.95 | 14.53 | 369.06 |
| H29B32UDBL | 35 | 1.0 | 67.5 | 30.7 | 71.0 | 32.3 | N/A | N/A | N/A | 12.20 | 310.40 | 14.20 | 361.70 | 14.50 | 368.80 |
| H29B32UDBL | 35 | 1.0 | 67.5 | 30.7 | 71.0 | 32.3 | N/A | N/A | N/A | 12.20 | 310.40 | 14.20 | 361.70 | 14.50 | 368.80 |
| H29B32UDBV | 35 | 1.0 | 67.5 | 30.7 | 71.0 | 32.3 | N/A | N/A | N/A | 12.20 | 310.40 | 14.20 | 361.70 | 14.50 | 368.80 |
| H29B32UDBV | 35 | 1.0 | 67.5 | 30.7 | 71.0 | 32.3 | N/A | N/A | N/A | 12.20 | 310.40 | 14.20 | 361.70 | 14.50 | 368.80 |
| H29B33UABC | 35 | 1.0 | 68.5 | 31.2 | 72.0 | 32.8 | 45/370 | 243-292/250 | 3ARR3*3V* | 12.20 | 310.40 | 14.20 | 361.70 | 14.50 | 368.80 |
| H29B33UABH | 35 | 1.0 | 66.0 | 29.9 | 69.5 | 31.5 | 40/370 | 88-108/250 | 3ARR3*10S* | 12.23 | 310.64 | 14.25 | 361.95 | 14.53 | 369.06 |
| H29B33UABH | 35 | 1.0 | 66.0 | 29.9 | 69.5 | 31.5 | 30/440 | 145-175/250 | 3ARR3*10S* | 12.23 | 310.64 | 14.25 | 361.95 | 14.53 | 369.06 |
| H29B33UDBF | 35 | 1.0 | 66.0 | 29.9 | 69.5 | 31.5 | N/A | N/A | N/A | 12.23 | 310.64 | 14.25 | 361.95 | 14.53 | 369.06 |
| H29B33UDBF | 35 | 1.0 | 67.0 | 30.5 | 70.5 | 32.1 | N/A | N/A | N/A | 12.20 | 310.30 | 14.30 | 361.50 | 14.50 | 368.60 |
| H29B33UDBL | 35 | 1.0 | 67.0 | 30.5 | 70.5 | 32.1 | N/A | N/A | N/A | 12.20 | 310.40 | 14.20 | 361.70 | 14.50 | 368.80 |
| H29B33UDBL | 35 | 1.0 | 67.0 | 30.5 | 70.5 | 32.1 | N/A | N/A | N/A | 12.20 | 310.40 | 14.20 | 361.70 | 14.50 | 368.80 |
| H29B33UDBV | 35 | 1.0 | 67.5 | 30.7 | 71.0 | 32.3 | N/A | N/A | N/A | 12.20 | 310.40 | 14.20 | 361.70 | 14.50 | 368.80 |
| H29B33UDBV | 35 | 1.0 | 67.5 | 30.7 | 71.0 | 32.3 | N/A | N/A | N/A | 12.20 | 310.40 | 14.20 | 361.70 | 14.50 | 368.80 |
| H29B35UABC | 40 | 1.1 | 70.0 | 31.8 | 73.5 | 33.4 | 45/370 | 145-175/250 | 3ARR3*3N* | 12.20 | 310.40 | 14.20 | 361.70 | 14.50 | 368.80 |
| H29B35UABH | 35 | 1.0 | 70.0 | 31.8 | 73.5 | 33.4 | 35/440 | 88-108/330 | 3ARR3*10S* | 12.20 | 310.30 | 14.30 | 361.50 | 14.50 | 368.60 |
| H29B35UABH | 35 | 1.0 | 70.0 | 31.8 | 73.5 | 33.4 | 45/370 | 88-108/250 | 3ARR3*10S* | 12.20 | 310.30 | 14.30 | 361.50 | 14.50 | 368.60 |
| H29B35UDBF | 40 | 1.1 | 71.6 | 32.5 | 71.0 | 32.3 | N/A | N/A | N/A | 12.20 | 310.40 | 14.20 | 361.70 | 14.50 | 368.80 |
| H29B35UDBF | 40 | 1.1 | 71.6 | 32.5 | 71.0 | 32.3 | N/A | N/A | N/A | 12.20 | 310.40 | 14.20 | 361.70 | 14.50 | 368.80 |
| H29B35UDBL | 40 | 1.1 | 71.6 | 32.5 | 71.0 | 32.3 | N/A | N/A | N/A | 12.20 | 310.40 | 14.20 | 361.70 | 14.50 | 368.80 |
| H29B35UDBL | 40 | 1.1 | 71.6 | 32.5 | 71.0 | 32.3 | N/A | N/A | N/A | 12.20 | 310.40 | 14.20 | 361.70 | 14.50 | 368.80 |
| H29B35UDBV | 40 | 1.1 | 71.6 | 32.5 | 71.0 | 32.3 | N/A | N/A | N/A | 12.20 | 310.40 | 14.20 | 361.70 | 14.50 | 368.80 |
| H29B35UDBV | 40 | 1.1 | 71.6 | 32.5 | 71.0 | 32.3 | N/A | N/A | N/A | 12.20 | 310.40 | 14.20 | 361.70 | 14.50 | 368.80 |

H29B



H79B SERIES

| Model | Volts Phase Hz | @45/130 | | | | | @45/100 | | | | | Electrical Data | | | Displacement | |
|----------------------------|----------------|----------|-------|-------------------|---------|-----|----------|-------------------|------|------|-----|-----------------|---------|---------|--------------|--|
| | | Capacity | | Motor Input WATTS | EER/COP | | Capacity | Motor Input WATTS | EER | RLA | LRA | MCC | IN3/REV | CM3/REV | | |
| | | BTU/H | WATTS | | BTU/WH | W/W | | | | | | | | | BTU/H | |
| H79B SERIES (R407C) | | | | | | | | | | | | | | | | |
| H79B15UABC | 208-230/1/60 | 13800 | 4043 | 1390 | 10.0 | 2.9 | 20200 | 1190 | 16.9 | 6.7 | 48 | 12 | 1.880 | 30.80 | | |
| H79B17UABC | 208-230/1/60 | 15400 | 4512 | 1460 | 10.6 | 3.1 | 23600 | 1340 | 17.7 | 7.2 | 48 | 13.2 | 2.040 | 33.42 | | |
| H79B17UABH | 220-240/1/50 | 13100 | 3838 | 1280 | 10.2 | 3.0 | 19000 | 1100 | 17.3 | 6.4 | 42 | 11 | 2.040 | 33.42 | | |
| H79B18UABC | 208-230/1/60 | 16500 | 4835 | 1620 | 10.2 | 3.0 | 23700 | 1340 | 17.6 | 7.3 | 48 | 14 | 2.139 | 35.05 | | |
| H79B18UABH | 220-240/1/50 | 14100 | 4131 | 1360 | 10.4 | 3.0 | 20200 | 1120 | 18.1 | 6.7 | 42 | 12 | 2.139 | 35.05 | | |
| H79B20UABH | 220-240/1/50 | 16300 | 4776 | 1570 | 10.4 | 3.0 | 23200 | 1300 | 17.8 | 7.6 | 55 | 14.5 | 2.416 | 39.58 | | |
| H79B22UABC | 208-230/1/60 | 20400 | 5977 | 1990 | 10.2 | 3.0 | 29600 | 1730 | 17.1 | 9.6 | 60 | 18 | 2.586 | 42.37 | | |
| H79B22UABH | 220-240/1/50 | 17900 | 5245 | 1700 | 10.5 | 3.1 | 24700 | 1380 | 17.9 | 8.4 | 55 | 15 | 2.586 | 42.37 | | |
| H79B22UDBL | 200-220/3/50 | 17800 | 5215 | 1740 | 10.2 | 3.0 | 25300 | 1440 | 17.7 | 6.5 | 60 | 11 | 2.586 | 42.37 | | |
| H79B22UDBL | 200-230/3/60 | 19800 | 5801 | 1950 | 10.2 | 3.0 | 27700 | 1610 | 17.2 | 6.5 | 58 | 12 | 2.586 | 42.37 | | |
| H79B22UDBV | 380-415/3/50 | 17800 | 5215 | 1760 | 10.1 | 3.0 | 25100 | 1440 | 17.4 | 3.3 | 30 | 6.3 | 2.586 | 42.37 | | |
| H79B24UABH | 220-240/1/50 | 18500 | 5421 | 1760 | 10.5 | 3.1 | 26300 | 1450 | 18.2 | 9.4 | 56 | 13.6 | 2.699 | 44.22 | | |
| H79B24UDBL | 200-220/3/50 | 18200 | 5333 | 1770 | 10.3 | 3.0 | 26200 | 1480 | 17.7 | 7.1 | 60 | 13.1 | 2.699 | 44.22 | | |
| H79B24UDBV | 380-415/3/50 | 18200 | 5333 | 1770 | 10.3 | 3.0 | 26200 | 1480 | 17.7 | 3.4 | 30 | 6.7 | 2.699 | 44.22 | | |
| H79B26UABC | 208-230/1/60 | 23800 | 6973 | 2250 | 10.6 | 3.1 | 34600 | 1960 | 17.7 | 11.4 | 68 | 21.2 | 2.905 | 47.60 | | |
| H79B26UABH | 220-240/1/50 | 20500 | 6007 | 1930 | 10.6 | 3.1 | 28900 | 1580 | 18.3 | 9.6 | 58 | 18 | 2.905 | 47.60 | | |
| H79B26UDBV | 380-415/3/50 | 20300 | 5948 | 2010 | 10.1 | 3.0 | 28700 | 1640 | 17.4 | 4.1 | 38 | 7.4 | 2.905 | 47.60 | | |
| H79B28UABC | 208-230/1/60 | 25200 | 7384 | 2450 | 10.3 | 3.0 | 35800 | 2020 | 17.7 | 11.8 | 73 | 22 | 3.056 | 50.07 | | |
| H79B28UABH | 220-240/1/50 | 21700 | 6358 | 2100 | 10.4 | 3.0 | 29200 | 1710 | 17.1 | 10.5 | 69 | 17.2 | 3.056 | 50.07 | | |
| H79B28UABH | 265/1/60 | 25400 | 7442 | 2400 | 10.5 | 3.1 | 34900 | 2040 | 17.1 | 10.3 | 72 | 18.5 | 3.056 | 50.07 | | |
| H79B28UDBL | 200-220/3/50 | 21400 | 6270 | 2090 | 10.2 | 3.0 | 30200 | 1710 | 17.6 | 7.8 | 72 | 13 | 3.056 | 50.07 | | |
| H79B28UDBL | 200-230/3/60 | 24400 | 7149 | 2380 | 10.2 | 3.0 | 34400 | 1950 | 17.6 | 7.8 | 68 | 13.5 | 3.056 | 50.07 | | |
| H79B28UDBV | 380-415/3/50 | 21400 | 6270 | 2090 | 10.2 | 3.0 | 30200 | 1710 | 17.6 | 4.2 | 38 | 7.4 | 3.056 | 50.07 | | |
| H79B30UABH | 220-240/1/50 | 22900 | 6710 | 2170 | 10.5 | 3.1 | 32400 | 1860 | 17.4 | 11.3 | 76 | 19.7 | 3.197 | 52.38 | | |
| H79B30UDBV | 380/415-3-50 | 23300 | 6827 | 23300 | 10.5 | 3.1 | 32500 | 1800 | 18.1 | 4.4 | 42 | 8 | 3.197 | 52.38 | | |
| H79B30UDBV | 380-460/3/60 | 27100 | 7940 | 2580 | 10.5 | 3.1 | 38700 | 2160 | 18.0 | 4.1 | 40 | 8 | 3.197 | 52.38 | | |
| H79B32UABC | 208-230/1/60 | 29800 | 8731 | 2750 | 10.9 | 3.2 | 40200 | 2260 | 17.8 | 13 | 82 | 23.5 | 3.361 | 55.07 | | |
| H79B32UABH | 220-240/1/50 | 24000 | 7032 | 2290 | 10.5 | 3.1 | 34100 | 1910 | 17.9 | 11.9 | 76 | 19.2 | 3.361 | 55.07 | | |
| H79B32UDBL | 200-220/3/50 | 23800 | 6973 | 2300 | 10.3 | 3.0 | 34000 | 1930 | 17.6 | 9.5 | 82 | 16 | 3.361 | 55.07 | | |
| H79B32UDBV | 380-415/3/50 | 23800 | 6973 | 2300 | 10.3 | 3.0 | 34000 | 1930 | 17.6 | 4.7 | 42 | 8 | 3.361 | 55.07 | | |
| H79B32UDBV | 380-460/3/60 | 28800 | 8438 | 2740 | 10.5 | 3.1 | 41100 | 2290 | 18.0 | 4.5 | 40 | 8.1 | 3.361 | 55.07 | | |
| H79B35UABC | 208-230/1/60 | 33000 | 9669 | 3160 | 10.4 | 3.0 | 44500 | 2600 | 17.1 | 14.4 | 86 | 26 | 3.695 | 60.54 | | |
| H79B35UABH | 220-240/1/50 | 27500 | 8058 | 2680 | 10.3 | 3.0 | 37100 | 2080 | 16.8 | 13.4 | 85 | 23 | 3.695 | 60.54 | | |
| H79B35UDBL | 200-220/3/50 | 26900 | 7882 | 2660 | 10.1 | 3.0 | 37000 | 2080 | 17.6 | 10.3 | 82 | 16 | 3.695 | 60.54 | | |
| H79B35UDBL | 200-230/3/60 | 30700 | 8995 | 3030 | 10.1 | 3.0 | 42200 | 2390 | 17.6 | 9.6 | 78 | 16 | 3.695 | 60.54 | | |
| H79B35UDBV | 380-415/3/50 | 26900 | 7882 | 2660 | 10.1 | 3.0 | 37000 | 2100 | 17.6 | 5 | 42 | 8.6 | 3.695 | 60.54 | | |

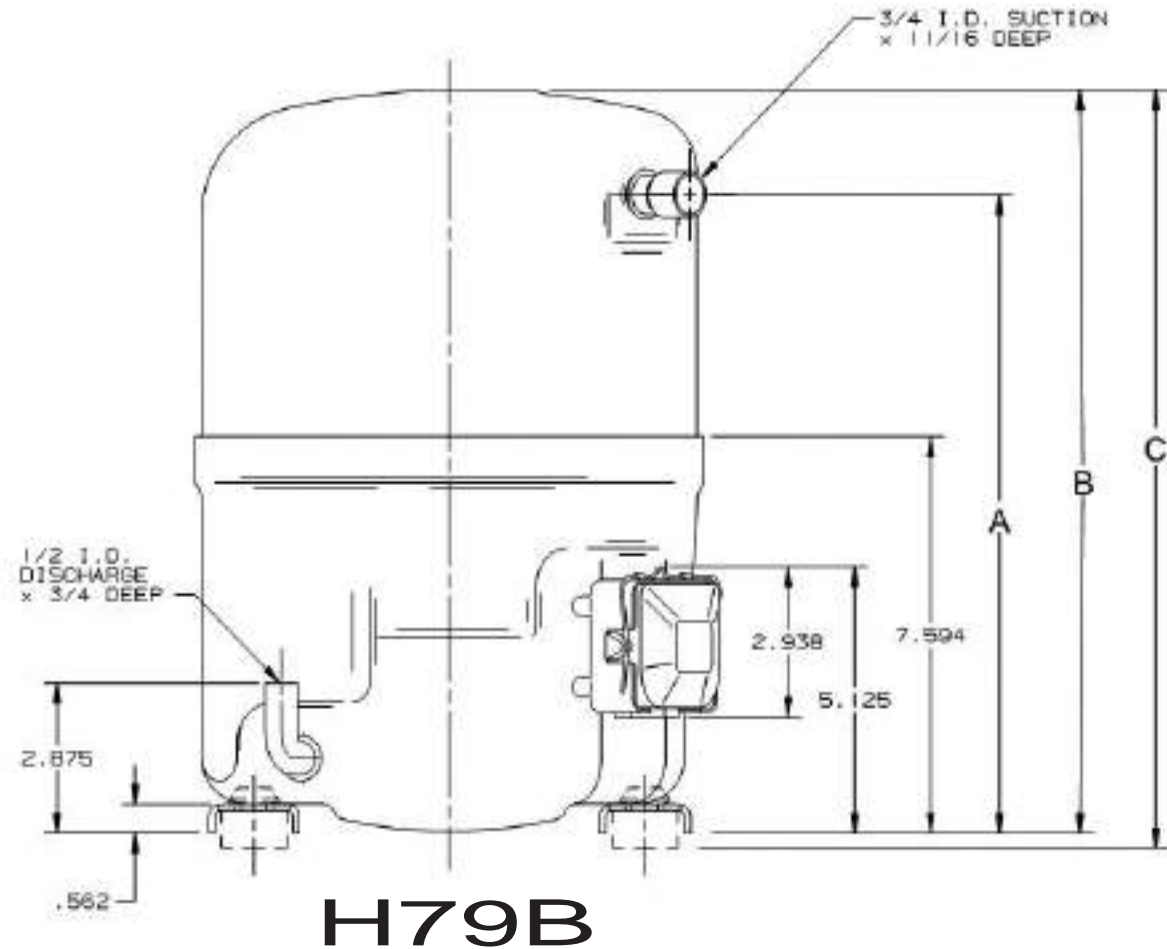
Data Subject to Revision

| Model | Oil Charge | | Weight Net Ship | | | | ELECTRICAL START COMPONENTS | | | DIMENSIONS | | | | | |
|------------|------------|-----|-----------------|------|------|------|-----------------------------|-----------------|-------------|------------|--------|-------|--------|-------|--------|
| | | | | | | | Run Capacitor | Start Capacitor | G.E. | A | | B | | C | |
| | OZ | L | Lbs | Kg | Lbs | Kg | MFD/VOLTS | MFD/VOLTS | Relay | IN | MM | IN | MM | IN | MM |
| H79B15UABC | 35 | 1.0 | 59.5 | 27.0 | 63.0 | 28.6 | 30/370 | 161-193/250 | 3ARR3*3V* | 12.76 | 324.10 | 13.25 | 336.55 | 13.53 | 343.66 |
| H79B17UABC | 35 | 1.0 | 59.5 | 27.0 | 63.0 | 28.6 | 30/370 | 161-193/250 | 3ARR3*3V* | 12.76 | 324.10 | 13.25 | 336.55 | 13.53 | 343.66 |
| H79B17UABH | 35 | 1.0 | 61.0 | 27.7 | 64.5 | 29.3 | 30/370 | 145-175/250 | 3ARR3 *10S* | 12.76 | 324.10 | 13.25 | 336.55 | 13.53 | 343.66 |
| H79B18UABC | 35 | 1.0 | 59.5 | 27.0 | 63.0 | 28.6 | 30/370 | 161-193/250 | 3ARR3*3V* | 11.23 | 285.24 | 13.25 | 336.55 | 13.53 | 343.66 |
| H79B18UABH | 35 | 1.0 | 61.0 | 27.7 | 64.5 | 29.3 | 30/370 | 145-175/250 | 3ARR3 *10S* | 12.76 | 324.10 | 13.25 | 336.55 | 13.53 | 343.66 |
| H79B20UABH | 35 | 1.0 | 63.5 | 28.8 | 67.0 | 30.4 | 35/370 | 145-175/250 | 3ARR3 *10S* | 13.26 | 336.80 | 13.75 | 349.25 | 14.03 | 356.36 |
| H79B22UABC | 35 | 1.0 | 61.0 | 27.7 | 64.5 | 29.3 | 30/370 | 145-175/250 | 3ARR3*3U* | 12.76 | 324.10 | 13.25 | 336.55 | 13.53 | 343.66 |
| H79B22UABH | 35 | 1.0 | 63.5 | 28.8 | 67.0 | 30.4 | 35/370 | 145-175/250 | 145-175/250 | 13.26 | 336.80 | 13.75 | 349.25 | 14.03 | 356.36 |
| H79B22UDBL | 35 | 1.0 | 59.5 | 27.0 | 63.0 | 28.6 | N/A | N/A | N/A | 12.76 | 324.10 | 13.25 | 336.55 | 13.53 | 343.66 |
| H79B22UDBL | 35 | 1.0 | 59.5 | 27.0 | 63.0 | 28.6 | N/A | N/A | N/A | 12.76 | 324.10 | 13.25 | 336.55 | 13.53 | 343.66 |
| H79B22UDBV | 35 | 1.0 | 59.5 | 27.0 | 63.0 | 28.6 | N/A | N/A | N/A | 12.76 | 324.10 | 13.25 | 336.55 | 13.53 | 343.66 |
| H79B24UABH | 35 | 1.0 | 66.0 | 29.9 | 69.5 | 31.5 | 40/370 | 145-175/250 | 3ARR3*10S* | 13.26 | 336.80 | 13.75 | 349.25 | 14.03 | 356.36 |
| H79B24UDBL | 35 | 1.0 | 59.5 | 27.0 | 63.0 | 28.6 | N/A | N/A | N/A | 13.48 | 342.39 | 13.75 | 349.25 | 14.03 | 356.36 |
| H79B24UDBV | 35 | 1.0 | 59.5 | 27.0 | 63.0 | 28.6 | N/A | N/A | N/A | 13.26 | 336.80 | 13.75 | 349.25 | 14.03 | 356.36 |
| H79B26UABC | 35 | 1.0 | 64.0 | 29.0 | 67.5 | 30.6 | 35/370 | 145-175/250 | 3ARR3*3T* | 11.70 | 297.18 | 13.70 | 347.98 | 14.00 | 355.60 |
| H79B26UABH | 35 | 1.0 | 66.0 | 29.9 | 69.5 | 31.5 | 40/370 | 145-175/250 | 3ARR3*10S* | 13.26 | 336.80 | 13.75 | 349.25 | 14.03 | 356.36 |
| H79B26UDBV | 35 | 1.0 | 62.0 | 28.1 | 65.5 | 29.7 | N/A | N/A | N/A | 13.26 | 336.80 | 13.75 | 349.25 | 14.03 | 356.36 |
| H79B28UABC | 35 | 1.0 | 64.0 | 29.0 | 67.5 | 30.6 | 35/370 | 145-175/250 | 3ARR3*3T* | 13.48 | 342.39 | 13.75 | 349.25 | 14.03 | 356.36 |
| H79B28UABH | 35 | 1.0 | 65.5 | 29.7 | 69.0 | 31.3 | 40/370 | 145-175/250 | 3ARR3*3L* | 13.26 | 336.80 | 13.75 | 349.25 | 14.03 | 356.36 |
| H79B28UABH | 35 | 1.0 | 65.5 | 29.7 | 69.0 | 31.3 | 30/440 | 88-108/330 | 3ARR3*3L* | 13.26 | 336.80 | 13.75 | 349.25 | 14.03 | 356.36 |
| H79B28UDBL | 35 | 1.0 | 62.5 | 28.3 | 66.0 | 29.9 | N/A | N/A | N/A | 13.48 | 342.39 | 13.75 | 349.25 | 14.03 | 356.36 |
| H79B28UDBL | 35 | 1.0 | 62.5 | 28.3 | 66.0 | 29.9 | N/A | N/A | N/A | 13.48 | 342.39 | 13.75 | 349.25 | 14.03 | 356.36 |
| H79B28UDBV | 35 | 1.0 | 62.5 | 28.3 | 66.0 | 29.9 | N/A | N/A | N/A | 13.26 | 336.80 | 13.75 | 349.25 | 14.03 | 356.36 |
| H79B30UABH | 35 | 1.0 | 66.0 | 29.9 | 69.5 | 31.5 | 40/370 | 145-175/250 | 3ARR3*10S | 13.76 | 349.50 | 14.25 | 361.95 | 14.53 | 369.06 |
| H79B30UDBV | 35 | 1.0 | 66.0 | 29.9 | 69.5 | 31.5 | N/A | N/A | N/A | 13.98 | 355.09 | 14.25 | 361.95 | 14.53 | 369.06 |
| H79B30UDBV | 35 | 1.0 | 66.0 | 29.9 | 69.5 | 31.5 | N/A | N/A | N/A | 13.98 | 355.09 | 14.25 | 361.95 | 14.53 | 369.06 |
| H79B32UABC | 35 | 1.0 | 68.5 | 31.1 | 72.0 | 32.7 | 40/370 | 145-175/250 | 3ARR3*3P* | 13.98 | 355.09 | 14.25 | 361.95 | 14.53 | 369.06 |
| H79B32UABH | 35 | 1.0 | 66.0 | 29.9 | 69.5 | 31.5 | 40/370 | 145-175/250 | 3ARR3*10S* | 13.76 | 349.50 | 14.25 | 361.95 | 14.53 | 369.06 |
| H79B32UDBL | 35 | 1.0 | 67.0 | 30.4 | 70.5 | 32.0 | N/A | N/A | N/A | 13.98 | 355.09 | 14.25 | 361.95 | 14.53 | 369.06 |
| H79B32UDBV | 35 | 1.0 | 67.0 | 30.4 | 70.5 | 32.0 | N/A | N/A | N/A | 13.98 | 355.09 | 14.25 | 361.95 | 14.53 | 369.06 |
| H79B32UDBV | 35 | 1.0 | 67.0 | 30.4 | 70.5 | 32.0 | N/A | N/A | N/A | 13.98 | 355.09 | 14.25 | 361.95 | 14.53 | 369.06 |
| H79B35UABC | 35 | 1.0 | 70.0 | 31.8 | 73.5 | 33.3 | 45/370 | 145-175/250 | 3ARR3*3N* | 13.98 | 355.09 | 14.25 | 361.95 | 14.53 | 369.06 |
| H79B35UABH | 35 | 1.0 | 70.0 | 31.8 | 73.5 | 33.3 | 45/370 | 145-175/250 | 3ARR3*10S* | 13.76 | 349.50 | 14.25 | 361.95 | 14.53 | 369.06 |
| H79B35UDBL | 35 | 1.0 | 66.0 | 29.9 | 69.5 | 31.5 | N/A | N/A | N/A | 13.98 | 355.09 | 14.25 | 361.95 | 14.53 | 369.06 |
| H79B35UDBL | 35 | 1.0 | 66.0 | 29.9 | 69.5 | 31.5 | N/A | N/A | N/A | 13.98 | 355.09 | 14.25 | 361.95 | 14.53 | 369.06 |
| H79B35UDBV | 35 | 1.0 | 66.0 | 29.9 | 69.5 | 31.5 | N/A | N/A | N/A | 13.98 | 355.09 | 14.25 | 361.95 | 14.53 | 369.06 |

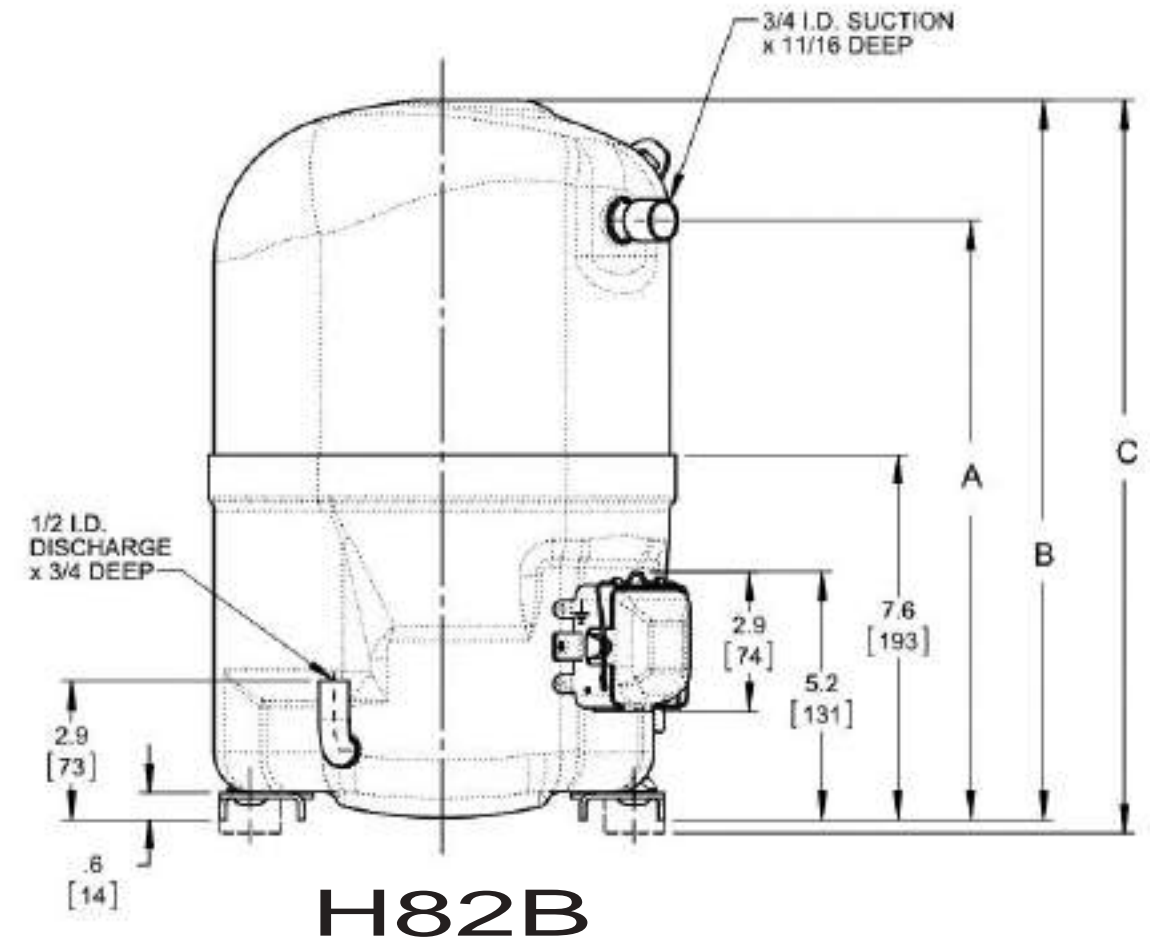
H82B SERIES

| Model | Volts Phase Hz | @45/130 | | | | | @45/100 | | | | | Electrical Data | | | Displacement | |
|----------------------------|----------------|----------|-------|-------------------|---------|-----|----------|-------------------|------|-------|--------|-----------------|-------|-------|--------------|---------|
| | | Capacity | | Motor Input WATTS | EER/COP | | Capacity | Motor Input WATTS | EER | | | | | | | |
| | | BTU/H | WATTS | | BTU/WH | W/W | | | | BTU/H | BTU/WH | RLA | LRA | MCC | IN3/REV | CM3/REV |
| H82B SERIES (R410A) | | | | | | | | | | | | | | | | |
| H82B343ABC | 208-230/1/60 | 34600 | 10138 | 3220 | 10.7 | 3.1 | 47300 | 2500 | 18.9 | 14.8 | 88 | 25.0 | 2.586 | 42.4 | | |
| H82B343DBE | 460/3/60 | 34200 | 10021 | 3190 | 10.7 | 3.1 | 46900 | 2480 | 18.9 | 4.7 | 34 | 8.1 | 2.586 | 42.4 | | |
| H82B343DBE | 380-415/3/50 | 28500 | 8351 | 2720 | 10.5 | 3.1 | 39900 | 2110 | 18.9 | 4.8 | 35 | 7.7 | 2.586 | 42.4 | | |
| H82B343DBL | 200-230/3/60 | 34200 | 10021 | 3190 | 10.7 | 3.1 | 46900 | 2480 | 18.9 | 9.5 | 68 | 17.3 | 2.586 | 42.4 | | |
| H82B343DBL | 200-220/3/50 | 28500 | 8351 | 2720 | 10.5 | 3.1 | 39900 | 2110 | 18.9 | 8.7 | 70 | 16.0 | 2.586 | 42.4 | | |
| H82B363ABC | 208-230/1/60 | 35700 | 10460 | 3320 | 10.7 | 3.1 | 48800 | 2580 | 18.9 | 15.1 | 88 | 25.4 | 2.633 | 43.14 | | |
| H82B363ABH | 265/1/60 | 35900 | 10519 | 3320 | 10.8 | 3.2 | 48600 | 2600 | 18.7 | 12.8 | 81 | 24.5 | 2.633 | 43.14 | | |
| H82B363ABH | H79B35UABH | 29500 | 8644 | 2800 | 10.5 | 3.1 | 40800 | 2140 | 19.1 | 13.7 | 80 | 22.0 | 2.633 | 43.14 | | |
| H82B363DBE | 380-415/3/50 | 29200 | 8556 | 2790 | 10.5 | 3.1 | 40900 | 2170 | 18.9 | 4.9 | 35 | 7.7 | 2.633 | 43.14 | | |
| H82B363DBE | 460/3/60 | 35300 | 10343 | 3290 | 10.7 | 3.1 | 48300 | 2560 | 18.9 | 4.8 | 34 | 8.1 | 2.633 | 43.14 | | |
| H82B363DBF | 575/3/60 | 35300 | 10343 | 3290 | 10.7 | 3.1 | 48300 | 2560 | 18.9 | 3.9 | 28 | 6.2 | 2.633 | 43.14 | | |
| H82B363DBL | 200-230/3/60 | 35300 | 10343 | 3290 | 10.7 | 3.1 | 48300 | 2560 | 18.9 | 9.5 | 68 | 16.0 | 2.633 | 43.14 | | |
| H82B363DBL | 200-220/3/50 | 29200 | 8556 | 2790 | 10.5 | 3.1 | 40900 | 2170 | 18.9 | 9.1 | 70 | 16 | 2.633 | 43.14 | | |

Data Subject to Revision



| Model | Oil Charge | | Weight Net Ship | | | | ELECTRICAL START COMPONENTS | | | DIMENSIONS | | | | | |
|------------|------------|-----|-----------------|------|------|------|-----------------------------|-----------------|--------------|------------|--------|-------|--------|-------|--------|
| | | | | | | | Run Capacitor | Start Capacitor | G.E. | A | | B | | C | |
| | OZ | L | Lbs | Kg | Lbs | Kg | MFD/VOLTS | MFD/VOLTS | Relay | IN | MM | IN | MM | IN | MM |
| H82B343ABC | 35 | 1.0 | 71.0 | 32.2 | 74.5 | 33.8 | 40/370 | 189-227/250 | 3ARR3*3S*() | 12.50 | 318.00 | 15.00 | 381.00 | 15.30 | 389.00 |
| H82B343DBE | 35 | 1.0 | 68.5 | 31.0 | 72.0 | 32.6 | N/A | N/A | N/A | 12.50 | 318.00 | 15.00 | 381.00 | 15.30 | 389.00 |
| H82B343DBE | 35 | 1.0 | 68.5 | 31.0 | 72.0 | 32.6 | N/A | N/A | N/A | 12.50 | 318.00 | 15.00 | 381.00 | 15.30 | 389.00 |
| H82B343DBL | 35 | 1.0 | 68.5 | 31.0 | 72.0 | 32.6 | N/A | N/A | N/A | 12.50 | 318.00 | 15.00 | 381.00 | 15.30 | 389.00 |
| H82B343DBL | 35 | 1.0 | 68.5 | 31.0 | 72.0 | 32.6 | N/A | N/A | N/A | 12.50 | 318.00 | 15.00 | 381.00 | 15.30 | 389.00 |
| H82B363ABC | 35 | 1.0 | 71.0 | 32.2 | 74.5 | 33.8 | 40/370 | 189-227/250 | 3ARR3*3S* | 12.49 | 317.25 | 15.00 | 381.00 | 15.29 | 388.37 |
| H82B363ABH | 35 | 1.0 | 71.0 | 32.2 | 74.5 | 33.8 | 50/440 | 161-193/250 | 3ARR3*3AN*() | 12.50 | 318.00 | 15.00 | 381.00 | 15.30 | 389.00 |
| H82B363ABH | 35 | 1.0 | 71.0 | 32.2 | 74.5 | 33.8 | 50/440 | 161-193/250 | 3ARR3*3AN*() | 12.50 | 318.00 | 15.00 | 381.00 | 15.30 | 389.00 |
| H82B363DBE | 35 | 1.0 | 68.5 | 31.1 | 72.0 | 32.7 | N/A | N/A | N/A | 12.49 | 317.25 | 15.00 | 381.00 | 15.29 | 388.37 |
| H82B363DBE | 35 | 1.0 | 68.5 | 31.1 | 72.0 | 32.7 | N/A | N/A | N/A | 12.49 | 317.25 | 15.00 | 381.00 | 15.29 | 388.37 |
| H82B363DBF | 35 | 1.0 | 68.5 | 31.1 | 72.0 | 32.7 | N/A | N/A | N/A | 12.49 | 317.25 | 15.00 | 381.00 | 15.29 | 388.37 |
| H82B363DBL | 35 | 1.0 | 68.5 | 31.0 | 72.0 | 32.6 | N/A | N/A | N/A | 12.50 | 318.00 | 15.00 | 381.00 | 15.30 | 389.00 |
| H82B363DBL | 35 | 1.0 | 68.5 | 31.0 | 72.0 | 32.6 | N/A | N/A | N/A | 12.50 | 318.00 | 15.00 | 381.00 | 15.30 | 389.00 |

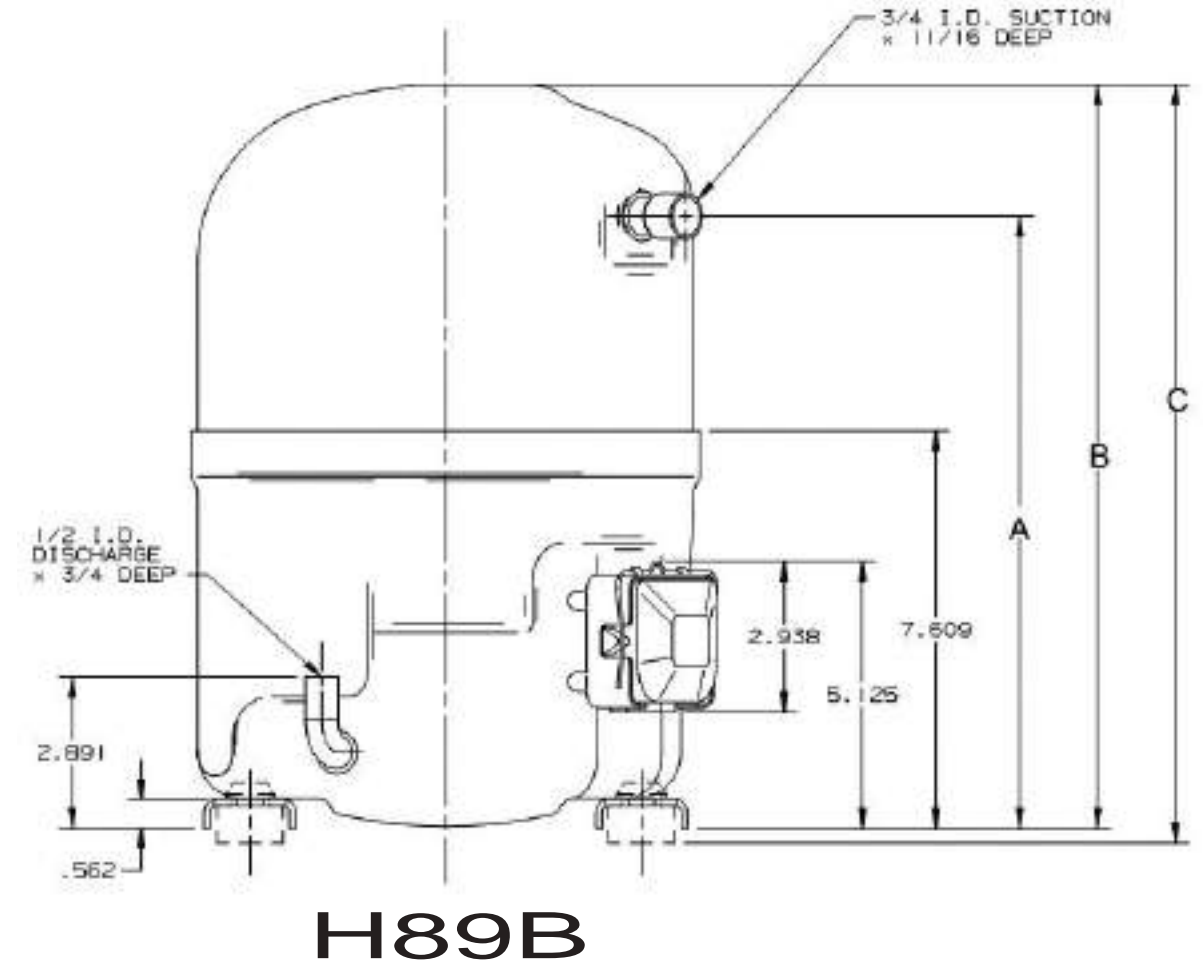


H89B SERIES

| Model | Volts Phase Hz | @45/130 | | | | | @45/100 | | | | | Electrical Data | | | Displacement | |
|----------------------------|----------------|----------|-------|-------------------|---------|-----|----------|--------|-------------------|------|-----|-----------------|-------|---------|--------------|--|
| | | Capacity | | Motor Input WATTS | EER/COP | | Capacity | | Motor Input WATTS | EER | | | | | | |
| | | BTU/H | WATTS | | BTU/WH | W/W | BTU/H | BTU/WH | | | RLA | LRA | MCC | IN3/REV | CM3/REV | |
| H89B SERIES (R410A) | | | | | | | | | | | | | | | | |
| H89B183ABC | 208-230/1/60 | 17700 | 5186 | 1800 | 9.8 | 2.9 | 26000 | 1460 | 17.8 | 8.2 | 48 | 14 | 1.506 | 24.67 | | |
| H89B18BABC | 208-230/1/60 | 17700 | 5186 | 1800 | 9.8 | 2.9 | 26000 | 1460 | 17.8 | 8.2 | 48 | 14 | 1.506 | 24.67 | | |
| H89B223ABC | 208-230/1/60 | 22300 | 6534 | 2260 | 9.9 | 2.9 | 31900 | 1800 | 17.7 | 10.1 | 60 | 17 | 1.810 | 29.66 | | |
| H89B22BABC | 208-230/1/60 | 22300 | 6534 | 2260 | 9.9 | 2.9 | 31900 | 1800 | 17.7 | 10.1 | 60 | 17 | 1.810 | 29.66 | | |

Data Subject to Revision

| Model | Oil Charge | | Weight Net Ship | | | | ELECTRICAL START COMPONENTS | | | DIMENSIONS | | | | | |
|------------|------------|-----|-----------------|------|------|------|-----------------------------|-----------------|------------|------------|--------|-------|--------|-------|--------|
| | | | | | | | Run Capacitor | Start Capacitor | G.E. | A | | B | | C | |
| | OZ | L | Lbs | Kg | Lbs | Kg | MFD/VOLTS | MFD/VOLTS | Relay | IN | MM | IN | MM | IN | MM |
| H89B183ABC | 30 | 0.9 | 60.0 | 27.2 | 63.5 | 28.8 | 30/370 | 270-324/250 | 3ARR3*3BA* | 11.74 | 298.20 | 14.25 | 361.95 | 14.53 | 369.06 |
| H89B18BABC | 30 | 0.9 | 65.5 | 29.7 | 69.0 | 31.3 | 30/370 | 270-324/250 | 3ARR3 3BA | 11.74 | 298.20 | 14.25 | 361.95 | 14.53 | 369.06 |
| H89B223ABC | 30 | 0.9 | 61.0 | 27.7 | 64.5 | 29.3 | 35/370 | 270-324/250 | 3ARR3*3BA* | 11.74 | 298.20 | 14.25 | 361.95 | 14.53 | 369.06 |
| H89B22BABC | 30 | 0.9 | 66.5 | 30.2 | 70.0 | 31.8 | 35/370 | 270-324/250 | 3ARR3*3BA* | 11.74 | 298.20 | 14.25 | 361.95 | 14.53 | 369.06 |



H22G SERIES

| Model | Volts Phase Hz | @45/130 | | | | | @45/100 | | | | | Electrical Data | | | Displacement | |
|------------|----------------|----------|-------|-------------------|---------|-------|----------|-------------------|-------|------|-----|-----------------|---------|---------|--------------|--|
| | | Capacity | | Motor Input WATTS | EER/COP | | Capacity | Motor Input WATTS | EER | RLA | LRA | MCC | IN3/REV | CM3/REV | | |
| | | BTU/H | WATTS | | BTU/WH | W/W | | | | | | | | | BTU/H | |
| | | BTU/H | WATTS | BTU/WH | W/W | BTU/H | W/W | BTU/WH | W/W | | | | | | | |
| H22G094DBD | 208-230-3-60 | 90500 | 26555 | 8380 | 10.8 | 3.2 | 114778 | 6162 | 18.6 | 25.2 | 190 | 41 | 9.99 | 163.7 | | |
| H22G094DBD | 200-220/3/50 | 75417 | 22129 | 6983 | 10.8 | 3.2 | 95649 | 5135 | 18.6 | 25.2 | 190 | 41 | 9.99 | 163.7 | | |
| H22G094DBE | 380-415/3/50 | 72400 | 21213 | 7020 | 10.3 | 3.0 | 100323 | 6147 | 21.2 | 12 | 72 | 18 | 9.99 | 163.7 | | |
| H22G094DBE | 460/3/60 | 88700 | 25989 | 8580 | 10.3 | 3.0 | 118016 | 6912 | 20.9 | 12.3 | 72 | 19 | 9.99 | 163.7 | | |
| H22G094GPD | 200-220/3/50 | 70000 | 20510 | 7100 | 9.9 | 2.9 | 95246 | 6058 | 15.7 | 26 | 140 | 41.4 | 9.99 | 163.7 | | |
| H22G094GPD | 208-230-3-60 | 87700 | 25696 | 8680 | 10.1 | 3.0 | 119353 | 7411 | 16.1 | 25.3 | 140 | 41.4 | 9.99 | 163.7 | | |
| H22G094GPE | 380-415/3/50 | 70000 | 20510 | 7100 | 9.9 | 2.9 | 95246 | 6058 | 15.7 | 11.9 | 66 | 20.7 | 9.99 | 163.7 | | |
| H22G094GPE | 460/3/60 | 87700 | 25696 | 8680 | 10.1 | 3.0 | 119353 | 7411 | 14.7 | 12.7 | 70 | 20.7 | 9.99 | 163.7 | | |
| H22G104DBD | 208-230-3-60 | 102000 | 29929 | 9445 | 10.8 | 3.2 | 125877 | 6866 | 18.0 | 29.8 | 228 | 52 | 11.19 | 183.29 | | |
| H22G104DBD | 200-220/3/50 | 85000 | 24941 | 7871 | 10.8 | 3.2 | 104697 | 5705 | 18.4 | 29.8 | 228 | 52 | 11.19 | 183.29 | | |
| H22G104DBE | 380-415/3/50 | 84400 | 24729 | 8150 | 10.4 | 3.0 | 114231 | 6707 | 17.0 | 14.2 | 77 | 20.2 | 11.19 | 183.29 | | |
| H22G104DBE | 460-3-60 | 103900 | 30443 | 10030 | 10.4 | 3.0 | 130782 | 8057 | 16.2 | 14.6 | 87 | 22 | 11.19 | 183.29 | | |
| H22G124DBD | 200-220/3/50 | 100000 | 29300 | 9920 | 10.1 | 3.0 | 130286 | 8167 | 18.9 | 36 | 215 | 51 | 12.61 | 206.57 | | |
| H22G124DBD | 208-230-3-60 | 121500 | 35600 | 12030 | 10.1 | 3.0 | 156344 | 9923 | 15.7 | 36 | 205 | 56 | 12.61 | 206.57 | | |
| H22G124DBE | 380-415/3/50 | 97000 | 28421 | 9790 | 9.9 | 2.9 | 126417 | 8058 | 15.6 | 16.5 | 80 | 25 | 12.61 | 206.57 | | |
| H22G124DBE | 460/3/60 | 119000 | 34867 | 12010 | 9.9 | 2.9 | 156814 | 9758 | 16.0 | 17 | 85 | 25 | 12.61 | 206.57 | | |
| H22G124GPD | 200-220/3/50 | 99400 | 29124 | 10160 | 9.8 | 2.9 | 131434 | 8506 | 15.4 | 37 | 192 | 56.3 | 12.61 | 206.57 | | |
| H22G124GPD | 208-230-3-60 | 119400 | 34984 | 12380 | 9.6 | 2.8 | 157867 | 10365 | 15.2 | 36 | 192 | 59 | 12.61 | 206.57 | | |
| H22G124GPE | 380-415/3/50 | 99400 | 29124 | 10160 | 9.8 | 2.9 | 134434 | 8506 | 15.4 | 17.1 | 90 | 29.5 | 12.61 | 206.57 | | |
| H22G124GPE | 460/3/60 | 119400 | 34984 | 12380 | 9.6 | 2.8 | 157867 | 10365 | 15.23 | 18.1 | 96 | 29.5 | 12.61 | 206.57 | | |
| H22G144DBD | 208-230-3-60 | 140000 | 41079 | 13860 | 10.1 | 3.0 | 181781 | 11514 | 15.8 | 43.1 | 252 | 69 | 15.05 | 246.47 | | |
| H22G144DBD | 200-220/3/50 | 116667 | 34233 | 11550 | 10.1 | 3.0 | 151485 | 9595 | 15.8 | 43.1 | 252 | 69 | 15.05 | 246.47 | | |
| H22G144DBE | 460/3/60 | 140000 | 41079 | 13860 | 10.1 | 3.0 | 181781 | 11514 | 15.8 | 21.6 | 126 | 34.5 | 15.05 | 246.47 | | |
| H22G144DBE | 380-415/3/50 | 116700 | 34193 | 11550 | 10.1 | 3.0 | 151485 | 9595 | 16.9 | 21.6 | 126 | 34.5 | 15.05 | 246.47 | | |
| H22G184DPD | 208-230-3-60 | 183200 | 53755 | 17740 | 10.3 | 3.0 | 240628 | 14222 | 16.9 | 51.8 | 234 | 80 | 20.44 | 334.81 | | |
| H22G184DPD | 200-220/3/50 | 147200 | 43192 | 14250 | 10.3 | 3.0 | 203697 | 11861 | 17.2 | 53.5 | 265 | 80 | 20.44 | 334.81 | | |
| H22G184DPE | 460/3/60 | 183200 | 53755 | 17740 | 10.3 | 3.0 | 240628 | 14222 | 16.9 | 25.9 | 117 | 40 | 20.44 | 334.81 | | |
| H22G184DPE | 380-415/3/50 | 147200 | 43192 | 14250 | 10.3 | 3.0 | 203697 | 11861 | 17.2 | 26 | 125 | 40 | 20.44 | 334.81 | | |
| H22G184GPD | 200-220/3/50 | 147200 | 43130 | 14250 | 10.3 | 3.0 | 198109 | 11694 | 16.9 | 53 | 265 | 88 | 20.44 | 334.81 | | |
| H22G184GPD | 208-230-3-60 | 182300 | 53414 | 17640 | 10.3 | 3.0 | 245276 | 14479 | 16.9 | 51.3 | 248 | 88 | 20.44 | 334.81 | | |
| H22G184GPE | 380-415/3/50 | 147200 | 43130 | 14250 | 10.3 | 3.0 | 198109 | 11694 | 16.9 | 24.6 | 126 | 44 | 20.44 | 334.81 | | |
| H22G184GPE | 460/3/60 | 182300 | 53414 | 17.64 | 10.3 | 3.0 | 245276 | 14479 | 16.9 | 25.6 | 124 | 44 | 20.44 | 334.81 | | |
| H22G204DRE | 460/3/60 | 212400 | 62323 | 20870 | 10.2 | 3.0 | 274724 | 17063 | 16.1 | 30 | 141 | 49 | 23.26 | 381 | | |
| H22G204DRE | 380-415/3/50 | 173680 | 50961 | 16770 | 10.4 | 3.0 | 233895 | 13773 | 17.0 | 30 | 150 | 49 | 23.26 | 381 | | |
| H22G204FRD | 208-230-3-60 | 212400 | 62323 | 20870 | 10.2 | 3.0 | 274724 | 17063 | 16.1 | 60 | 282 | 98 | 23.26 | 381 | | |
| H22G204FRD | 200-220/3/50 | 173680 | 50961 | 16770 | 10.4 | 3.0 | 233895 | 13773 | 17.0 | 62 | 320 | 98 | 23.26 | 381 | | |
| H22G204GPD | 200-220/3/50 | 173700 | 50894 | 16770 | 10.4 | 3.0 | 227894 | 13940 | 16.3 | 62 | 316 | 98 | 23.26 | 381 | | |
| H22G204GPD | 208-230-3-60 | 211800 | 62057 | 20830 | 10.2 | 3.0 | 277888 | 17309 | 16.05 | 60 | 300 | 98 | 23.26 | 381 | | |
| H22G204GPE | 380-415/3/50 | 173700 | 50894 | 16770 | 10.4 | 3.0 | 227894 | 13940 | 16.3 | 28.9 | 150 | 49 | 23.26 | 381 | | |
| H22G204GPE | 460/3/60 | 211800 | 62057 | 20830 | 10.2 | 3.0 | 277888 | 17309 | 16.0 | 30 | 150 | 49 | 23.26 | 381 | | |
| H22G244DRE | 460/3/60 | 252900 | 74206 | 25400 | 10.0 | 2.9 | 324489 | 21149 | 15.3 | 36.6 | 180 | 56 | 26.8 | 438.98 | | |
| H22G244DRE | 380-415/3/50 | 199850 | 58640 | 20220 | 9.9 | 2.9 | 261705 | 16843 | 15.5 | 36.5 | 190 | 56 | 26.8 | 438.98 | | |

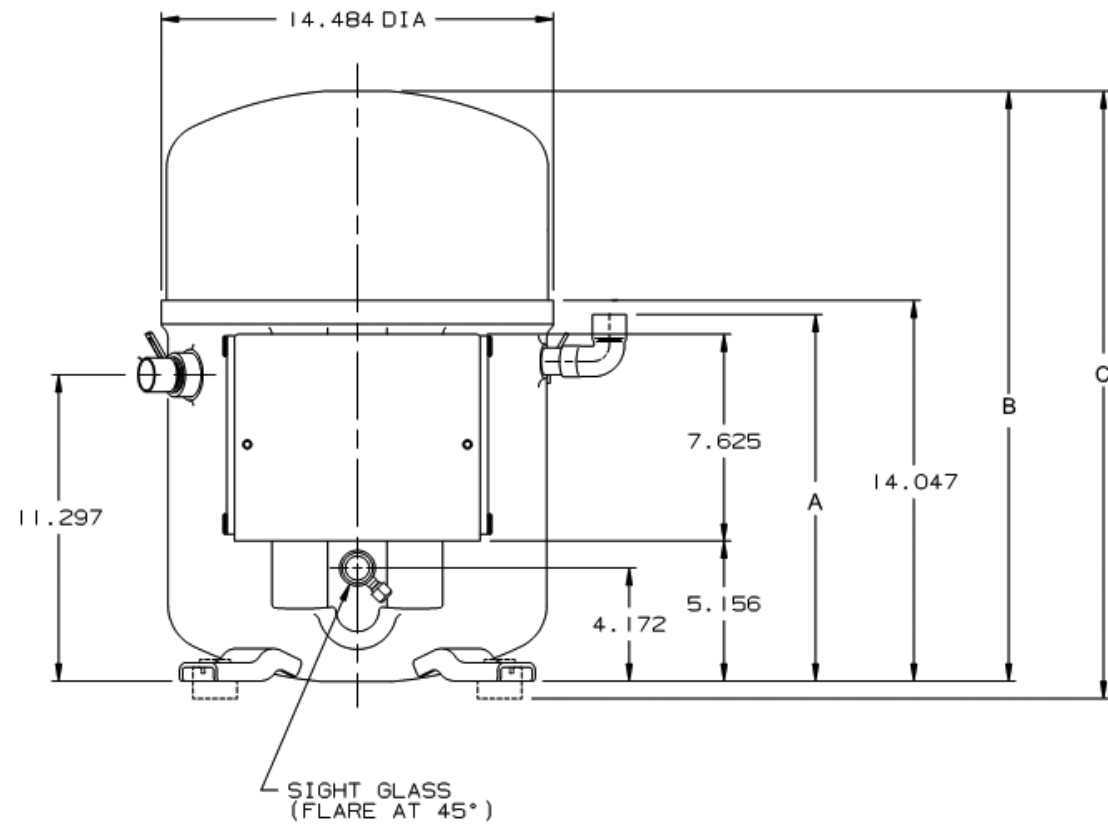
Data Subject to Revision

| Model | Oil Charge | L | Weight Net Ship | | | | ELECTRICAL START COMPONENTS | | | DIMENSIONS | | | | | | |
|------------|------------|-----|-----------------|-------|-------|-------|-----------------------------|---------------|-----------------|------------|-----------|-----------|--------|-------|--------|----|
| | | | OZ | Lbs | Kg | Lbs | Kg | Run Capacitor | Start Capacitor | G.E. | A | | B | | C | |
| | | | | | | | | | | | MFD/VOLTS | MFD/VOLTS | Relay | IN | MM | IN |
| | | | IN | MM | IN | MM | IN | MM | | | | | | | | |
| H22G094DBD | 96 | 2.8 | 146.0 | 66.4 | 155.0 | 70.5 | N/A | N/A | N/A | 9.00 | 228.40 | 18.30 | 465.50 | 18.70 | 473.60 | |
| H22G094DBD | 96 | 2.8 | 146.0 | 66.4 | 155.0 | 70.5 | N/A | N/A | N/A | 9.00 | 228.40 | 18.30 | 465.50 | 18.70 | 473.60 | |
| H22G094DBE | 96 | 2.8 | 128.0 | 58.1 | 138.0 | 62.6 | N/A | N/A | N/A | 9.00 | 228.60 | 17.60 | 447.04 | 17.90 | 454.66 | |
| H22G094DBE | 96 | 2.8 | 128.0 | 58.1 | 138.0 | 62.6 | N/A | N/A | N/A | 9.00 | 228.60 | 17.60 | 447.04 | 17.90 | 454.66 | |
| H22G094GPD | 96 | 0.0 | 152.0 | 68.9 | 161.0 | 73.0 | N/A | N/A | N/A | 9.00 | 228.60 | 17.09 | 434.09 | 17.40 | 441.96 | |
| H22G094GPD | 96 | 0.0 | 152.0 | 68.9 | 161.0 | 73.0 | N/A | N/A | N/A | 9.00 | 228.60 | 17.09 | 434.09 | 17.40 | 441.96 | |
| H22G094GPE | 96 | 2.8 | 152.0 | 68.9 | 161.0 | 73.0 | N/A | N/A | N/A | 9.00 | 228.60 | 17.09 | 434.09 | 17.40 | 441.96 | |
| H22G094GPE | 96 | 2.8 | 152.0 | 68.9 | 161.0 | 73.0 | N/A | N/A | N/A | 9.00 | 228.60 | 17.09 | 434.09 | 17.40 | 441.96 | |
| H22G104DBD | 96 | 2.8 | 154.0 | 70.0 | 163.0 | 74.1 | N/A | N/A | N/A | 9.00 | 228.40 | 19.60 | 496.90 | 19.90 | 505.10 | |
| H22G104DBD | 96 | 2.8 | 154.0 | 70.0 | 163.0 | 74.1 | N/A | N/A | N/A | 9.00 | 228.40 | 19.60 | 496.90 | 19.90 | 505.10 | |
| H22G104DBE | 96 | 2.8 | 144.0 | 65.3 | 154.0 | 69.9 | N/A | N/A | N/A | 9.00 | 228.60 | 18.30 | 464.82 | 18.60 | 472.44 | |
| H22G104DBE | 96 | 2.8 | 144.0 | 65.3 | 153.0 | 69.4 | N/A | N/A | N/A | 9.00 | 228.60 | 18.30 | 464.82 | 18.60 | 472.44 | |
| H22G124DBD | 96 | 2.8 | 146.0 | 66.2 | 155.0 | 70.3 | N/A | N/A | N/A | 9.00 | 228.60 | 18.30 | 464.82 | 18.60 | 472.44 | |
| H22G124DBD | 96 | 2.8 | 146.0 | 66.2 | 155.0 | 70.3 | N/A | N/A | N/A | 9.00 | 228.60 | 18.30 | 464.82 | 18.60 | 472.44 | |
| H22G124DBE | 96 | 2.8 | 146.0 | 66.2 | 155.0 | 70.3 | N/A | N/A | N/A | 9.00 | 228.60 | 18.30 | 464.82 | 18.60 | 472.44 | |
| H22G124DBE | 96 | 2.8 | 146.0 | 66.2 | 155.0 | 70.3 | N/A | N/A | N/A | 9.00 | 228.60 | 18.30 | 464.82 | 18.60 | 472.44 | |
| H22G124GPD | 96 | 2.8 | 164.0 | 74.4 | 173.0 | 78.5 | N/A | N/A | N/A | 9.00 | 228.60 | 17.80 | 452.12 | 18.15 | 461.01 | |
| H22G124GPD | 96 | 2.8 | 164.0 | 74.4 | 173.0 | 78.5 | N/A | N/A | N/A | 9.00 | 228.60 | 17.80 | 452.12 | 18.15 | 461.01 | |
| H22G124GPE | 96 | 2.8 | 164.0 | 74.4 | 173.0 | 78.5 | N/A | N/A | N/A | 9.00 | 228.60 | 17.80 | 452.12 | 18.15 | 461.01 | |
| H22G124GPE | 96 | 2.8 | 164.0 | 74.4 | 173.0 | 78.5 | N/A | N/A | N/A | 9.00 | 228.60 | 17.80 | 452.12 | 18.15 | 461.01 | |
| H22G144DBD | 96 | 2.8 | 167.0 | 75.9 | 176.0 | 80.0 | N/A | N/A | N/A | 9.00 | 228.40 | 20.60 | 522.30 | 20.90 | 530.40 | |
| H22G144DBD | 96 | 2.8 | 167.0 | 75.9 | 176.0 | 80.0 | N/A | N/A | N/A | 9.00 | 228.40 | 20.60 | 522.30 | 20.90 | 530.40 | |
| H22G144DBE | 96 | 2.8 | 167.0 | 75.9 | 176.0 | 80.0 | N/A | N/A | N/A | 9.00 | 228.40 | 20.60 | 522.30 | 20.90 | 530.40 | |
| H22G144DBE | 96 | 2.8 | 167.0 | 75.7 | 176.0 | 79.8 | N/A | N/A | N/A | 9.00 | 228.60 | 20.58 | 522.73 | 20.89 | 530.61 | |
| H22G184DPD | 224 | 6.6 | 241.0 | 109.5 | 252.0 | 114.5 | N/A | N/A | N/A | 11.80 | 299.50 | 21.80 | 552.00 | 22.40 | 568.80 | |
| H22G184DPD | 224 | 6.6 | 241.0 | 109.5 | 252.0 | 114.5 | N/A | N/A | N/A | 11.80 | 299.50 | 21.80 | 552.00 | 22.40 | 568.80 | |
| H22G184DPE | 224 | 6.6 | 241.0 | 109.5 | 252.0 | 114.5 | N/A | N/A | N/A | 11.80 | 299.50 | 21.80 | 552.00 | 22.40 | 568.80 | |
| H22G184DPE | 224 | 6.6 | 241.0 | 109.5 | 252.0 | 114.5 | N/A | N/A | N/A | 11.80 | 299.50 | 21.80 | 552.00 | 22.40 | 568.80 | |
| H22G184GPD | 224 | 6.6 | 239.0 | 108.4 | 251.0 | 113.9 | N/A | N/A | N/A | 11.79 | 299.47 | 21.75 | 552.45 | 22.40 | 568.96 | |
| H22G184GPD | 224 | 6.6 | 239.0 | 108.4 | 251.0 | 113.9 | N/A | N/A | N/A | 11.79 | 299.47 | 21.75 | 552.45 | 22.40 | 568.96 | |
| H22G184GPE | 224 | 6.6 | 239.0 | 108.4 | 251.0 | 113.9 | N/A | N/A | N/A | 11.79 | 299.47 | 21.75 | 552.45 | 22.40 | 568.96 | |
| H22G184GPE | 224 | 6.6 | 239.0 | 108.4 | 251.0 | 113.9 | N/A | N/A | N/A | 11.79 | 299.47 | 21.75 | 552.45 | 22.40 | 568.96 | |
| H22G204DRE | 224 | 6.6 | 248.0 | 112.7 | 259.0 | 117.7 | N/A | N/A | N/A | 11.80 | 2 | | | | | |

H22G SERIES

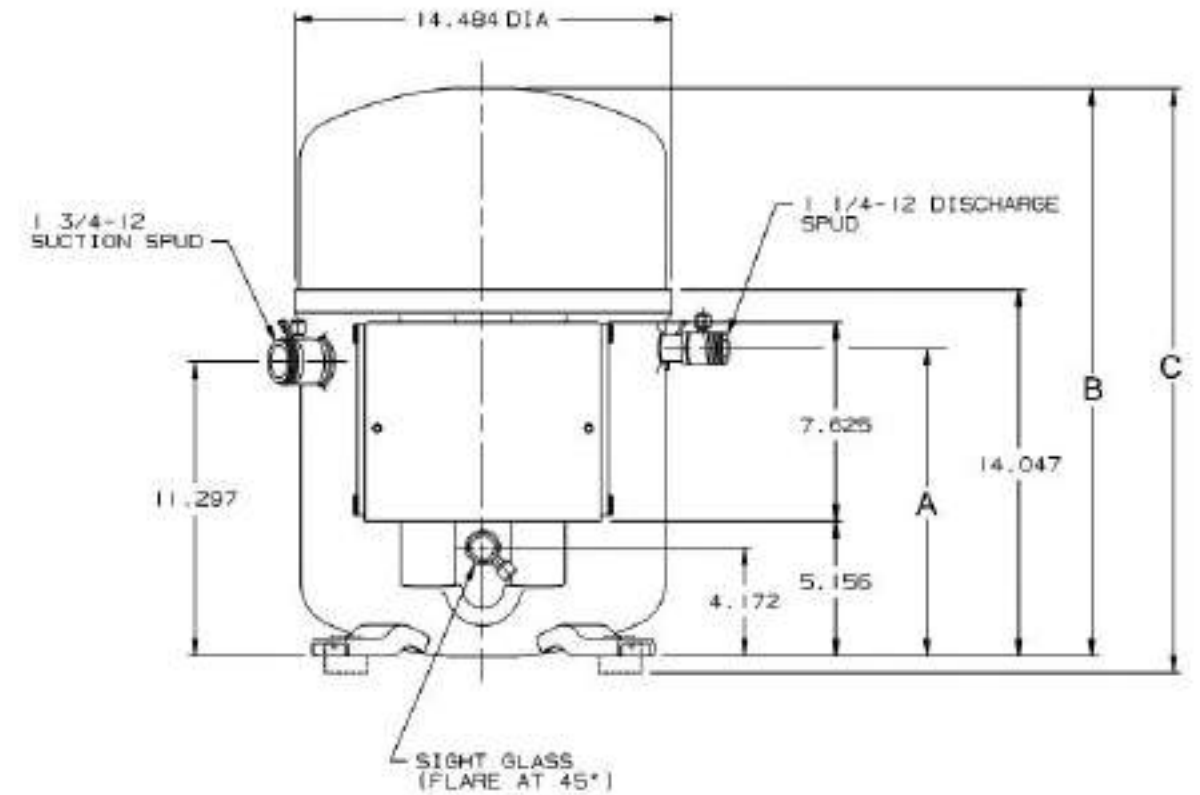
| Model | Volts Phase Hz | @45/130 | | | @45/100 | | | Electrical Data | | | Displacement | | | |
|--------------------------|----------------|----------|-------|-------------------|---------|-----|----------|-------------------|------|------|--------------|-----|---------|---------|
| | | Capacity | | Motor Input WATTS | EER/COP | | Capacity | Motor Input WATTS | EER | RLA | LRA | MCC | IN3/REV | CM3/REV |
| | | BTU/H | WATTS | | BTU/WH | W/W | | | | | | | | |
| H22G SERIES (R22) | | | | | | | | | | | | | | |
| H22G244FRD | 208-230-3-60 | 252900 | 74206 | 25400 | 10.0 | 2.9 | 324489 | 21149 | 15.3 | 73.1 | 360 | 112 | 26.8 | 438.98 |
| H22G244FRD | 200-220/3/50 | 199850 | 58640 | 20220 | 9.9 | 2.9 | 261705 | 16843 | 15.5 | 75 | 400 | 112 | 26.8 | 438.98 |
| H22G244GPD | 200-220/3/50 | 199800 | 58541 | 20210 | 9.9 | 2.9 | 257091 | 16889 | 15.2 | 75 | 400 | 124 | 26.8 | 438.98 |
| H22G244GPD | 208-230-3-60 | 253300 | 74217 | 25480 | 9.9 | 2.9 | 325806 | 21277 | 15.3 | 73.1 | 362 | 124 | 26.8 | 438.98 |
| H22G244GPE | 380-415/3/50 | 199800 | 58541 | 20210 | 9.9 | 2.9 | 257091 | 16889 | 15.2 | 35.2 | 188 | 62 | 26.8 | 438.98 |
| H22G244GPE | 460/3/60 | 253300 | 74217 | 25480 | 9.9 | 2.9 | 325806 | 21277 | 15.3 | 36.6 | 181 | 62 | 26.8 | 438.98 |
| H22G294DPE | 460/3/60 | 287300 | 84300 | 30370 | 9.5 | 2.8 | 364523 | 25633 | 14.2 | 43.9 | 200 | 69 | 31.02 | 508.11 |
| H22G294DPE | 380-415/3/50 | 238000 | 69834 | 25300 | 9.4 | 2.8 | 312204 | 20968 | 14.9 | 44 | 215 | 69 | 31.02 | 508.11 |
| H22G294FPD | 208-230-3-60 | 287300 | 84300 | 30370 | 9.5 | 2.8 | 364519 | 25633 | 14.2 | 87.7 | 400 | 138 | 31.02 | 508.11 |
| H22G294FPD | 200-220/3/50 | 238000 | 69834 | 25300 | 9.4 | 2.8 | 312204 | 20968 | 14.9 | 90.5 | 450 | 138 | 31.02 | 508.11 |

Data Subject to Revision



H22G

| Model | Oil Charge | | Weight | | | | ELECTRICAL START COMPONENTS | | | DIMENSIONS | | | | | |
|------------|------------|-----|--------|-------|-------|-------|-----------------------------|---------------------------|------------|------------|--------|-------|--------|-------|--------|
| | OZ | L | Net | | Ship | | Run Capacitor MFD/VOLTS | Start Capacitor MFD/VOLTS | G.E. Relay | A | | B | | C | |
| | | | Lbs | Kg | Lbs | Kg | | | | IN | MM | IN | MM | IN | MM |
| H22G244FRD | 224 | 6.6 | 257.0 | 116.8 | 272.0 | 123.6 | N/A | N/A | N/A | 11.80 | 299.50 | 21.80 | 552.00 | 22.40 | 568.80 |
| H22G244FRD | 224 | 6.6 | 257.0 | 116.8 | 272.0 | 123.6 | N/A | N/A | N/A | 11.80 | 299.50 | 21.80 | 552.00 | 22.40 | 568.80 |
| H22G244GPD | 224 | 6.6 | 255.0 | 115.7 | 267.0 | 121.1 | N/A | N/A | N/A | 11.79 | 299.47 | 21.75 | 552.45 | 22.40 | 568.96 |
| H22G244GPD | 224 | 6.6 | 255.0 | 115.7 | 267.0 | 121.1 | N/A | N/A | N/A | 11.79 | 299.47 | 21.75 | 552.45 | 22.40 | 568.96 |
| H22G244GPE | 224 | 6.6 | 255.0 | 115.7 | 267.0 | 121.1 | N/A | N/A | N/A | 11.79 | 299.47 | 21.75 | 552.45 | 22.40 | 568.96 |
| H22G244GPE | 224 | 6.6 | 255.0 | 115.7 | 267.0 | 121.1 | N/A | N/A | N/A | 11.79 | 299.47 | 21.75 | 552.45 | 22.40 | 568.96 |
| H22G294DPE | 224 | 6.6 | 268.0 | 121.8 | 279.0 | 126.8 | N/A | N/A | N/A | 11.80 | 299.50 | 21.80 | 552.00 | 22.40 | 568.80 |
| H22G294DPE | 224 | 6.6 | 268.0 | 121.8 | 279.0 | 126.8 | N/A | N/A | N/A | 11.80 | 299.50 | 21.80 | 552.00 | 22.40 | 568.80 |
| H22G294FPD | 224 | 6.6 | 268.0 | 121.8 | 279.0 | 126.8 | N/A | N/A | N/A | 11.80 | 299.50 | 21.80 | 552.00 | 22.40 | 568.80 |
| H22G294FPD | 224 | 6.6 | 268.0 | 121.8 | 279.0 | 126.8 | N/A | N/A | N/A | 11.80 | 299.50 | 21.80 | 552.00 | 22.40 | 568.80 |



H22G

H2NG SERIES

| Model | Volts Phase Hz | @45/130 | | | | | @45/100 | | | | | Electrical Data | | | Displacement | |
|-------|----------------|----------|-------|-------------------|---------|-----|----------|-------------------|-----|-----|-----|-----------------|---------|---------|--------------|--------|
| | | Capacity | | Motor Input WATTS | EER/COP | | Capacity | Motor Input WATTS | EER | RLA | LRA | MCC | IN3/REV | CM3/REV | | |
| | | BTU/H | WATTS | | BTU/WH | W/W | | | | | | | | | BTU/H | BTU/WH |

H2NG SERIES (R22)

| | | | | | | | | | | | | | | |
|--------------|--------------|--------|-------|-------|------|-----|--------|-------|------|------|-----|------|-------|--------|
| H2NG094GPD-1 | 208-230-3-60 | 38900 | 11408 | 4630 | 8.4 | 2.5 | 55300 | 3560 | 15.5 | 12.7 | 48 | | | |
| H2NG094GPD-2 | 208-230-3-60 | 87700 | 25718 | 8685 | 10.1 | 3.0 | 119400 | 7411 | 16.1 | 25.3 | 140 | 41.4 | 10.22 | 172.51 |
| H2NG094GPD-1 | 200-220/3/50 | 29600 | 8680 | 3910 | 7.6 | 2.2 | 43000 | 2900 | 14.8 | 13 | 48 | | | |
| H2NG094GPD-2 | 200-220/3/50 | 70000 | 20528 | 7100 | 9.9 | 2.9 | 95250 | 6100 | 15.6 | 26 | 140 | 41.4 | 10.22 | 172.51 |
| H2NG094GPE-1 | 460/3/60 | 38900 | 11408 | 4630 | 8.4 | 2.5 | 55300 | 3560 | 15.5 | 6.4 | 24 | | | |
| H2NG094GPE-2 | 460/3/60 | 87700 | 25718 | 8685 | 10.1 | 3.0 | 119400 | 7411 | 16.1 | 12.7 | 70 | 20.7 | 10.22 | 172.51 |
| H2NG094GPE-1 | 380-415/3/50 | 29600 | 8680 | 3910 | 7.6 | 2.2 | 43000 | 2900 | 14.8 | 7.3 | 23 | | | |
| H2NG094GPE-2 | 380-415/3/50 | 70000 | 20528 | 7100 | 9.9 | 2.9 | 95250 | 6100 | 15.6 | 11.9 | 66 | 20.7 | 10.22 | 172.51 |
| H2NG094GPF-1 | 575/3/60 | 38900 | 11408 | 4630 | 8.4 | 2.5 | 55850 | 7410 | 7.5 | 5.1 | 19 | | | |
| H2NG094GPF-2 | 575/3/60 | 87700 | 25718 | 8685 | 10.1 | 3.0 | 119400 | 7850 | 15.2 | 10.2 | 56 | 16.6 | 10.22 | 172.51 |
| H2NG094GPF-1 | 500/3/50 | 29600 | 8680 | 3910 | 7.6 | 2.2 | 43000 | 2900 | 14.8 | 20 | 6 | | | |
| H2NG094GPF-2 | 500/3/50 | 70000 | 20528 | 7100 | 9.9 | 2.9 | 95250 | 6100 | 15.6 | 58 | 10 | 16.6 | 10.22 | 172.51 |
| H2NG104GPD-1 | 208-230-3-60 | 45200 | 13255 | 5195 | 8.7 | 2.5 | 66300 | 3990 | 16.6 | 15 | 56 | | | |
| H2NG104GPD-2 | 208-230-3-60 | 101800 | 29853 | 10335 | 9.9 | 2.9 | 136600 | 8740 | 15.6 | 30 | 162 | 48 | 11.63 | 196.31 |
| H2NG104GPD-1 | 200-220/3/50 | 36725 | 10770 | 4500 | 8.2 | 2.4 | 51490 | 3360 | 15.3 | 15.5 | 56 | | | |
| H2NG104GPD-2 | 200-220/3/50 | 84600 | 24809 | 8325 | 10.2 | 3.0 | 113450 | 7040 | 16.1 | 31 | 162 | 48 | 11.63 | 196.31 |
| H2NG104GPE-1 | 460/3/60 | 45200 | 13255 | 5195 | 8.7 | 2.5 | 66000 | 4000 | 16.5 | 7.5 | 28 | | | |
| H2NG104GPE-2 | 460/3/60 | 101800 | 29853 | 10335 | 9.9 | 2.9 | 136600 | 8740 | 15.6 | 15 | 81 | 24 | 11.63 | 196.31 |
| H2NG104GPE-1 | 380-415/3/50 | 36725 | 10770 | 4500 | 8.2 | 2.4 | 51490 | 3360 | 15.3 | 8.6 | 26 | | | |
| H2NG104GPE-2 | 380-415/3/50 | 84600 | 24809 | 8325 | 10.2 | 3.0 | 113450 | 7040 | 16.1 | 14.3 | 76 | 24 | 11.63 | 196.31 |
| H2NG104GPF-1 | 575/3/60 | 45200 | 13255 | 5195 | 8.7 | 2.5 | 66000 | 4000 | 16.5 | 6 | 22 | | | |
| H2NG104GPF-2 | 575/3/60 | 101800 | 29853 | 10335 | 9.9 | 2.9 | 136600 | 8740 | 15.6 | 12 | 65 | 19.2 | 11.63 | 196.31 |
| H2NG104GPF-1 | 500-3-50 | 36725 | 10770 | 4500 | 8.2 | 2.4 | 51490 | 3360 | 15.3 | 23 | 6 | | | |
| H2NG104GPF-2 | 500/3/50 | 84600 | 24809 | 8325 | 10.2 | 3.0 | 113450 | 7040 | 16.1 | 68 | 12 | 19.2 | 11.63 | 196.31 |
| H2NG124GPD-1 | 208-230-3-60 | 54600 | 16012 | 6350 | 8.6 | 2.5 | 75500 | 4702 | 16.1 | 18.1 | 66 | | | |
| H2NG124GPD-2 | 208-230-3-60 | 119400 | 35015 | 12380 | 9.6 | 2.8 | 157900 | 10400 | 15.2 | 36.2 | 192 | 56.3 | 13.94 | 235.37 |
| H2NG124GPD-1 | 200-220/3/50 | 43800 | 12845 | 5470 | 8.0 | 2.3 | 60900 | 4110 | 14.8 | 18.5 | 66 | | | |
| H2NG124GPD-2 | 200-220/3/50 | 99400 | 29150 | 10160 | 9.8 | 2.9 | 131450 | 8510 | 15.4 | 37 | 192 | 56.3 | 13.94 | 235.31 |
| H2NG124GPE-1 | 460/3/60 | 54600 | 16012 | 6350 | 8.6 | 2.5 | 75500 | 4702 | 16.1 | 9.1 | 33 | | | |
| H2NG124GPE-2 | 460/3/60 | 119400 | 35015 | 12380 | 9.6 | 2.8 | 157900 | 10400 | 15.2 | 18.1 | 96 | 18.1 | 13.94 | 235.31 |
| H2NG124GPE-1 | 380-415/3/50 | 43800 | 12845 | 5470 | 8.0 | 2.3 | 60900 | 4110 | 14.8 | 10.2 | 33 | | | |
| H2NG124GPE-2 | 380-415/3/50 | 99400 | 29150 | 10160 | 9.8 | 2.9 | 131450 | 8510 | 15.4 | 17.1 | 90 | 29.5 | 13.94 | 235.31 |
| H2NG124GPF-1 | 575/3/60 | 54600 | 16012 | 6350 | 8.6 | 2.5 | 75500 | 4702 | 16.1 | 14.5 | 77 | | | |
| H2NG124GPF-2 | 575/3/60 | 119400 | 35015 | 12380 | 9.6 | 2.8 | 157900 | 10400 | 15.2 | 7.3 | 26 | 23.6 | 13.94 | 235.37 |
| H2NG124GPF-1 | 500/3/50 | 43800 | 12845 | 5470 | 8.0 | 2.3 | 60900 | 4110 | 14.8 | 27 | 7 | | | |
| H2NG124GPF-2 | 500-3-50 | 99400 | 29150 | 10160 | 9.8 | 2.9 | 131450 | 8510 | 15.4 | 80 | 15 | 23.6 | 13.4 | 226.19 |
| H2NG184GPD-1 | 208-230-3-60 | 80240 | 23544 | 8630 | 9.3 | 2.7 | 115528 | 6705 | 17.2 | 25.6 | 89 | | | |
| H2NG184GPD-2 | 208-230-3-60 | 183200 | 53755 | 17740 | 10.3 | 3.0 | 245276 | 14479 | 16.9 | 51.3 | 248 | 88 | 20.44 | 334.81 |
| H2NG184GPD-1 | 200-220/3/50 | 66025 | 19373 | 7310 | 9.0 | 2.6 | 198109 | 11694 | 16.9 | 26.5 | 92 | | | |
| H2NG184GPD-2 | 200-220/3/50 | 147200 | 43192 | 14250 | 10.3 | 3.0 | 90293 | 5535 | 16.3 | 53 | 265 | 88 | 20.44 | 334.81 |
| H2NG184GPE-1 | 460/3/60 | 80240 | 23544 | 8630 | 9.3 | 2.7 | 115330 | 6697 | 17.2 | 12.8 | 45 | | | |
| H2NG184GPE-2 | 460/3/60 | 183200 | 53755 | 17740 | 10.3 | 3.0 | 245314 | 14480 | 16.9 | 20.5 | 100 | 35.2 | 20.44 | 334.79 |
| H2NG184GPE-1 | 380-415/3/50 | 66025 | 19373 | 7310 | 9.0 | 2.6 | 90293 | 5535 | 16.3 | 14 | 44 | | | |
| H2NG184GPE-2 | 380-415/3/50 | 147200 | 43192 | 14250 | 10.3 | 3.0 | 198109 | 11694 | 16.9 | 24.6 | 126 | 44 | 20.44 | 334.81 |

Data Subject to Revision

| Model | Oil Charge | L | Weight | | | | ELECTRICAL START COMPONENTS | | | DIMENSIONS | | | | | |
|-------|------------|---|--------|------|-----|----|-----------------------------|-----------------|------|------------|-----------|-------|----|----|----|
| | | | Net | Ship | Lbs | Kg | Run Capacitor | Start Capacitor | G.E. | A | | B | | C | |
| | | | | | | | | | | MFD/VOLTS | MFD/VOLTS | Relay | IN | MM | IN |

| | | | | | | | | | | | | | | | |
|------------|-----|-----|-------|------|-------|------|-----|-----|-----|------|--------|-------|--------|-------|--------|
| H2NG094GPD | 112 | 3.3 | 153.0 | 69.5 | 162.0 | 73.6 | N/A | N/A | N/A | 9.00 | 228.60 | 17.10 | 434.20 | 17.40 | 442.10 |
| H2NG094GPD | 112 | 3.3 | 153.0 | 69.5 | 162.0 | 73.6 | N/A | N/A | N/A | 9.00 | 228.60 | 17.10 | 434.20 | 17.40 | 442.10 |
| H2NG094GPD | 112 | 3.3 | 153.0 | 69.5 | 162.0 | 73.6 | N/A | N/A | N/A | 9.00 | 228.60 | 17.10 | 434.20 | 17.40 | 442.10 |
| H2NG094GPD | 112 | 3.3 | 153.0 | 69.5 | 162.0 | 73.6 | N/A | N/A | N/A | 9.00 | 228.60 | 17.10 | 434.20 | 17.40 | 442.10 |
| H2NG094GPE | 112 | 3.3 | 153.0 | 69.5 | 162.0 | 73.6 | N/A | N/A | N/A | 9.00 | 228.60 | 17.10 | 434.20 | 17.40 | 442.10 |
| H2NG094GPE | 112 | 3.3 | 153.0 | 69.5 | 162.0 | 73.6 | N/A | N/A | N/A | 9.00 | 228.60 | 17.10 | 434.20 | 17.40 | 442.10 |
| H2NG094GPE | 112 | 3.3 | 153.0 | 69.5 | 162.0 | 73.6 | N/A | N/A | N/A | 9.00 | 228.60 | 17.10 | 434.20 | 17.40 | 442.10 |
| H2NG094GPE | 112 | 3.3 | 153.0 | 69.5 | 162.0 | 73.6 | N/A | N/A | N/A | 9.00 | 228.60 | 17.10 | 434.20 | 17.40 | 442.10 |
| H2NG094GPE | 112 | 3.3 | 153.0 | 69.5 | 162.0 | 73.6 | N/A | N/A | N/A | 9.00 | 228.60 | 17.10 | 434.20 | 17.40 | 442.10 |
| H2NG094GPE | 112 | 3.3 | 153.0 | 69.5 | 162.0 | 73.6 | N/A | N/A | N/A | 9.00 | 228.60 | 17.10 | 434.20 | 17.40 | 442.10 |
| H2NG094GPF | 112 | 3.3 | 153.0 | 69.5 | 162.0 | 73.6 | N/A | N/A | N/A | 9.00 | 228.60 | 17.10 | 434.20 | 17.40 | 442.10 |
| H2NG094GPF | 112 | 3.3 | 153.0 | 69.5 | 162.0 | 73.6 | N/A | N/A | N/A | 9.00 | 228.60 | 17.10 | 434.20 | 17.40 | 442.10 |
| H2NG094GPF | 112 | 3.3 | 153.0 | 69.5 | 162.0 | 73.6 | N/A | N/A | N/A | 9.00 | 228.60 | 17.10 | 434.20 | 17.40 | 442.10 |
| H2NG094GPF | 112 | 3.3 | 153.0 | 69.5 | 162.0 | 73.6 | N/A | N/A | N/A | 9.00 | 228.60 | 17.10 | 434.20 | 17.40 | 442.10 |
| H2NG104GPD | 112 | 3.3 | 157.0 | 71.4 | 166.0 | 75.5 | N/A | N/A | N/A | 9.00 | 228.60 | 17.10 | 434.20 | 17.40 | 442.10 |
| H2NG104GPD | 112 | 3.3 | 157.0 | 71.4 | 166.0 | 75.5 | N/A | N/A | N/A | 9.00 | 228.60 | 17.10 | 434.20 | 17.40 | 442.10 |
| H2NG104GPD | 112 | 3.3 | 157.0 | 71.4 | 166.0 | 75.5 | N/A | N/A | N/A | 9.00 | 228.60 | 17.10 | 434.20 | 17.40 | 442.10 |
| H2NG104GPD | 112 | 3.3 | 157.0 | 71.4 | 166.0 | 75.5 | N/A | N/A | N/A | 9.00 | 228.60 | 17.10 | 434.20 | 17.40 | 442.10 |
| H2NG104GPD | 112 | 3.3 | 157.0 | 71.4 | 166.0 | 75.5 | N/A | N/A | N/A | 9.00 | 228.60 | 17.10 | 434.20 | 17.40 | 442.10 |
| H2NG104GPE | 112 | 3.3 | 157.0 | 71.4 | 166.0 | 75.5 | N/A | N/A | N/A | 9.00 | 228.60 | 17.10 | 434.20 | 17.40 | 442.10 |
| H2NG104GPE | 112 | 3.3 | 157.0 | 71.4 | 166.0 | 75.5 | N/A | N/A | N/A | 9.00 | 228.60 | 17.10 | 434.20 | 17.40 | 442.10 |
| H2NG104GPE | 112 | 3.3 | 157.0 | 71.4 | 166.0 | 75.5 | N/A | N/A | N/A | 9.00 | 228.60 | 17.10 | 434.20 | 17.40 | 442.10 |
| H2NG104GPE | 112 | 3.3 | 157.0 | 71.4 | 166.0 | 75.5 | N/A | N/A | N/A | 9.00 | 228.60 | 17.10 | 434.20 | 17.40 | 442.10 |
| H2NG104GPE | 112 | 3.3 | 157.0 | 71.4 | 166.0 | 75.5 | N/A | N/A | N/A | 9.00 | 228.60 | 17.10 | 434.20 | 17.40 | 442.10 |
| H2NG104GPE | 112 | 3.3 | 157.0 | 71.4 | 166.0 | 75.5 | N/A | N/A | N/A | 9.00 | 228.60 | 17.10 | 434.20 | 17.40 | 442.10 |
| H2NG104GPF | 112 | 3.3 | 157.0 | 71.4 | 166.0 | 75.5 | N/A | N/A | N/A | 9.00 | 228.60 | 17.10 | 434.20 | 17.40 | 442.10 |
| H2NG104GPF | 112 | 3.3 | 157.0 | 71.4 | 166.0 | 75.5 | N/A | N/A | N/A | 9.00 | 228.60 | 17.10 | 434.20 | 17.40 | 442.10 |
| H2NG104GPF | 112 | 3.3 | 157.0 | 71.4 | 166.0 | 75.5 | N/A | N/A | N/A | 9.00 | 228.60 | 17.10 | 434.20 | 17.40 | 442.10 |
| H2NG104GPF | 112 | 3.3 | 157.0 | 71.4 | 166.0 | 75.5 | N/A | N/A | N/A | 9.00 | 228.60 | 17.10 | 434.20 | 17.40 | 442.10 |
| H2NG124GPD | 112 | 3.3 | 165.0 | 75.0 | 174.0 | 79.1 | N/A | N/A | N/A | 9.00 | 228.60 | 17.80 | 453.20 | 18.20 | 461.20 |
| H2NG124GPD | 112 | 3.3 | 165.0 | 75.0 | 174.0 | 79.1 | N/A | N/A | N/A | 9.00 | 228.60 | 17.80 | 453.20 | 18.20 | 461.20 |
| H2NG124GPD | 112 | 3.3 | 165.0 | 75.0 | 174.0 | 79.1 | N/A | N/A | N/A | 9.00 | 228.60 | 17.80 | 453.20 | 18.20 | 461.20 |
| H2NG124GPD | 112 | 3.3 | 165.0 | 75.0 | 174.0 | 79.1 | N/A | N/A | N/A | 9.00 | 228.60 | 17.80 | 453.20 | 18.20 | 461.20 |
| H2NG124GPD | 112 | 3.3 | 165.0 | 75.0 | 174.0 | 79.1 | N/A | N/A | N/A | 9.00 | 228.60 | | | | |

H2NG SERIES

| Model | Volts Phase Hz | @45/130 | | | | | @45/100 | | | | | Electrical Data | | | Displacement | |
|--------------------------|----------------|----------|-------|-------------------|---------|-----|----------|-------------------|------|------|-----|-----------------|---------|---------|--------------|--|
| | | Capacity | | Motor Input WATTS | EER/COP | | Capacity | Motor Input WATTS | EER | RLA | LRA | MCC | IN3/REV | CM3/REV | | |
| | | BTU/H | WATTS | | BTU/WH | W/W | | | | | | | | | BTU/H | |
| H2NG SERIES (R22) | | | | | | | | | | | | | | | | |
| H2NG184GPE-2 | 380-415/3/50 | 147200 | 43192 | 14250 | 10.3 | 3.0 | 198109 | 11694 | 19.9 | 24.6 | 126 | 44 | 20.44 | 334.81 | | |
| H2NG184GPF-1 | 575/3/60 | 80240 | 23544 | 8630 | 9.3 | 2.7 | 115330 | 6697 | 17.2 | 10.3 | 36 | | | | | |
| H2NG184GPF-2 | 575/3/60 | 183200 | 53755 | 17740 | 10.3 | 3.0 | 245314 | 14480 | 16.9 | 20.5 | 100 | 35.2 | 20.44 | 334.79 | | |
| H2NG184GPF-1 | 500/3/50 | 66025 | 19373 | 7310 | 9.0 | 2.6 | 90293 | 5535 | 16.3 | 38 | 10 | | | | | |
| H2NG184GPF-2 | 500/3/50 | 147200 | 43192 | 14250 | 10.3 | 3.0 | 198109 | 11694 | 16.9 | 104 | 21 | 35.2 | 20.44 | 334.79 | | |
| H2NG204GPD-1 | 208-230-3-60 | 97200 | 28521 | 10125 | 9.6 | 2.8 | 134534 | 7854 | 17.1 | 30 | 108 | | | | | |
| H2NG204GPD-2 | 208-230-3-60 | 212400 | 62323 | 20870 | 10.2 | 3.0 | 277888 | 17309 | 16.1 | 60 | 300 | 98 | 23.26 | 380.98 | | |
| H2NG204GPD-1 | 200-220/3/50 | 80140 | 23515 | 8490 | 9.4 | 2.8 | 106557 | 6518 | 16.3 | 31 | 116 | | | | | |
| H2NG204GPD-2 | 200-220/3/50 | 173680 | 50961 | 16670 | 10.4 | 3.0 | 227893 | 13940 | 16.3 | 62 | 316 | 98 | 23.26 | 381 | | |
| H2NG204GPE-1 | 460/3/60 | 97200 | 28521 | 10125 | 9.6 | 2.8 | 134188 | 7855 | 17.1 | 15 | 54 | | | | | |
| H2NG204GPE-2 | 460/3/60 | 212400 | 62323 | 20870 | 10.2 | 3.0 | 277886 | 17314 | 16 | 24 | 120 | 39.2 | 23.26 | 380.98 | | |
| H2NG204GPE-1 | 380-415/3/50 | 80140 | 23515 | 8490 | 9.4 | 2.8 | 106286 | 6519 | 16.3 | 16.4 | 55 | | | | | |
| H2NG204GPE-2 | 380-415/3/50 | 173680 | 50961 | 16770 | 10.4 | 3.0 | 227893 | 13940 | 16.3 | 38.9 | 150 | 49 | 23.26 | 381 | | |
| H2NG204GPF-1 | 575/3/60 | 97200 | 28521 | 10125 | 9.6 | 2.8 | 134188 | 7855 | 17.1 | 12 | 44 | | | | | |
| H2NG204GPF-2 | 575/3/60 | 212400 | 62323 | 20870 | 10.2 | 3.0 | 277886 | 17314 | 16.0 | 24 | 120 | 39.2 | 23.26 | 380.98 | | |
| H2NG204GPF-1 | 500/3/50 | 80140 | 23515 | 8490 | 9.4 | 2.8 | 106286 | 6519 | 16.3 | 46 | 12 | | | | | |
| H2NG204GPF-2 | 500/3/50 | 173680 | 50961 | 16770 | 10.4 | 3.0 | 227893 | 13940 | 16.3 | 125 | 25 | 39.2 | 23.26 | 380.98 | | |
| H2NG244GPD-1 | 208-230-3-60 | 114500 | 33597 | 11800 | 9.7 | 2.8 | 158494 | 9351 | 16.9 | 36.5 | 124 | | | | | |
| H2NG244GPD-2 | 208-230-3-60 | 252900 | 74206 | 25400 | 10.0 | 2.9 | 325806 | 21277 | 15.3 | 73.1 | 362 | 124 | 26.79 | 438.82 | | |
| H2NG244GPD-1 | 200-220/3/50 | 88000 | 25821 | 10180 | 8.6 | 2.5 | 117569 | 7959 | 14.8 | 37.5 | 133 | | | | | |
| H2NG244GPD-2 | 200-220/3/50 | 199850 | 58640 | 20220 | 9.9 | 2.9 | 257091 | 16889 | 15.2 | 75 | 400 | 124 | 26.79 | 438.82 | | |
| H2NG244GPE-1 | 460/3/60 | 114500 | 33597 | 11800 | 9.7 | 2.8 | 158529 | 9337 | 17.0 | 18.3 | 62 | | | | | |
| H2NG244GPE-2 | 460/3/60 | 252900 | 74206 | 25400 | 10.0 | 2.9 | 325824 | 21284 | 15.3 | 29.3 | 145 | 54.2 | 26.79 | 438.8 | | |
| H2NG244GPE-1 | 380-415/3/50 | 88000 | 25821 | 10180 | 8.6 | 2.5 | 117569 | 7959 | 14.8 | 19.6 | 63 | | | | | |
| H2NG244GPE-2 | 380-415/3/50 | 199850 | 58640 | 20220 | 9.9 | 2.9 | 257091 | 16889 | 15.2 | 35.2 | 188 | 62 | 26.79 | 438.82 | | |
| H2NG244GPF-1 | 575/3/60 | 114500 | 33597 | 11800 | 9.7 | 2.8 | 158529 | 9337 | 17.0 | 14.7 | 50 | | | | | |
| H2NG244GPF-2 | 575/3/60 | 252900 | 74206 | 25400 | 10.0 | 2.9 | 325824 | 21284 | 15.3 | 29.3 | 145 | 54.2 | 26.79 | 438.8 | | |
| H2NG244GPF-1 | 500/3/50 | 88000 | 25821 | 10180 | 8.6 | 2.5 | 117569 | 7959 | 14.8 | 52 | 14 | | | | | |
| H2NG244GPF-2 | 500/3/50 | 199850 | 58640 | 20220 | 9.9 | 2.9 | 257091 | 16889 | 15.2 | 151 | 30 | 54.2 | 26.8 | 439 | | |

Data Subject to Revision

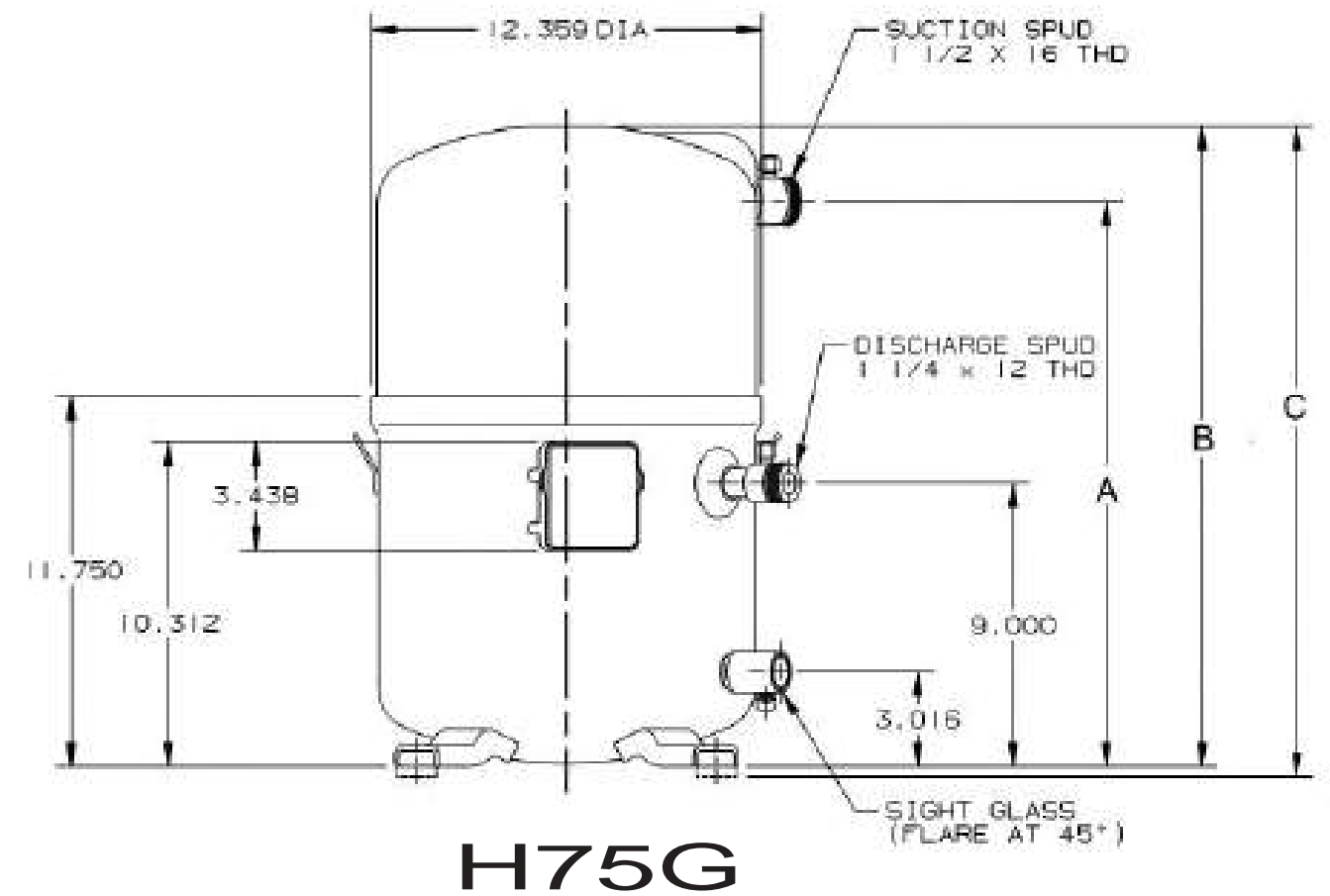
| Model | Oil Charge | | Weight Net Ship | | | | ELECTRICAL START COMPONENTS | | | DIMENSIONS | | | | | |
|------------|------------|-----|-----------------|-------|-------|-------|-----------------------------|-----------------|-------|------------|--------|-------|--------|-------|--------|
| | | | | | | | Run Capacitor | Start Capacitor | G.E. | A | | B | | C | |
| | OZ | L | Lbs | Kg | Lbs | Kg | MFD/VOLTS | MFD/VOLTS | Relay | IN | MM | IN | MM | IN | MM |
| H2NG184GPE | 256 | 7.6 | 241.0 | 109.5 | 252.0 | 114.5 | N/A | N/A | N/A | 11.80 | 299.50 | 21.80 | 552.00 | 22.40 | 568.80 |
| H2NG184GPF | 256 | 7.6 | 241.0 | 109.5 | 253.0 | 115.0 | N/A | N/A | N/A | 11.80 | 299.50 | 21.80 | 552.00 | 22.40 | 568.80 |
| H2NG184GPF | 256 | 7.6 | 241.0 | 109.5 | 253.0 | 115.0 | N/A | N/A | N/A | 11.80 | 299.50 | 21.80 | 552.00 | 22.40 | 568.80 |
| H2NG184GPF | 256 | 7.6 | 241.0 | 109.5 | 252.0 | 114.5 | N/A | N/A | N/A | 11.80 | 299.50 | 21.80 | 552.00 | 22.40 | 568.80 |
| H2NG184GPF | 256 | 7.6 | 241.0 | 109.5 | 253.0 | 115.0 | N/A | N/A | N/A | 11.80 | 299.50 | 21.80 | 552.00 | 22.40 | 568.80 |
| H2NG204GPD | 256 | 7.6 | 248.0 | 112.7 | 259.0 | 117.7 | N/A | N/A | N/A | 11.80 | 299.50 | 21.80 | 552.00 | 22.40 | 568.80 |
| H2NG204GPD | 256 | 7.6 | 248.0 | 112.7 | 259.0 | 117.7 | N/A | N/A | N/A | 11.80 | 299.50 | 21.80 | 552.00 | 22.40 | 568.80 |
| H2NG204GPD | 256 | 7.6 | 248.0 | 112.7 | 259.0 | 117.7 | N/A | N/A | N/A | 11.80 | 299.50 | 21.80 | 552.00 | 22.40 | 568.80 |
| H2NG204GPD | 256 | 7.6 | 248.0 | 112.7 | 259.0 | 117.7 | N/A | N/A | N/A | 11.80 | 299.50 | 21.80 | 552.00 | 22.40 | 568.80 |
| H2NG204GPE | 256 | 7.6 | 248.0 | 112.7 | 259.0 | 117.7 | N/A | N/A | N/A | 11.80 | 299.50 | 21.80 | 552.00 | 22.40 | 568.80 |
| H2NG204GPE | 256 | 7.6 | 248.0 | 112.7 | 260.0 | 118.2 | N/A | N/A | N/A | 11.80 | 299.50 | 21.80 | 552.00 | 22.40 | 568.80 |
| H2NG204GPE | 224 | 6.6 | 248.0 | 112.7 | 259.0 | 117.7 | N/A | N/A | N/A | 11.80 | 299.50 | 21.80 | 552.00 | 22.40 | 568.80 |
| H2NG204GPE | 256 | 7.6 | 248.0 | 112.7 | 259.0 | 117.7 | N/A | N/A | N/A | 11.80 | 299.50 | 21.80 | 552.00 | 22.40 | 568.80 |
| H2NG204GPF | 256 | 7.6 | 248.0 | 112.7 | 260.0 | 118.2 | N/A | N/A | N/A | 11.80 | 299.50 | 21.80 | 552.00 | 22.40 | 568.80 |
| H2NG204GPF | 256 | 7.6 | 248.0 | 112.7 | 260.0 | 118.2 | N/A | N/A | N/A | 11.80 | 299.50 | 21.80 | 552.00 | 22.40 | 568.80 |
| H2NG204GPF | 256 | 7.6 | 248.0 | 112.7 | 260.0 | 118.2 | N/A | N/A | N/A | 11.80 | 299.50 | 21.80 | 552.00 | 22.40 | 568.80 |
| H2NG204GPF | 256 | 7.6 | 248.0 | 112.7 | 260.0 | 118.2 | N/A | N/A | N/A | 11.80 | 299.50 | 21.80 | 552.00 | 22.40 | 568.80 |
| H2NG244GPD | 256 | 7.6 | 257.0 | 116.8 | 272.0 | 123.6 | N/A | N/A | N/A | 11.80 | 299.50 | 21.80 | 552.00 | 22.40 | 568.80 |
| H2NG244GPD | 256 | 7.6 | 257.0 | 116.8 | 272.0 | 123.6 | N/A | N/A | N/A | 11.80 | 299.50 | 21.80 | 552.00 | 22.40 | 568.80 |
| H2NG244GPD | 256 | 7.6 | 257.0 | 116.8 | 272.0 | 123.6 | N/A | N/A | N/A | 11.80 | 299.50 | 21.80 | 552.00 | 22.40 | 568.80 |
| H2NG244GPD | 256 | 7.6 | 257.0 | 116.8 | 272.0 | 123.6 | N/A | N/A | N/A | 11.80 | 299.50 | 21.80 | 552.00 | 22.40 | 568.80 |
| H2NG244GPE | 256 | 7.6 | 257.0 | 116.8 | 272.0 | 123.6 | N/A | N/A | N/A | 11.80 | 299.50 | 21.80 | 552.00 | 22.40 | 568.80 |
| H2NG244GPE | 256 | 7.6 | 257.0 | 116.8 | 272.0 | 123.6 | N/A | N/A | N/A | 11.80 | 299.50 | 21.80 | 552.00 | 22.40 | 568.80 |
| H2NG244GPE | 256 | 7.6 | 257.0 | 116.8 | 272.0 | 123.6 | N/A | N/A | N/A | 11.80 | 299.50 | 21.80 | 552.00 | 22.40 | 568.80 |
| H2NG244GPE | 256 | 7.6 | 257.0 | 116.8 | 272.0 | 123.6 | N/A | N/A | N/A | 11.80 | 299.50 | 21.80 | 552.00 | 22.40 | 568.80 |
| H2NG244GPE | 256 | 7.6 | 257.0 | 116.8 | 272.0 | 123.6 | N/A | N/A | N/A | 11.80 | 299.50 | 21.80 | 552.00 | 22.40 | 568.80 |
| H2NG244GPF | 256 | 7.6 | 257.0 | 116.8 | 272.0 | 123.6 | N/A | N/A | N/A | 11.80 | 299.50 | 21.80 | 552.00 | 22.40 | 568.80 |
| H2NG244GPF | 256 | 7.6 | 257.0 | 116.8 | 272.0 | 123.6 | N/A | N/A | N/A | 11.80 | 299.50 | 21.80 | 552.00 | 22.40 | 568.80 |
| H2NG244GPF | 256 | 7.6 | 257.0 | 116.8 | 272.0 | 123.6 | N/A | N/A | N/A | 11.80 | 299.50 | 21.80 | 552.00 | 22.40 | 568.80 |
| H2NG244GPF | 256 | 7.6 | 257.0 | 116.8 | 269.0 | 122.3 | N/A | N/A | N/A | 11.80 | 299.50 | 21.80 | 552.00 | 22.40 | 568.80 |

H75G SERIES

| Model | Volts Phase Hz | @45/130 | | | @45/100 | | | Electrical Data | | | Displacement | | | |
|----------------------------|----------------|----------|-------|-------------------|---------|-----|----------|-------------------|------|------|--------------|------|---------|---------|
| | | Capacity | | Motor Input WATTS | EER/COP | | Capacity | Motor Input WATTS | EER | RLA | LRA | MCC | IN3/REV | CM3/REV |
| | | BTU/H | WATTS | | BTU/WH | W/W | | | | | | | | |
| H75G SERIES (R407C) | | | | | | | | | | | | | | |
| H75G094DBE | 380-415/3/50 | 69900 | 20481 | 6490 | 10.8 | 3.2 | 108800 | 5460 | 19.9 | 12.6 | 95 | 20.5 | 10.22 | 167.45 |
| H75G094DBE | 460/3/60 | 83900 | 24583 | 7790 | 10.8 | 3.2 | 130600 | 6560 | 19.9 | 12.7 | 95 | 20.5 | 10.22 | 167.45 |
| H75G124DBE | 380-415/3/50 | 94300 | 27630 | 8520 | 11.1 | 3.3 | 139500 | 7060 | 19.8 | 17 | 130 | 33 | 12.61 | 206.61 |
| H75G124DBE | 460/3/60 | 113100 | 33138 | 10220 | 11.1 | 3.3 | 167400 | 8470 | 19.8 | 17 | 130 | 33 | 12.61 | 206.61 |
| H75G144DBD | 208-230-3-60 | 135000 | 39555 | 12920 | 10.5 | 3.1 | 206000 | 11240 | 18.3 | 43.1 | 252 | 69 | 15.05 | 246.58 |
| H75G144DBE | 380-415/3/50 | 112500 | 32963 | 10760 | 10.5 | 3.1 | 171700 | 9370 | 18.3 | 21.6 | 126 | 34.5 | 15.05 | 246.58 |
| H75G144DBE | 460/3/60 | 135000 | 39555 | 12920 | 10.5 | 3.1 | 206000 | 11240 | 18.3 | 21.6 | 126 | 34.5 | 15.05 | 246.58 |

Data Subject to Revision

| Model | Oil Charge | Weight | | | | | ELECTRICAL START COMPONENTS | | | DIMENSIONS | | | | | |
|------------|------------|--------|-------|------|-------|------|-----------------------------|-----------------|------|------------|--------|-----------|-----------|-------|--------|
| | | OZ | L | Net | | Ship | Run Capacitor | Start Capacitor | G.E. | A | | B | | C | |
| | | | | Lbs | Kg | | | | | Lbs | Kg | MFD/VOLTS | MFD/VOLTS | Relay | IN |
| H75G094DBE | 96 | 2.8 | 146.0 | 66.2 | 155.0 | 70.3 | N/A | N/A | N/A | 15.96 | 405.38 | 18.34 | 465.84 | 18.65 | 473.71 |
| H75G094DBE | 96 | 2.8 | 146.0 | 66.2 | 155.0 | 70.3 | N/A | N/A | N/A | 15.96 | 405.38 | 18.34 | 465.84 | 18.65 | 473.71 |
| H75G124DBE | 96 | 2.8 | 164.0 | 74.4 | 173.0 | 78.5 | N/A | N/A | N/A | 17.95 | 455.93 | 20.33 | 516.38 | 20.65 | 524.51 |
| H75G124DBE | 96 | 2.8 | 164.0 | 74.4 | 173.0 | 78.5 | N/A | N/A | N/A | 17.95 | 455.93 | 20.33 | 516.38 | 20.65 | 524.51 |
| H75G144DBD | 96 | 2.8 | 167.0 | 75.7 | 176.0 | 79.8 | N/A | N/A | N/A | 18.20 | 462.28 | 20.58 | 522.73 | 20.89 | 530.61 |
| H75G144DBE | 96 | 2.8 | 167.0 | 75.7 | 176.0 | 79.8 | N/A | N/A | N/A | 18.20 | 462.28 | 20.58 | 522.73 | 20.89 | 530.61 |
| H75G144DBE | 96 | 2.8 | 167.0 | 75.7 | 176.0 | 79.8 | N/A | N/A | N/A | 18.20 | 462.28 | 20.58 | 522.73 | 20.89 | 530.61 |

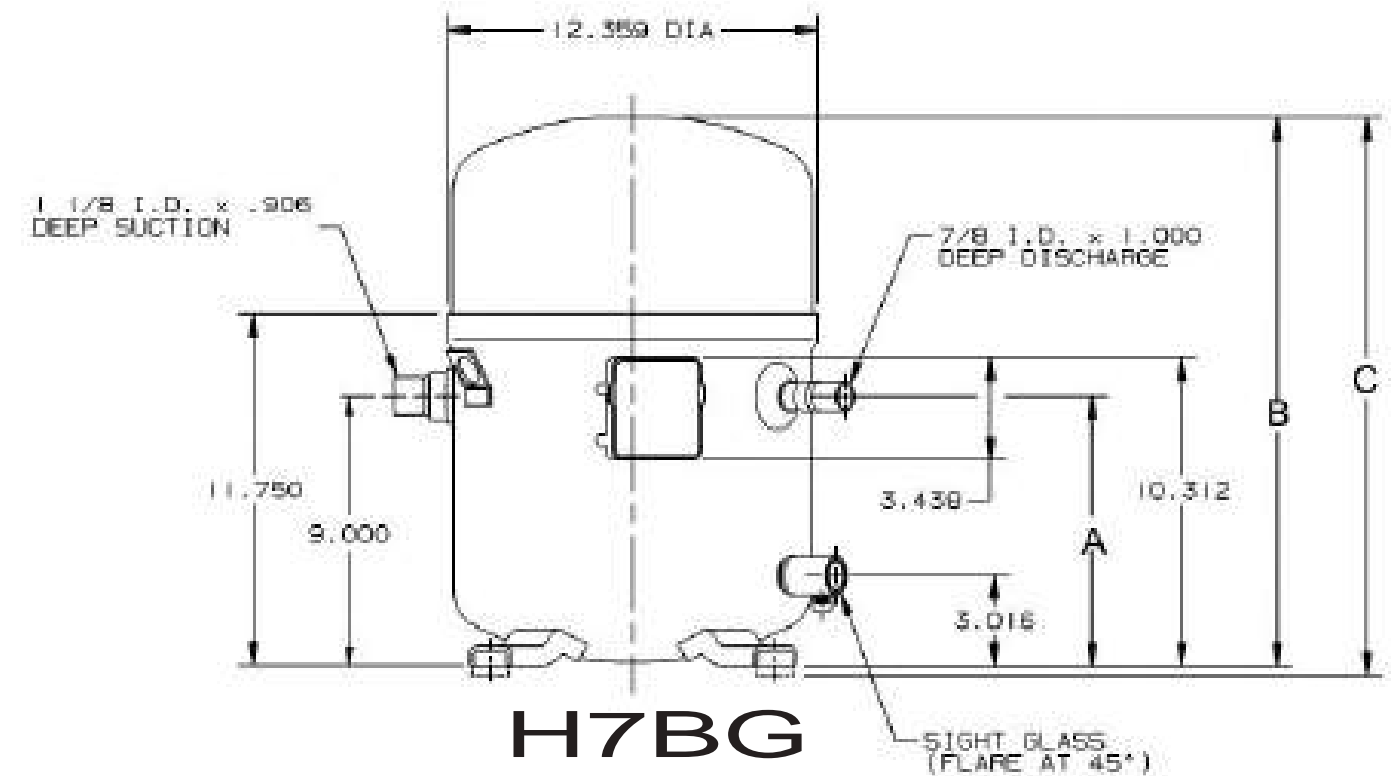


H7BG SERIES

| Model | Volts Phase Hz | @45/130 | | | | | @45/100 | | | | | Electrical Data | | | Displacement | |
|----------------------------|----------------|----------|-------|-------------------|---------|-----|----------|--------|-------------------|------|-----|-----------------|-------|---------|--------------|--|
| | | Capacity | | Motor Input WATTS | EER/COP | | Capacity | | Motor Input WATTS | EER | RLA | LRA | MCC | IN3/REV | CM3/REV | |
| | | BTU/H | WATTS | | BTU/WH | W/W | BTU/H | BTU/WH | | | | | | | | |
| H7BG SERIES (R407C) | | | | | | | | | | | | | | | | |
| H7BG094DBD | 200-220/3/50 | 69900 | 20481 | 6490 | 10.8 | 3.2 | 108800 | 5460 | 19.9 | 23.7 | 145 | 34.5 | 10.22 | 167.45 | | |
| H7BG094DBD | 208-230-3-60 | 83900 | 24583 | 7790 | 10.8 | 3.2 | 130600 | 6560 | 19.9 | 24 | 145 | 40 | 10.22 | 167.45 | | |
| H7BG094DBE | 380-415/3/50 | 69900 | 20481 | 6490 | 10.8 | 3.2 | 108800 | 5460 | 19.9 | 12 | 72 | 18 | 10.22 | 167.45 | | |
| H7BG094DBE | 460/3/60 | 83900 | 24583 | 7790 | 10.8 | 3.2 | 130600 | 6560 | 19.9 | 12.3 | 72 | 19 | 10.22 | 167.45 | | |
| H7BG104DBD | 200-220/3/50 | 78300 | 22942 | 7440 | 10.5 | 3.1 | 119700 | 6350 | 18.8 | 29 | 170 | 42.6 | 11.63 | 190.55 | | |
| H7BG104DBD | 208-230-3-60 | 96400 | 28245 | 9150 | 10.5 | 3.1 | 136600 | 7630 | 17.9 | 29.3 | 166 | 45 | 11.63 | 190.55 | | |
| H7BG104DBE | 380-415/3/50 | 81700 | 23938 | 7780 | 10.5 | 3.1 | 123500 | 6360 | 19.4 | 14.2 | 77 | 20.2 | 11.63 | 190.55 | | |
| H7BG104DBE | 460/3/60 | 98000 | 28714 | 9340 | 10.5 | 3.1 | 148300 | 7640 | 19.4 | 14.6 | 87 | 22 | 11.63 | 190.55 | | |
| H7BG124DBD | 200-220/3/50 | 92800 | 27190 | 9060 | 10.2 | 3.0 | 136300 | 7730 | 17.6 | 36 | 215 | 51 | 13.4 | 219.55 | | |
| H7BG124DBD | 208-230-3-60 | 112800 | 33050 | 10980 | 10.3 | 3.0 | 163600 | 9400 | 17.4 | 36 | 205 | 56 | 13.4 | 219.55 | | |
| H7BG124DBE | 380-415/3/50 | 95300 | 27923 | 9380 | 10.2 | 3.0 | 144100 | 7750 | 18.6 | 16.5 | 80 | 25 | 13.4 | 219.55 | | |

Data Subject to Revision

| Model | Oil Charge | Weight | | | | | ELECTRICAL START COMPONENTS | | | DIMENSIONS | | | | | |
|------------|------------|--------|-------|------|-------|------|-----------------------------|-----------------|------|------------|--------|-----------|-----------|-------|--------|
| | | OZ | L | Net | | Ship | Run Capacitor | Start Capacitor | G.E. | A | | B | | C | |
| | | | | Lbs | Kg | | | | | Lbs | Kg | MFD/VOLTS | MFD/VOLTS | Relay | IN |
| H7BG094DBD | 96 | 2.8 | 128.0 | 58.1 | 138.0 | 62.6 | N/A | N/A | N/A | 9.00 | 228.60 | 17.59 | 446.79 | 17.90 | 454.66 |
| H7BG094DBD | 96 | 2.8 | 128.0 | 58.1 | 138.0 | 62.6 | N/A | N/A | N/A | 9.00 | 228.60 | 17.59 | 446.79 | 17.90 | 454.66 |
| H7BG094DBE | 96 | 2.8 | 128.0 | 58.1 | 138.0 | 62.6 | N/A | N/A | N/A | 9.00 | 228.60 | 17.59 | 446.79 | 17.90 | 454.66 |
| H7BG094DBE | 96 | 2.8 | 128.0 | 58.1 | 138.0 | 62.6 | N/A | N/A | N/A | 9.00 | 228.60 | 17.59 | 446.79 | 17.90 | 454.66 |
| H7BG104DBD | 96 | 2.8 | 144.0 | 65.3 | 153.0 | 69.4 | N/A | N/A | N/A | 9.00 | 228.60 | 18.34 | 465.84 | 18.65 | 473.71 |
| H7BG104DBD | 96 | 2.8 | 144.0 | 65.3 | 153.0 | 69.4 | N/A | N/A | N/A | 9.00 | 228.60 | 18.34 | 465.84 | 18.65 | 473.71 |
| H7BG104DBE | 96 | 2.8 | 144.0 | 65.3 | 153.0 | 69.4 | N/A | N/A | N/A | 9.00 | 228.60 | 18.34 | 465.84 | 18.65 | 473.71 |
| H7BG104DBE | 96 | 2.8 | 144.0 | 65.3 | 153.0 | 69.4 | N/A | N/A | N/A | 9.00 | 228.60 | 18.34 | 465.84 | 18.65 | 473.71 |
| H7BG124DBD | 96 | 2.8 | 146.0 | 66.2 | 155.0 | 70.3 | N/A | N/A | N/A | 9.00 | 228.60 | 18.34 | 465.84 | 18.65 | 473.71 |
| H7BG124DBD | 96 | 2.8 | 146.0 | 66.2 | 155.0 | 70.3 | N/A | N/A | N/A | 9.00 | 228.60 | 18.34 | 465.84 | 18.65 | 473.71 |
| H7BG124DBE | 96 | 2.8 | 146.0 | 66.2 | 155.0 | 70.3 | N/A | N/A | N/A | 9.00 | 228.60 | 18.34 | 465.84 | 18.65 | 473.71 |

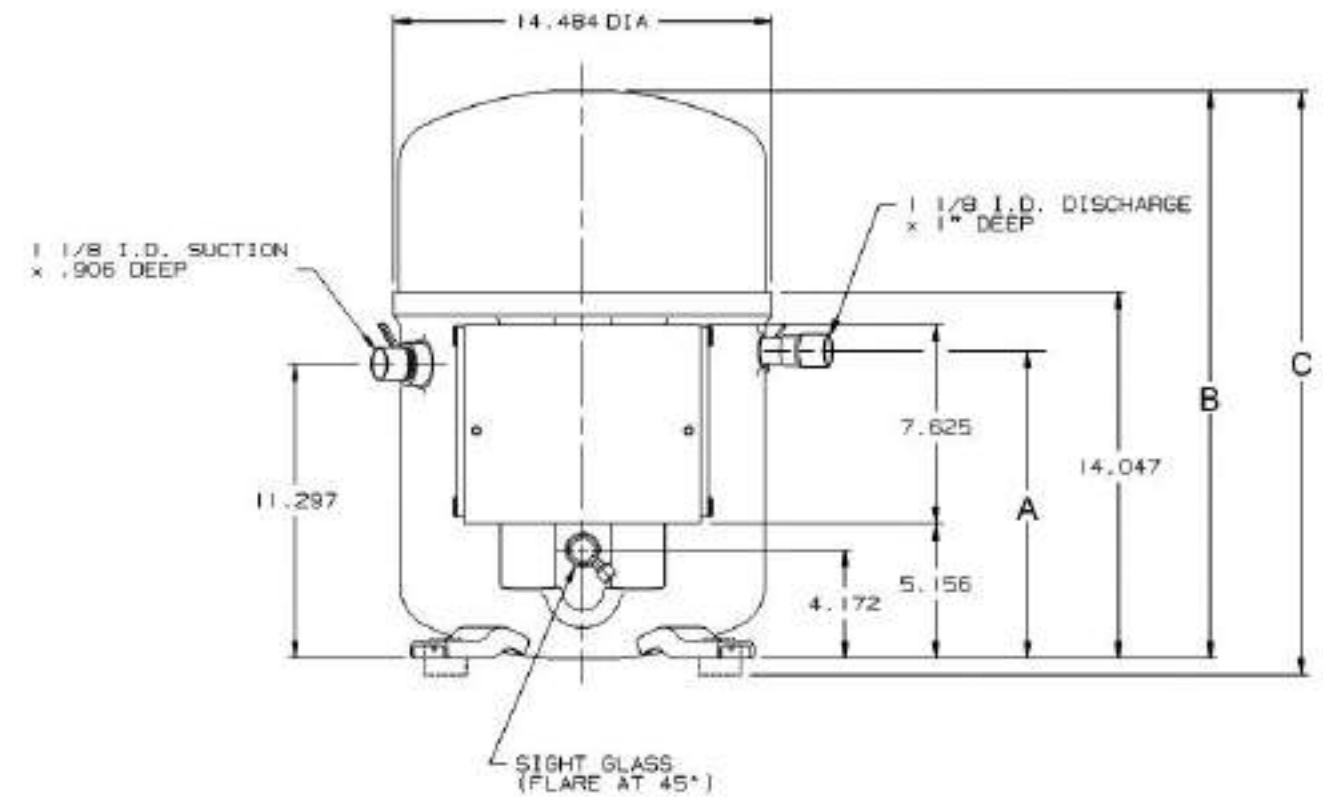


H7NG SERIES

| Model | Volts Phase Hz | @45/130 | | | | | @45/100 | | | | | Electrical Data | | | Displacement | |
|----------------------------|----------------|----------|-------|-------------------|---------|-----|----------|-------------------|------|------|-----|-----------------|---------|---------|--------------|--------|
| | | Capacity | | Motor Input WATTS | EER/COP | | Capacity | Motor Input WATTS | EER | RLA | LRA | MCC | IN3/REV | CM3/REV | | |
| | | BTU/H | WATTS | | BTU/WH | W/W | | | | | | | | | BTU/H | BTU/WH |
| H7NG SERIES (R407C) | | | | | | | | | | | | | | | | |
| H7NG184DPD | 200-220/3/50 | 144800 | 42426 | 13300 | 10.9 | 3.2 | 22400 | 10900 | 20.2 | 51.8 | 265 | 80 | 20.44 | 334.89 | | |
| H7NG184DPD | 208-230-3-60 | 173800 | 50923 | 15960 | 10.9 | 3.2 | 264400 | 13080 | 20.2 | 51.8 | 234 | 80 | 20.44 | 334.89 | | |
| H7NG184DPE | 380-415/3/50 | 144800 | 42426 | 13300 | 10.9 | 3.2 | 220400 | 10900 | 20.3 | 26 | 125 | 40 | 20.44 | 334.89 | | |
| H7NG184DPE | 460/3/60 | 173800 | 50923 | 15960 | 10.9 | 3.2 | 264400 | 13080 | 20.2 | 25.9 | 117 | 40 | 20.44 | 334.89 | | |
| H7NG204DRE | 380-415/3/50 | 166300 | 48726 | 15540 | 10.7 | 3.1 | 252100 | 12840 | 19.6 | 30 | 150 | 49 | 23.26 | 381.10 | | |
| H7NG204DRE | 460-3-60 | 199600 | 58483 | 18650 | 10.7 | 3.1 | 302500 | 15400 | 19.6 | 30 | 141 | 49 | 23.26 | 381.10 | | |
| H7NG204FRD | 200-220/3/50 | 161200 | 47232 | 15300 | 10.5 | 3.1 | 244600 | 13050 | 18.8 | 62 | 0 | 98 | 23.26 | 381.10 | | |
| H7NG204FRD | 208-230-3-60 | 197200 | 57780 | 19000 | 10.4 | 3.0 | 287000 | 16160 | 17.8 | 60 | 0 | 98 | 23.26 | 381.10 | | |
| H7NG244DRE | 380-415/3/50 | 195200 | 57194 | 18670 | 10.5 | 3.1 | 287000 | 15670 | 18.3 | 36.5 | 190 | 56 | 26.8 | 439.10 | | |
| H7NG244DRE | 460/3/60 | 234200 | 68621 | 22400 | 10.5 | 3.1 | 344500 | 18800 | 18.3 | 36.6 | 180 | 56 | 26.8 | 439.10 | | |
| H7NG244FRD | 200-220/3/50 | 195200 | 57194 | 18670 | 10.5 | 3.1 | 287000 | 15670 | 18.3 | 75 | 400 | 112 | 26.8 | 439.10 | | |
| H7NG244FRD | 208-230-3-60 | 234200 | 68621 | 22400 | 10.5 | 3.1 | 344500 | 18800 | 18.3 | 73.1 | 360 | 112 | 26.8 | 439.10 | | |
| H7NG294DPE | 380-415/3/50 | 222400 | 65163 | 23090 | 9.6 | 2.8 | 317300 | 20240 | 15.7 | 44 | 215 | 69 | 31.02 | 508.24 | | |
| H7NG294DPE | 460/3/60 | 266800 | 78172 | 27710 | 9.6 | 2.8 | 380800 | 24290 | 15.7 | 43.9 | 200 | 69 | 31.02 | 508.24 | | |
| H7NG294DPF | 575/3/60 | 266800 | 78172 | 27710 | 9.6 | 2.8 | 380800 | 24290 | 15.7 | 35.1 | 160 | 55 | 31.02 | 508.24 | | |
| H7NG294FPD | 200-220/3/50 | 220900 | 64724 | 23090 | 9.6 | 2.8 | 326500 | 19860 | 16.4 | 90.5 | 0 | 138 | 31.02 | 508.24 | | |
| H7NG294FPD | 208-230-3-60 | 266800 | 78172 | 27710 | 9.6 | 2.8 | 380800 | 24290 | 15.7 | 87.7 | 0 | 138 | 31.02 | 508.24 | | |

Data Subject to Revision

| Model | Oil Charge | | Weight Net Ship | | | | ELECTRICAL START COMPONENTS | | | DIMENSIONS | | | | | |
|------------|------------|-----|-----------------|-------|-------|-------|-----------------------------|-----------------|-------|------------|--------|-------|--------|-------|--------|
| | | | | | | | Run Capacitor | Start Capacitor | G.E. | A | | B | | C | |
| | OZ | L | Lbs | Kg | Lbs | Kg | MFD/VOLTS | MFD/VOLTS | Relay | IN | MM | IN | MM | IN | MM |
| H7NG184DPD | 224 | 6.6 | 241.0 | 109.3 | 253.0 | 114.8 | N/A | N/A | N/A | 11.79 | 299.47 | 21.75 | 552.45 | 22.40 | 568.96 |
| H7NG184DPD | 224 | 6.6 | 241.0 | 109.3 | 253.0 | 114.8 | N/A | N/A | N/A | 11.79 | 299.47 | 21.75 | 552.45 | 22.40 | 568.96 |
| H7NG184DPE | 224 | 6.6 | 241.0 | 109.3 | 253.0 | 114.8 | N/A | N/A | N/A | 11.79 | 299.47 | 21.75 | 552.45 | 22.40 | 568.96 |
| H7NG184DPE | 224 | 6.6 | 241.0 | 109.3 | 253.0 | 114.8 | N/A | N/A | N/A | 11.79 | 299.47 | 21.75 | 552.45 | 22.40 | 568.96 |
| H7NG204DRE | 224 | 6.6 | 248.0 | 112.5 | 260.0 | 117.9 | N/A | N/A | N/A | 11.79 | 299.47 | 21.75 | 552.45 | 22.40 | 568.96 |
| H7NG204DRE | 224 | 6.6 | 248.0 | 112.5 | 260.0 | 117.9 | N/A | N/A | N/A | 11.79 | 299.47 | 21.75 | 552.45 | 22.40 | 568.96 |
| H7NG204FRD | 224 | 6.6 | 248.0 | 112.5 | 260.0 | 117.9 | N/A | N/A | N/A | 11.79 | 299.47 | 21.75 | 552.45 | 22.40 | 568.96 |
| H7NG204FRD | 224 | 6.6 | 248.0 | 112.5 | 260.0 | 117.9 | N/A | N/A | N/A | 11.79 | 299.47 | 21.75 | 552.45 | 22.40 | 568.96 |
| H7NG244DRE | 224 | 6.6 | 257.0 | 116.6 | 269.0 | 122.0 | N/A | N/A | N/A | 11.79 | 299.47 | 21.75 | 552.45 | 22.40 | 568.96 |
| H7NG244DRE | 224 | 6.6 | 257.0 | 116.6 | 269.0 | 122.0 | N/A | N/A | N/A | 11.79 | 299.47 | 21.75 | 552.45 | 22.40 | 568.96 |
| H7NG244FRD | 224 | 6.6 | 257.0 | 116.6 | 269.0 | 122.0 | N/A | N/A | N/A | 11.79 | 299.47 | 21.75 | 552.45 | 22.40 | 568.96 |
| H7NG244FRD | 224 | 6.6 | 257.0 | 116.6 | 269.0 | 122.0 | N/A | N/A | N/A | 11.79 | 299.47 | 21.75 | 552.45 | 22.40 | 568.96 |
| H7NG294DPE | 224 | 6.6 | 268.0 | 121.6 | 280.0 | 127.0 | N/A | N/A | N/A | 11.79 | 299.47 | 21.75 | 552.45 | 22.40 | 568.96 |
| H7NG294DPE | 224 | 6.6 | 268.0 | 121.6 | 280.0 | 127.0 | N/A | N/A | N/A | 11.79 | 299.47 | 21.75 | 552.45 | 22.40 | 568.96 |
| H7NG294DPF | 224 | 6.6 | 268.0 | 121.6 | 280.0 | 127.0 | N/A | N/A | N/A | 11.79 | 299.47 | 21.75 | 552.45 | 22.40 | 568.96 |
| H7NG294FPD | 224 | 6.6 | 268.0 | 121.6 | 280.0 | 127.0 | N/A | N/A | N/A | 11.79 | 299.47 | 21.75 | 552.45 | 22.40 | 568.96 |
| H7NG294FPD | 224 | 6.6 | 268.0 | 121.6 | 280.0 | 127.0 | N/A | N/A | N/A | 11.79 | 299.47 | 21.75 | 552.45 | 22.40 | 568.96 |



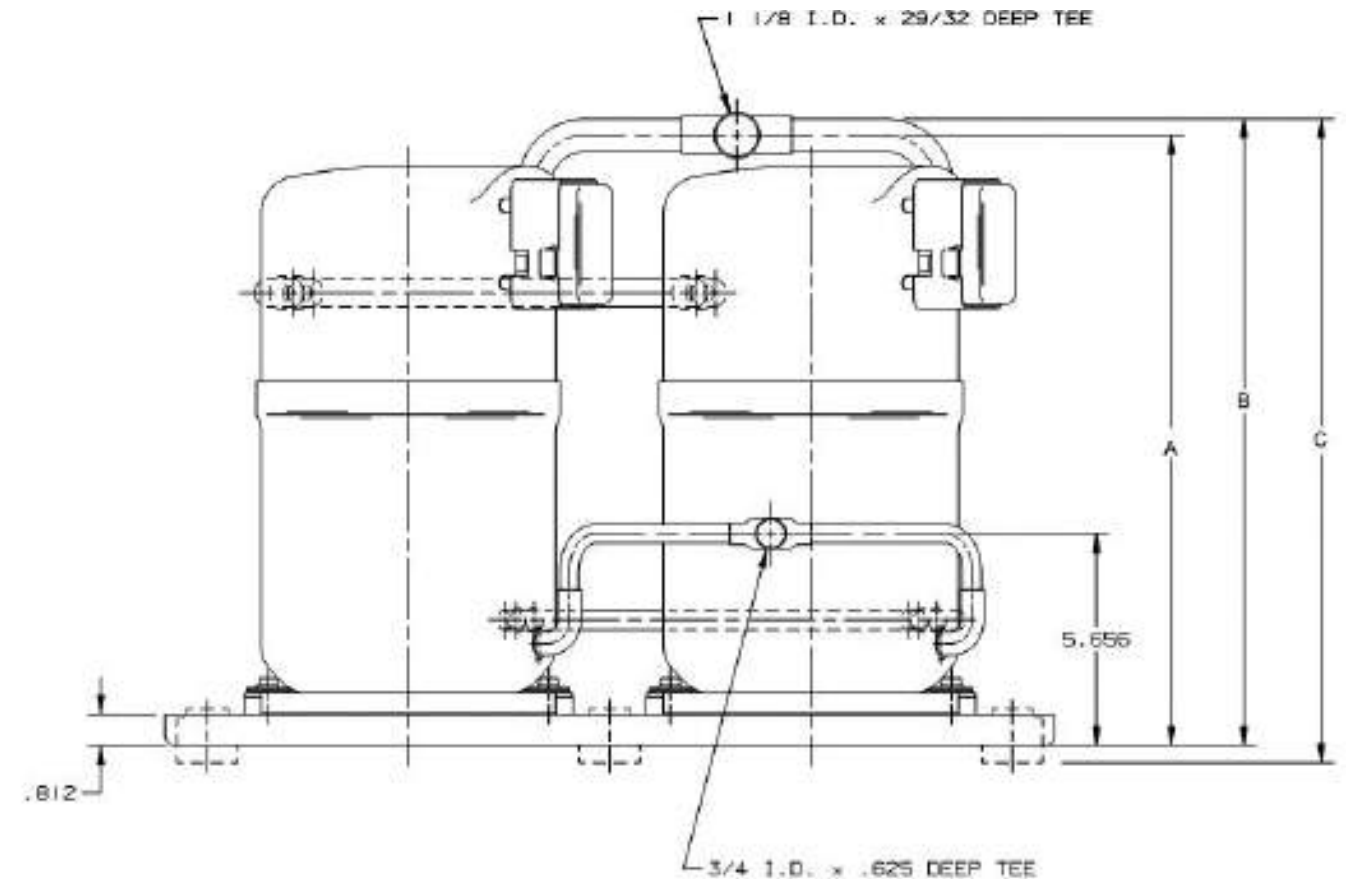
H7NG

H2DA SERIES

| Model | Volts Phase Hz | @45/130 | | | | @45/100 | | | | Electrical Data | | | Displacement | |
|--------------------------|----------------|----------|-------|-------------------|---------|---------|----------|-------------------|------|-----------------|-----|-----|--------------|---------|
| | | Capacity | | Motor Input WATTS | EER/COP | | Capacity | Motor Input WATTS | EER | RLA | LRA | MCC | IN3/REV | CM3/REV |
| | | BTU/H | WATTS | | BTU/WH | W/W | | | | | | | | |
| H2DA SERIES (R22) | | | | | | | | | | | | | | |
| H2DA763DBE | 380-415/3/50 | 62,800 | 18400 | 6090 | 10.3 | 3.0 | 81300 | 4940 | 16.5 | 10.4 | 78 | 19 | 4.021 | 69.89 |
| H2DA763DBL | 460/3/60 | 75,800 | 22209 | 7310 | 10.4 | 3.0 | 98200 | 5930 | 16.6 | 10.4 | 78 | 19 | 4.021 | 69.89 |
| H2DA843DBE | 460/3/60 | 84,400 | 24729 | 8260 | 10.2 | 3.0 | 107100 | 6960 | 15.4 | 11.6 | 78 | 19 | 4.505 | 73.82 |
| H2DA843DBF | 575/3/50 | 84,400 | 24729 | 8260 | 10.2 | 3.0 | 107100 | 6960 | 15.4 | 9.1 | 72 | 16 | 4.505 | 73.82 |
| H2DA843DBL | 200-230/3/60 | 84,400 | 24729 | 8260 | 10.2 | 3.0 | 107100 | 6960 | 15.4 | 23.5 | 156 | 40 | 4.505 | 73.92 |
| H2DA923DBE | 380-415/3/50 | 77,600 | 22736 | 7690 | 10.1 | 3.0 | 98600 | 6300 | 15.6 | 12.7 | 90 | 26 | 4.926 | 80.72 |
| H2DA923DBL | 460/3/60 | 92,700 | 27161 | 8920 | 10.4 | 3.0 | 117700 | 7340 | 16.0 | 12.6 | 90 | 26 | 4.926 | 80.72 |
| H2DA923DBL | 200-220/3/50 | 79,000 | 23147 | 7740 | 10.2 | 3.0 | 100400 | 6350 | 15.8 | 25.4 | 180 | 48 | 4.926 | 80.72 |
| H2DA923DBL | 200-230/3/60 | 92,700 | 27161 | 8920 | 10.4 | 3.0 | 117700 | 7340 | 16.0 | 25.2 | 180 | 48 | 4.926 | 80.72 |
| H2DA104DBE | 460/3/60 | 106,800 | 31292 | 10490 | 10.2 | 3.0 | 136800 | 8700 | 15.7 | 14.5 | 106 | 25 | 5.655 | 92.66 |
| H2DA104DBF | 575/3/50 | 106,800 | 31292 | 10490 | 10.2 | 3.0 | 136800 | 8700 | 15.7 | 11.6 | 86 | 18 | 5.655 | 92.66 |
| H2DA104DBL | 200-230/3/60 | 106,800 | 31292 | 10490 | 10.2 | 3.0 | 136800 | 8700 | 15.7 | 29 | 212 | 50 | 5.655 | 92.66 |
| H2DA114DBE | 380-415/3/50 | 95,000 | 27835 | 9120 | 10.4 | 3.0 | 121800 | 7540 | 16.2 | 14.9 | 124 | 28 | 5.818 | 95.33 |
| H2DA114DBE | 460/3/60 | 111,300 | 32611 | 10710 | 10.4 | 3.0 | 142600 | 8930 | 16.0 | 15.2 | 124 | 30 | 5.818 | 95.33 |
| H2DA124DBE | 380-415/3/50 | 103,600 | 30355 | 10060 | 10.3 | 3.0 | 133300 | 8330 | 16.0 | 16.5 | 124 | 32 | 6.308 | 103.36 |
| H2DA124DBE | 460/3/60 | 121,600 | 35629 | 11950 | 10.2 | 3.0 | 156400 | 9930 | 15.8 | 17 | 124 | 32 | 6.308 | 103.36 |
| H2DA124DBL | 200-220/3/50 | 104,600 | 30648 | 10260 | 10.2 | 3.0 | 134600 | 8490 | 15.8 | 36 | 248 | 64 | 6.308 | 103.36 |
| H2DA124DBL | 200-230/3/60 | 121,600 | 35629 | 11950 | 10.2 | 3.0 | 156.400 | 9930 | 15.8 | 34 | 248 | 64 | 6.308 | 103.36 |

Data Subject to Revision

| Model | Oil Charge | | Weight | | | | ELECTRICAL START COMPONENTS | | | DIMENSIONS | | | | | |
|------------|------------|-----|--------|------|-------|------|-----------------------------|---------------------------|------------|------------|--------|-------|--------|-------|--------|
| | OZ | L | Net | | Ship | | Run Capacitor MFD/VOLTS | Start Capacitor MFD/VOLTS | G.E. Relay | A | | B | | C | |
| | | | Lbs | Kg | Lbs | Kg | | | | IN | MM | IN | MM | IN | MM |
| H2DA763DBE | 100 | 3.0 | 157.0 | 71.2 | 172.0 | 78.0 | N/A | N/A | N/A | 16.28 | 413.51 | 16.72 | 424.68 | 17.19 | 487.42 |
| H2DA763DBL | 100 | 3.0 | 157.0 | 71.2 | 172.0 | 78.0 | N/A | N/A | N/A | 16.28 | 413.51 | 16.72 | 424.68 | 17.19 | 487.42 |
| H2DA843DBE | 110 | 3.3 | 157.0 | 71.2 | 172.0 | 78.0 | N/A | N/A | N/A | 16.28 | 413.51 | 16.72 | 424.68 | 18.19 | 462.02 |
| H2DA843DBF | 110 | 3.3 | 157.0 | 71.2 | 172.0 | 78.0 | N/A | N/A | N/A | 16.28 | 413.51 | 16.72 | 424.68 | 18.19 | 462.02 |
| H2DA843DBL | 110 | 3.3 | 157.0 | 71.2 | 172.0 | 78.0 | N/A | N/A | N/A | 16.28 | 413.51 | 16.72 | 424.68 | 18.19 | 462.02 |
| H2DA923DBE | 110 | 3.3 | 157.0 | 71.2 | 172.0 | 78.0 | N/A | N/A | N/A | 16.28 | 413.51 | 16.72 | 424.68 | 17.19 | 487.42 |
| H2DA923DBL | 110 | 3.3 | 157.0 | 71.2 | 172.0 | 78.0 | N/A | N/A | N/A | 16.28 | 413.51 | 16.72 | 424.68 | 17.19 | 487.42 |
| H2DA923DBL | 110 | 3.3 | 157.0 | 71.2 | 172.0 | 78.0 | N/A | N/A | N/A | 16.28 | 413.51 | 16.72 | 424.68 | 17.19 | 487.42 |
| H2DA104DBE | 110 | 3.3 | 157.0 | 71.2 | 172.0 | 78.0 | N/A | N/A | N/A | 17.78 | 451.61 | 19.22 | 488.18 | 19.69 | 500.12 |
| H2DA104DBF | 110 | 3.3 | 157.0 | 71.2 | 172.0 | 78.0 | N/A | N/A | N/A | 17.78 | 451.61 | 19.22 | 488.18 | 19.69 | 500.12 |
| H2DA104DBL | 110 | 3.3 | 157.0 | 71.2 | 172.0 | 78.0 | N/A | N/A | N/A | 17.78 | 451.61 | 19.22 | 488.18 | 19.69 | 500.12 |
| H2DA114DBE | 110 | 3.3 | 175.0 | 79.4 | 184.0 | 83.5 | N/A | N/A | N/A | 17.78 | 451.61 | 19.22 | 488.18 | 19.69 | 500.12 |
| H2DA114DBE | 110 | 3.3 | 175.0 | 79.4 | 184.0 | 83.5 | N/A | N/A | N/A | 17.78 | 451.61 | 19.22 | 488.18 | 19.69 | 500.12 |
| H2DA124DBE | 110 | 3.3 | 175.0 | 79.4 | 184.0 | 83.5 | N/A | N/A | N/A | 17.78 | 451.61 | 18.22 | 488.18 | 18.69 | 474.72 |
| H2DA124DBE | 110 | 3.3 | 175.0 | 79.4 | 184.0 | 83.5 | N/A | N/A | N/A | 17.78 | 451.61 | 18.22 | 488.18 | 18.69 | 474.72 |
| H2DA124DBL | 110 | 3.3 | 175.0 | 79.4 | 184.0 | 83.5 | N/A | N/A | N/A | 17.78 | 451.61 | 18.22 | 488.18 | 18.69 | 474.72 |
| H2DA124DBL | 110 | 3.3 | 175.0 | 79.4 | 184.0 | 83.5 | N/A | N/A | N/A | 17.78 | 451.61 | 18.22 | 488.18 | 18.69 | 474.72 |



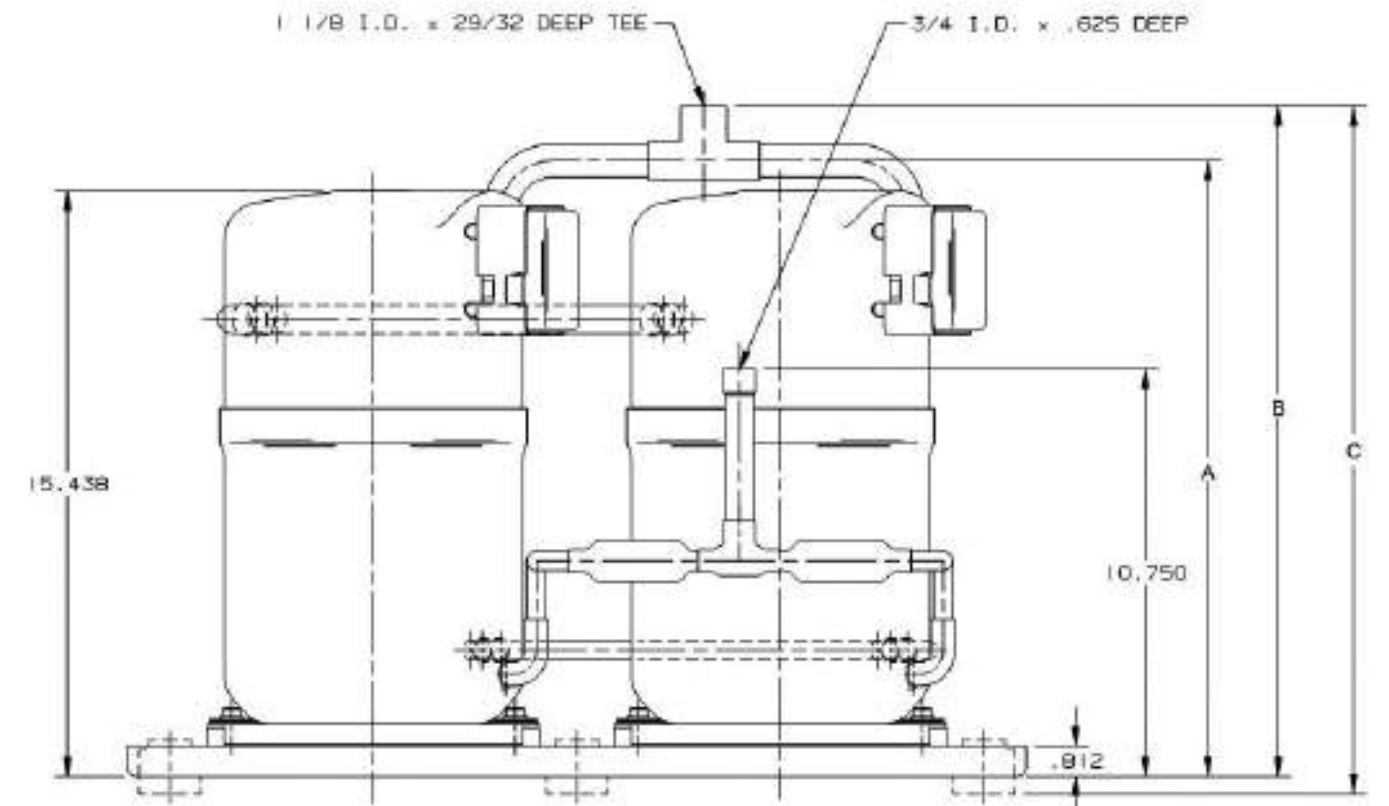
H2DA

H7DA SERIES

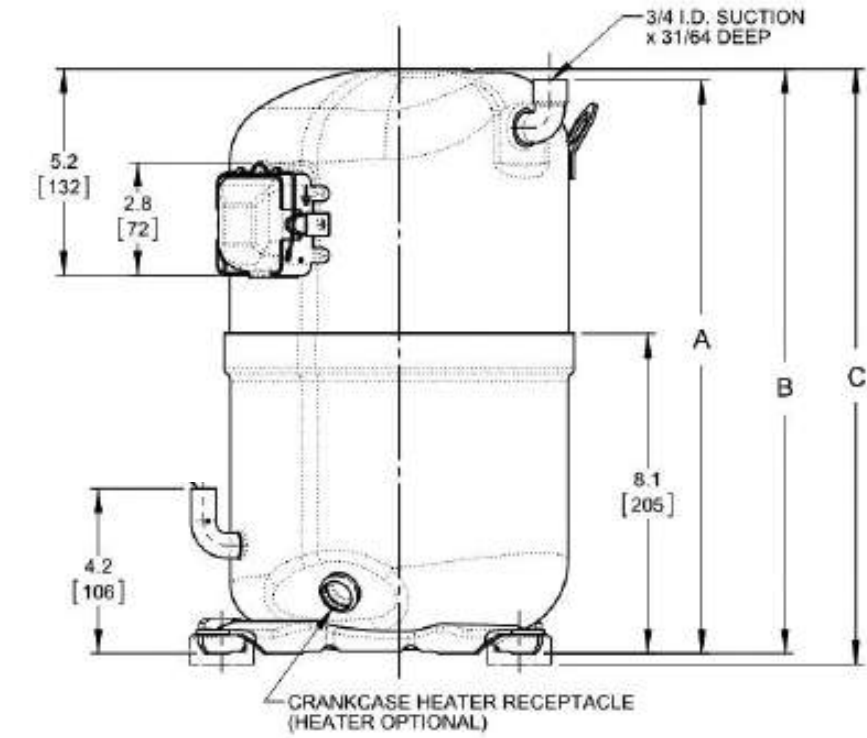
| Model | Volts Phase Hz | @45/130 | | | @45/100 | | | Electrical Data | | | Displacement | | | |
|----------------------------|----------------|----------|-------|-------------------|---------|-----|----------|-------------------|------|------|--------------|-----|---------|---------|
| | | Capacity | | Motor Input WATTS | EER/COP | | Capacity | Motor Input WATTS | EER | RLA | LRA | MCC | IN3/REV | CM3/REV |
| | | BTU/H | WATTS | | BTU/WH | W/W | | | | | | | | |
| H7DA SERIES (R407C) | | | | | | | | | | | | | | |
| H7DA114DBE | 380-415/3/50 | 84800 | 24846 | 8240 | 10.3 | 3.0 | 115400 | 7100 | 16.2 | 14.9 | 124 | 28 | 5.818 | 95.32 |
| H7DA114DBE | 460/3/60 | 104800 | 30706 | 10370 | 10.1 | 3.0 | 142600 | 9000 | 15.9 | 15.2 | 124 | 30 | 5.818 | 95.32 |
| H7DA114DBL | 200-220/3/50 | 84800 | 24846 | 8400 | 10.1 | 3.0 | 115500 | 7230 | 16.0 | 31.8 | 248 | 60 | 5.818 | 95.32 |
| H7DA114DBL | 200-230/3/60 | 104800 | 30706 | 10370 | 10.1 | 3.0 | 142600 | 9000 | 15.9 | 30.6 | 248 | 60 | 5.818 | 95.32 |
| H7DA124DBE | 380-415/3/50 | 92400 | 27073 | 9090 | 10.2 | 3.0 | 126400 | 7850 | 16.1 | 16.5 | 124 | 32 | 6.308 | 103.35 |
| H7DA124DBE | 460/3/60 | 108500 | 31791 | 10890 | 10.0 | 2.9 | 148300 | 9400 | 15.8 | 17 | 124 | 32 | 6.308 | 103.35 |
| H7DA763DBE | 380-415/3/50 | 56100 | 16437 | 5510 | 10.2 | 3.0 | 77100 | 4660 | 16.5 | 10.4 | 78 | 19 | 4.147 | 67.95 |
| H7DA763DBE | 460/3/60 | 71100 | 20832 | 6860 | 10.4 | 3.0 | 97800 | 5810 | 16.8 | 10.4 | 78 | 19 | 4.147 | 67.95 |
| H7DA923DBE | 380-415/3/50 | 69300 | 20305 | 6950 | 10.0 | 2.9 | 93500 | 5940 | 15.7 | 12.7 | 90 | 26 | 4.926 | 80.71 |
| H7DA923DBE | 460/3/60 | 82200 | 24085 | 8070 | 10.2 | 3.0 | 111000 | 6890 | 16.1 | 12.6 | 90 | 26 | 4.926 | 80.71 |

Data Subject to Revision

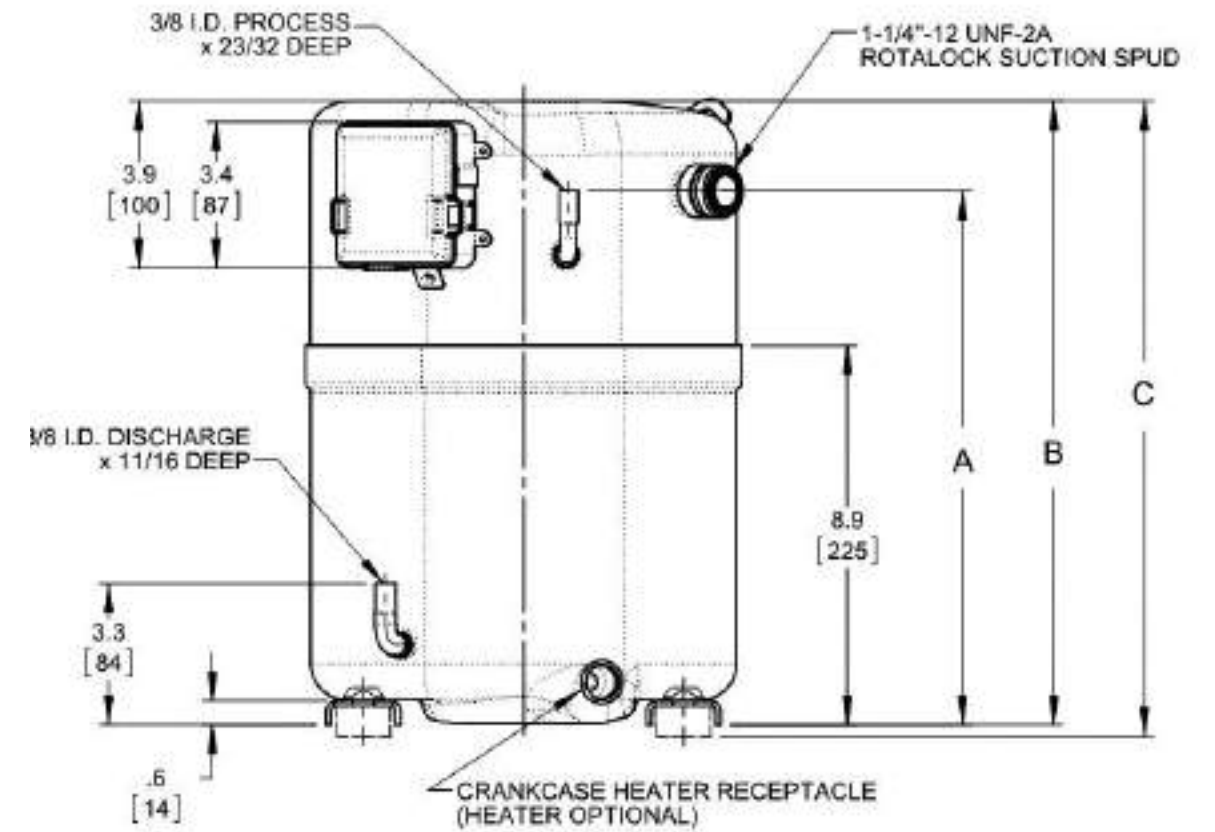
| Model | Oil Charge | | Weight | | | | ELECTRICAL START COMPONENTS | | | DIMENSIONS | | | | | |
|------------|------------|-----|--------|------|-------|------|-----------------------------|---------------------------|------------|------------|--------|-------|--------|-------|--------|
| | OZ | L | Net | | Ship | | Run Capacitor MFD/VOLTS | Start Capacitor MFD/VOLTS | G.E. Relay | A | | B | | C | |
| | | | Lbs | Kg | Lbs | Kg | | | | IN | MM | IN | MM | IN | MM |
| H7DA114DBE | 110 | 3.3 | 175.0 | 79.4 | 184.0 | 83.5 | N/A | N/A | N/A | 17.78 | 451.61 | 19.22 | 488.19 | 19.69 | 500.13 |
| H7DA114DBE | 110 | 3.3 | 175.0 | 79.4 | 184.0 | 83.5 | N/A | N/A | N/A | 17.78 | 451.61 | 19.22 | 488.19 | 19.69 | 500.13 |
| H7DA114DBL | 110 | 3.3 | 175.0 | 79.4 | 184.0 | 83.5 | N/A | N/A | N/A | 17.78 | 451.61 | 19.22 | 488.19 | 19.69 | 500.13 |
| H7DA114DBL | 110 | 3.3 | 175.0 | 79.4 | 184.0 | 83.5 | N/A | N/A | N/A | 17.78 | 451.61 | 19.22 | 488.19 | 19.69 | 500.13 |
| H7DA124DBE | 110 | 3.3 | 175.0 | 79.4 | 184.0 | 83.5 | N/A | N/A | N/A | 17.78 | 451.61 | 19.22 | 488.19 | 19.69 | 500.13 |
| H7DA124DBE | 110 | 3.3 | 175.0 | 79.4 | 184.0 | 83.5 | N/A | N/A | N/A | 17.78 | 451.61 | 19.22 | 488.19 | 19.69 | 500.13 |
| H7DA763DBE | 100 | 3.0 | 157.0 | 71.2 | 172.0 | 78.0 | N/A | N/A | N/A | 16.29 | 413.77 | 17.72 | 450.09 | 18.19 | 462.03 |
| H7DA763DBE | 100 | 3.0 | 157.0 | 71.2 | 172.0 | 78.0 | N/A | N/A | N/A | 16.29 | 413.77 | 17.72 | 450.09 | 18.19 | 462.03 |
| H7DA923DBE | 110 | 3.3 | 157.0 | 71.2 | 172.0 | 78.0 | N/A | N/A | N/A | 16.29 | 413.77 | 17.72 | 450.09 | 18.19 | 462.03 |
| H7DA923DBE | 110 | 3.3 | 157.0 | 71.2 | 172.0 | 78.0 | N/A | N/A | N/A | 16.29 | 413.77 | 17.72 | 450.09 | 18.19 | 462.03 |



H7DA



L61J



L63A

REFRIGERATION



BENCHMARK L61J SERIES (R404A Low Temp)

| Model | Volts Phase Hz | @-10/120 | | | | | @-10/130 | | | | | Electrical Data | | | Displacement | |
|-------|----------------|----------|-------|-------------------|---------|-----|----------|-------------------|-----|-----|-----|-----------------|---------|---------|--------------|--------|
| | | Capacity | | Motor Input WATTS | EER/COP | | Capacity | Motor Input WATTS | EER | RLA | LRA | MCC | IN3/REV | CM3/REV | | |
| | | BTU/H | WATTS | | BTU/WH | W/W | | | | | | | | | BTU/H | BTU/WH |

L61J SERIES (R404A)

| | | | | | | | | | | | | | | |
|------------|--------------|------|------|------|-----|-----|------|------|------|-----|----|------|-------|-------|
| L61J113ABC | 208-230/1/60 | 7000 | 2051 | 1740 | 4.1 | 1.2 | 5500 | 1680 | 3.27 | 8.1 | 77 | 18.1 | 3.883 | 63.62 |
| L61J113DBL | 200-220/3/50 | 6400 | 1875 | 1630 | 3.9 | 1.1 | 4941 | 1572 | 3.14 | 8.5 | 71 | 12 | 3.883 | 63.62 |
| L61J113DBL | 200-230/3/60 | 7300 | 2139 | 1760 | 4.1 | 1.2 | 5753 | 1705 | 3.37 | 6.9 | 68 | 12 | 3.883 | 63.62 |

L63A SERIES (R404A)

| | | | | | | | | | | | | | | |
|------------|--------------|-------|------|------|-----|-----|-------|------|-----|------|-----|------|-------|-------|
| L63A113BBC | 208-230/1/60 | 7700 | 2256 | 2020 | 3.8 | 1.1 | 10600 | 2000 | 5.3 | 11.6 | 65 | 21.5 | 3.933 | 64.44 |
| L63A113BBK | 220-240/1/50 | 6400 | 1875 | 1870 | 3.4 | 1.0 | 9200 | 1840 | 5.0 | 9 | 60 | 18 | 3.933 | 64.44 |
| L63A113DBE | 380-415/3/50 | 6200 | 1817 | 1590 | 3.6 | 1.1 | 8400 | 1520 | 5.5 | 3.3 | 30 | 80 | 3.933 | 64.44 |
| L63A113DBE | 460/3/60 | 7700 | 2256 | 1890 | 3.6 | 1.1 | 10800 | 1920 | 5.6 | 3.3 | 30 | 8 | 3.933 | 64.44 |
| L63A113DBL | 200-220/3/50 | 6200 | 1817 | 1590 | 3.6 | 1.1 | 8300 | 1520 | 5.9 | 6.1 | 50 | 14 | 3.933 | 64.44 |
| L63A113DBL | 200-230/3/60 | 7700 | 2256 | 1890 | 4.1 | 1.2 | 10800 | 1920 | 5.6 | 6.1 | 50 | 14 | 3.933 | 64.44 |
| L63A183BBC | 208-230/1/60 | 13300 | 3897 | 3040 | 4.1 | 1.2 | 18000 | 3050 | 5.9 | 15.6 | 110 | 32 | 6.032 | 98.83 |
| L63A183BBK | 220-240/1/50 | 11500 | 3370 | 2690 | 4.3 | 1.3 | 14400 | 2620 | 5.5 | 14 | 104 | 28 | 6.032 | 98.83 |
| L63A183DBD | 200-220/3/50 | 10900 | 3194 | 2570 | 4.1 | 1.2 | 14700 | 2570 | 5.7 | 9.8 | 87 | 18 | 6.032 | 98.83 |
| L63A183DBD | 208-230-3-60 | 13200 | 3868 | 3060 | 4.3 | 1.3 | 18000 | 3040 | 5.9 | 9.8 | 78 | 18 | 6.032 | 98.83 |
| L63A183DBE | 380-415/3/50 | 10900 | 3194 | 2570 | 4.1 | 1.2 | 14600 | 2450 | 6.0 | 5 | 39 | 9 | 6.032 | 98.83 |
| L63A183DBE | 460/3/60 | 13200 | 3868 | 3060 | 4.3 | 1.3 | 18000 | 3040 | 5.9 | 5 | 39 | 9 | 6.032 | 98.83 |

L63B SERIES (R404A)

| | | | | | | | | | | | | | | |
|------------|--------------|------|------|------|-----|-----|------|------|------|------|----|------|-------|-------|
| L63B562BBA | 115-1-60 | 3300 | 967 | 1170 | 2.8 | 0.8 | 4800 | 1060 | 4.5 | 11.7 | 89 | 19.6 | 2.114 | 34.64 |
| L63B562BBC | 208-230/1/60 | 3500 | 1026 | 1140 | 5.0 | 1.5 | 5100 | 1110 | 4.6 | 5.5 | 57 | 12.8 | 2.114 | 34.64 |
| L63B562BBK | 220-240/1/50 | 2500 | 733 | 930 | 2.6 | 0.8 | 3900 | 870 | 4.5 | 5.3 | 43 | 9.6 | 2.114 | 34.64 |
| L63B562DBL | 200-220/3/50 | 2900 | 850 | 930 | 3.2 | 0.9 | 4400 | 930 | 4.7 | 3.8 | 34 | 8.2 | 2.114 | 34.64 |
| L63B562DBL | 200-230/3/60 | 3400 | 996 | 1080 | 3.1 | 0.9 | 5100 | 1100 | 4.6 | 3.8 | 34 | 8.2 | 2.114 | 34.64 |
| L63B562DBV | 380-415/3/50 | 2900 | 850 | 930 | 3.2 | 0.9 | 4200 | 870 | 4.8 | 1.8 | 18 | 3.8 | 2.114 | 34.64 |
| L63B562DBV | 380-460/3/60 | 3400 | 996 | 1080 | 3.1 | 0.9 | 5100 | 1060 | 4.8 | 1.8 | 18 | 3.8 | 2.114 | 34.64 |
| L63B652BBC | 208-230/1/60 | 4600 | 1348 | 1300 | 3.5 | 1.0 | 6200 | 1230 | 5.0 | 6.6 | 57 | 12.9 | 2.527 | 41.40 |
| L63B652BBK | 220-240/1/50 | 3700 | 1084 | 1250 | 3.0 | 0.9 | 2609 | 1154 | 2.26 | 6.9 | 49 | 12 | 2.527 | 41.40 |
| L63B652DBL | 200-220/3/50 | 3700 | 1084 | 1200 | 3.1 | 0.9 | 5200 | 1040 | 5.0 | 4.3 | 35 | 8.9 | 2.527 | 41.40 |
| L63B652DBL | 200-230/3/60 | 4400 | 1289 | 1410 | 3.1 | 0.9 | 6100 | 1180 | 5.2 | 4.3 | 34 | 8.9 | 2.527 | 41.40 |
| L63B652DBV | 380-415/3/50 | 3700 | 1084 | 1200 | 3.1 | 0.9 | 5400 | 1030 | 5.2 | 2 | 18 | 4 | 2.527 | 41.40 |
| L63B652DBV | 380-460/3/60 | 4400 | 1289 | 1410 | 3.1 | 0.9 | 5900 | 1160 | 5.1 | 2 | 18 | 4 | 2.527 | 41.40 |
| L63B752BBC | 208-230/1/60 | 5400 | 1582 | 1470 | 3.7 | 1.1 | 7500 | 1440 | 5.2 | 7.2 | 55 | 15.5 | 2.778 | 45.52 |
| L63B752BBK | 220-240/1/50 | 4200 | 1231 | 1200 | 3.5 | 1.0 | 5900 | 1160 | 5.1 | 7.5 | 49 | 15.4 | 2.778 | 45.52 |
| L63B752DBL | 200-220/3/50 | 4400 | 1289 | 1340 | 3.3 | 1.0 | 6100 | 1340 | 4.6 | 5.6 | 48 | 10 | 2.778 | 45.52 |
| L63B752DBL | 200-230/3/60 | 5500 | 1612 | 1530 | 3.6 | 1.1 | 7600 | 1500 | 5.0 | 5.9 | 48 | 10 | 2.778 | 45.52 |
| L63B752DBV | 380-415/3/50 | 4400 | 1289 | 1250 | 3.5 | 1.0 | 6000 | 1220 | 4.9 | 2.9 | 24 | 5.6 | 2.778 | 45.52 |
| L63B752DBV | 380-460/3/60 | 5500 | 1612 | 1530 | 3.6 | 1.1 | 7600 | 1500 | 5.1 | 2.9 | 24 | 5.6 | 2.778 | 45.52 |

L64A SERIES (R404A)

| | | | | | | | | | | | | | | |
|------------|--------------|------|------|------|-----|-----|-------|------|------|------|----|------|-------|-------|
| L64A113BBC | 208-230/1/60 | 7700 | 2256 | 2010 | 3.9 | 1.1 | 10800 | 2060 | 5.2 | 11.7 | 96 | 21 | 3.933 | 64.44 |
| L64A113DBL | 200-220/3/50 | 6300 | 1846 | 1590 | 3.9 | 1.1 | 5014 | 1534 | 3.27 | 7 | 70 | 15 | 3.933 | 64.44 |
| L64A113DBL | 200-230/3/60 | 8300 | 2432 | 1980 | 4.2 | 1.2 | 6702 | 1921 | 3.49 | 6.8 | 70 | 14.5 | 3.933 | 64.44 |

Data Subject to Revision

| Model | Oil Charge | L | Weight | | | | ELECTRICAL START COMPONENTS | | | DIMENSIONS | | | | | |
|-------|------------|---|--------|------|-----|----|-----------------------------|-----------------|------|------------|-----------|-------|----|----|----|
| | | | Net | Ship | Lbs | Kg | Run Capacitor | Start Capacitor | G.E. | A | | B | | C | |
| | | | | | | | | | | MFD/VOLTS | MFD/VOLTS | Relay | IN | MM | IN |

| | | | | | | | | | | | | | | | |
|------------|----|-----|------|------|------|------|--------|-------------|----------|-------|--------|-------|--------|-------|--------|
| L61J113ABC | 40 | 1.1 | 76.0 | 34.5 | 80.0 | 36.3 | 40/370 | 238-262/330 | 3ARR*3S* | 15.00 | 381.00 | 15.30 | 388.62 | 15.50 | 393.70 |
| L61J113DBL | 40 | 1.1 | 69.0 | 31.3 | 73.0 | 33.1 | NA | NA | NA | 14.50 | 368.30 | 14.70 | 373.38 | 15.00 | 381.00 |
| L61J113DBL | 40 | 1.1 | 69.0 | 31.3 | 73.0 | 33.1 | NA | NA | NA | 14.50 | 368.30 | 14.70 | 373.38 | 15.00 | 381.00 |

| | | | | | | | | | | | | | | | |
|------------|----|-----|------|------|------|------|--------|-------------|-------------|-------|--------|-------|--------|-------|--------|
| L63A113BBC | 50 | 1.5 | 72.0 | 32.7 | 75.5 | 34.2 | 20/440 | 161-193/250 | 3ARR3*26C* | 12.50 | 317.50 | 14.60 | 370.84 | 14.90 | 378.46 |
| L63A113BBK | 50 | 1.5 | 74.0 | 33.6 | 77.5 | 35.2 | 25/370 | 161-193/250 | 3ARR3*10AU* | 12.50 | 317.50 | 14.60 | 370.84 | 14.90 | 378.46 |
| L63A113DBE | 50 | 1.5 | 71.0 | 32.2 | 74.5 | 33.8 | N/A | N/A | N/A | 12.50 | 317.50 | 14.60 | 370.84 | 14.90 | 378.46 |
| L63A113DBE | 50 | 1.5 | 71.0 | 32.2 | 74.5 | 33.8 | N/A | N/A | N/A | 12.50 | 317.50 | 14.60 | 370.84 | 14.90 | 378.46 |
| L63A113DBL | 50 | 1.5 | 71.0 | 32.2 | 74.5 | 33.8 | N/A | N/A | N/A | 12.50 | 317.50 | 14.60 | 370.84 | 14.90 | 378.46 |
| L63A113DBL | 50 | 1.5 | 71.0 | 32.2 | 74.5 | 33.8 | N/A | N/A | N/A | 12.50 | 317.50 | 14.60 | 370.84 | 14.90 | 378.46 |
| L63A183BBC | 50 | 1.5 | 74.0 | 33.6 | 77.5 | 35.2 | 35/440 | 216-259/330 | 216-259/330 | 12.50 | 317.50 | 14.60 | 370.84 | 14.90 | 378.46 |
| L63A183BBK | 50 | 1.5 | 74.0 | 33.6 | 77.5 | 35.2 | 35/440 | 270-324/330 | 3ARR3*4AA | 15.80 | 401.32 | 16.10 | 408.94 | 16.40 | 416.56 |
| L63A183DBD | 50 | 1.5 | 74.0 | 33.6 | 77.5 | 35.2 | N/A | N/A | N/A | 12.50 | 317.50 | 14.60 | 370.84 | 14.90 | 378.46 |
| L63A183DBD | 50 | 1.5 | 74.0 | 33.6 | 77.5 | 35.2 | N/A | N/A | N/A | 12.50 | 317.50 | 14.60 | 370.84 | 14.90 | 378.46 |
| L63A183DBE | 50 | 1.5 | 74.0 | 33.6 | 77.5 | 35.2 | N/A | N/A | N/A | 12.50 | 317.50 | 14.60 | 370.84 | 14.90 | 378.46 |
| L63A183DBE | 50 | 1.5 | 74.0 | 33.6 | 77.5 | 35.2 | N/A | N/A | N/A | 12.50 | 317.50 | 14.60 | 370.84 | 14.90 | 378.46 |

| | | | | | | | | | | | | | | | |
|------------|----|-----|------|------|------|------|--------|-------------|------------|-------|--------|-------|--------|-------|--------|
| L63B562BBA | 40 | 1.1 | 61.0 | 27.7 | 64.5 | 29.3 | 20/370 | 161-193/250 | 3ARR3*25S* | 12.20 | 309.88 | 12.60 | 320.04 | 12.90 | 327.66 |
| L63B562BBC | 40 | 1.1 | 61.0 | 27.7 | 64.5 | 29.3 | 30/370 | 161-193/250 | 3ARR3*3V* | 12.70 | 322.58 | 13.20 | 335.28 | 13.50 | 342.90 |
| L63B562BBK | 40 | 1.1 | 61.0 | 27.7 | 64.5 | 29.3 | 15/370 | 161-193/250 | 3ARR3*3AV* | 12.20 | 309.88 | 13.20 | 335.28 | 13.50 | 342.90 |
| L63B562DBL | 40 | 1.1 | 53.0 | 24.0 | 64.5 | 29.3 | N/A | N/A | N/A | 12.24 | 310.90 | 12.63 | 320.80 | 12.90 | 327.66 |
| L63B562DBL | 40 | 1.1 | 53.0 | 24.0 | 64.5 | 29.3 | N/A | N/A | N/A | 12.24 | 310.90 | 12.63 | 320.80 | 12.90 | 327.66 |
| L63B562DBV | 40 | 1.1 | 55.0 | 24.9 | 58.5 | 26.5 | N/A | N/A | N/A | 12.24 | 310.90 | 12.63 | 320.80 | 12.90 | 327.66 |
| L63B562DBV | 40 | 1.1 | 55.0 | 24.9 | 58.5 | 26.5 | N/A | N/A | N/A | 12.24 | 310.90 | 12.63 | 320.80 | 12.90 | 327.66 |
| L63B652BBC | 40 | 1.1 | 61.0 | 27.7 | 64.5 | 29.3 | 30/370 | 161-193/250 | 3ARR3*3V* | 12.77 | 324.36 | 13.25 | 336.55 | 13.53 | 343.66 |
| L63B652BBK | 40 | 1.1 | 61.0 | 27.7 | 64.5 | 29.3 | 15/370 | 125-149/250 | () | 12.77 | 324.36 | 13.25 | 336.55 | 13.53 | 343.66 |
| L63B652DBL | 40 | 1.1 | 56.0 | 25.4 | 59.5 | 27.0 | N/A | N/A | N/A | 12.24 | 310.90 | 12.63 | 320.80 | 12.90 | 327.66 |
| L63B652DBL | 40 | 1.1 | 56.0 | 25.4 | 59.5 | 27.0 | N/A | N/A | N/A | 12.24 | 310.90 | 12.63 | 320.80 | 12.90 | 327.66 |
| L63B652DBV | 40 | 1.1 | 56.0 | 25.4 | 59.5 | 27.0 | N/A | N/A | N/A | 12.24 | 310.90 | 12.63 | 320.80 | 12.90 | 327.66 |
| L63B652DBV | 40 | 1.1 | 56.0 | 25.4 | 59.5 | 27.0 | N/A | N/A | N/A | 12.24 | 310.90 | 12.63 | 320.80 | 12.90 | 327.66 |
| L63B752BBC | 40 | 1.1 | 61.0 | 27.7 | 64.5 | 29.3 | 30/370 | 161-193/250 | | | | | | | |

M63A SERIES

| Model | Volts Phase Hz | @20/120 | | | | | @20/130 | | | | | Electrical Data | | | Displacement | |
|----------------------------|----------------|----------|-------|-------------------|---------|-----|----------|-------------------|-----|------|-----|-----------------|---------|---------|--------------|--|
| | | Capacity | | Motor Input WATTS | EER/COP | | Capacity | Motor Input WATTS | EER | RLA | LRA | MCC | IN3/REV | CM3/REV | | |
| | | BTU/H | WATTS | | BTU/WH | W/W | | | | | | | | | BTU/H | |
| M63A SERIES (R404A) | | | | | | | | | | | | | | | | |
| M63A243BBC | 208-230/1/60 | 20600 | 6036 | 3210 | 6.4 | 1.9 | 23700 | 3270 | 7.2 | 16.5 | 96 | 28 | 4.310 | 70.62 | | |
| M63A243DBL | 200-220/3/50 | 17200 | 5040 | 2630 | 6.6 | 1.9 | 20300 | 2730 | 7.4 | 9.7 | 78 | 18.6 | 4.310 | 70.62 | | |
| M63A243DBL | 200-230/3/60 | 20500 | 6007 | 3070 | 6.7 | 2.0 | 23800 | 3170 | 7.5 | 9.6 | 78 | 18.6 | 4.310 | 70.62 | | |
| M63A243DBV | 380-415/3/50 | 17200 | 5040 | 2630 | 6.6 | 1.9 | 20300 | 2730 | 7.4 | 4.7 | 39 | 9 | 4.310 | 70.62 | | |
| M63A243DBV | 380-460/3/60 | 20500 | 6007 | 3070 | 6.7 | 2.0 | 23800 | 3170 | 7.5 | 4.8 | 39 | 9 | 4.310 | 70.62 | | |
| M63A273BBC | 208-230/1/60 | 22300 | 6534 | 3470 | 6.4 | 1.9 | 25600 | 3610 | 7.1 | 17.2 | 96 | 32 | 4.712 | 77.20 | | |
| M63A273DBD | 200-220/3/50 | 18100 | 5303 | 2820 | 6.4 | 1.9 | 21100 | 2900 | 7.3 | 10.8 | 70 | 18 | 4.712 | 77.20 | | |
| M63A273DBD | 208-230-3-60 | 22400 | 6563 | 3360 | 6.7 | 2.0 | 25400 | 3480 | 7.3 | 10.8 | 70 | 18 | 4.712 | 77.20 | | |
| M63A273DBE | 380-415/3/50 | 18100 | 5303 | 2820 | 6.4 | 1.9 | 21100 | 2900 | 7.3 | 5.3 | 32 | 9 | 4.712 | 77.20 | | |
| M63A273DBE | 460/3/60 | 22400 | 6563 | 3360 | 6.7 | 2.0 | 25400 | 3480 | 7.3 | 5.2 | 30 | 9 | 4.712 | 77.20 | | |
| M63A273DBF | 500/3/50 | 18000 | 5274 | 2880 | 6.2 | 1.8 | 20500 | 2880 | 7.1 | 4 | 36 | 8 | 4.712 | 77.20 | | |
| M63A273DBF | 575/3/60 | 21600 | 6329 | 3470 | 6.2 | 1.8 | 26000 | 3650 | 7.1 | 4.1 | 36 | 8 | 4.712 | 77.20 | | |
| M63A323BBC | 208-230/1/60 | 25500 | 7472 | 3870 | 6.6 | 1.9 | 30400 | 4200 | 7.2 | 19.7 | 138 | 40 | 5.202 | 85.23 | | |
| M63A323DBL | 200-220/3/50 | 22400 | 6563 | 3440 | 6.5 | 1.9 | 25000 | 3370 | 7.4 | 12.5 | 106 | 22.5 | 5.202 | 85.23 | | |
| M63A323DBL | 200-230/3/60 | 25700 | 7530 | 3880 | 6.6 | 1.9 | 30300 | 4140 | 7.3 | 12.3 | 106 | 24 | 5.202 | 85.23 | | |
| M63A323DBV | 380-415/3/50 | 22100 | 6475 | 3400 | 6.5 | 1.9 | 25400 | 3530 | 7.2 | 6.1 | 53 | 11 | 5.202 | 85.23 | | |
| M63A323DBV | 380-460/3/60 | 25700 | 7530 | 3910 | 6.6 | 1.9 | 30300 | 4140 | 7.3 | 6.1 | 53 | 11 | 5.202 | 85.23 | | |

M63B SERIES (R404A)

| | | | | | | | | | | | | | | |
|------------|--------------|-------|------|------|-----|-----|-------|------|-----|------|----|------|-------|-------|
| M63B123BBC | 208-230/1/60 | 10300 | 3018 | 1670 | 6.2 | 1.8 | 11800 | 1680 | 7.0 | 8.6 | 66 | 16 | 2.539 | 41.60 |
| M63B123BBK | 220-240/1/50 | 7800 | 2285 | 1460 | 5.3 | 1.6 | 9500 | 1390 | 6.8 | 7.4 | 61 | 13.7 | 2.539 | 41.60 |
| M63B123DBL | 200-220/3/50 | 8900 | 2608 | 1540 | 5.8 | 1.7 | 9600 | 1480 | 6.5 | 5.9 | 48 | 9.9 | 2.539 | 41.60 |
| M63B123DBL | 200-230/3/60 | 10300 | 3018 | 1720 | 6.0 | 1.8 | 11500 | 1660 | 6.9 | 5.9 | 48 | 9.9 | 2.539 | 41.60 |
| M63B153BBC | 208-230/1/60 | 12500 | 3663 | 2000 | 6.3 | 1.8 | 14400 | 1980 | 7.3 | 10 | 66 | 17 | 2.905 | 47.60 |
| M63B153BBK | 220-240/1/50 | 10200 | 2989 | 1780 | 5.7 | 1.7 | 12300 | 1750 | 7.0 | 8.7 | 61 | 16.2 | 2.905 | 47.60 |
| M63B153DBL | 200-220/3/50 | 10500 | 3077 | 1690 | 6.2 | 1.8 | 11800 | 1640 | 7.2 | 5.8 | 44 | 11 | 2.905 | 47.60 |
| M63B153DBL | 200-230/3/60 | 12300 | 3604 | 1970 | 6.2 | 1.8 | 14100 | 1960 | 7.2 | 6 | 44 | 11 | 2.905 | 47.60 |
| M63B153DBV | 380-415/3/50 | 10500 | 3077 | 1690 | 6.2 | 1.8 | 11800 | 1640 | 7.2 | 3 | 23 | 6 | 2.905 | 47.60 |
| M63B153DBV | 380-460/3/60 | 12300 | 3604 | 1970 | 6.2 | 1.8 | 14100 | 1960 | 7.2 | 3 | 23 | 6 | 2.905 | 47.60 |
| M63B203BBC | 208-230/1/60 | 16100 | 4717 | 2530 | 6.3 | 1.8 | 18900 | 2660 | 7.1 | 13.1 | 85 | 24 | 3.361 | 55.07 |
| M63B203BBK | 220-240/1/50 | 13600 | 3985 | 2160 | 6.3 | 1.8 | 16000 | 2250 | 7.1 | 11.4 | 76 | 21.4 | 3.361 | 55.07 |
| M63B203DBD | 200-220/3/50 | 13300 | 3897 | 2050 | 6.5 | 1.9 | 14700 | 2140 | 6.9 | 8.1 | 60 | 13.2 | 3.361 | 55.07 |
| M63B203DBD | 208-230-3-60 | 15800 | 4629 | 2480 | 6.4 | 1.9 | 18500 | 2580 | 7.2 | 8.1 | 60 | 13.2 | 3.361 | 55.07 |
| M63B203DBE | 380-415/3/50 | 13300 | 3897 | 2050 | 6.5 | 1.9 | 14700 | 2140 | 6.9 | 3.7 | 23 | 6.6 | 3.361 | 55.07 |
| M63B203DBE | 460/3/60 | 15800 | 4629 | 2480 | 6.4 | 1.9 | 18500 | 2580 | 7.2 | 3.7 | 23 | 3.6 | 3.361 | 55.07 |
| M63B872BBC | 208-230/1/60 | 6600 | 1934 | 1170 | 5.6 | 1.6 | 7900 | 1170 | 6.8 | 6.1 | 54 | 10.6 | 1.760 | 28.84 |
| M63B872BBK | 220-240/1/50 | 5200 | 1524 | 1040 | 5.0 | 1.5 | 6600 | 1090 | 6.1 | 5 | 35 | 9.1 | 1.760 | 28.84 |
| M63B982BBC | 208-230/1/60 | 7800 | 2285 | 1330 | 5.9 | 1.7 | 9200 | 1340 | 6.9 | 6.9 | 54 | 14 | 1.909 | 31.28 |
| M63B982BBK | 220-240/1/50 | 6100 | 1787 | 1150 | 5.3 | 1.6 | 7400 | 1160 | 6.5 | 5.4 | 42 | 10.8 | 1.909 | 31.28 |

Data Subject to Revision

| Model | Oil Charge | | Weight Net Ship | | | | ELECTRICAL START COMPONENTS | | | DIMENSIONS | | | | | |
|------------|------------|-----|-----------------|------|------|------|-----------------------------|-----------------|-------------|------------|--------|---------|--------|-------|--------|
| | OZ | L | Lbs | Kg | Lbs | Kg | Run Capacitor | Start Capacitor | G.E. | A | | B | | C | |
| | | | | | | | MFD/VOLTS | MFD/VOLTS | Relay | IN | MM | IN | MM | IN | MM |
| M63A243BBC | 50 | 1.5 | 74.0 | 33.6 | 85.0 | 38.6 | 35/440 | 189-227/330 | 3ARR3*4A* | 14.25 | 361.95 | 14.63 | 371.60 | 14.90 | 378.46 |
| M63A243DBL | 50 | 1.5 | 74.0 | 33.6 | 78.5 | 35.6 | N/A | N/A | N/A | 14.25 | 361.95 | 14.63 | 371.60 | 14.90 | 378.46 |
| M63A243DBL | 50 | 1.5 | 74.0 | 33.6 | 78.5 | 35.6 | N/A | N/A | N/A | 14.25 | 361.95 | 14.63 | 371.60 | 14.90 | 378.46 |
| M63A243DBV | 50 | 1.5 | 74.0 | 33.6 | 78.5 | 35.6 | N/A | N/A | N/A | 14.19 | 360.43 | 14.63 | 371.60 | 14.90 | 378.46 |
| M63A243DBV | 50 | 1.5 | 74.0 | 33.6 | 78.5 | 35.6 | N/A | N/A | N/A | 14.19 | 360.43 | 14.63 | 371.60 | 14.90 | 378.46 |
| M63A273BBC | 50 | 1.5 | 74.0 | 33.6 | 85.0 | 38.6 | 35/440 | 189-227/330 | 3ARR3*4A* | 14.25 | 361.95 | 14.63 | 371.60 | 14.90 | 378.46 |
| M63A273DBD | 50 | 1.5 | 73.0 | 33.1 | 84.0 | 38.1 | N/A | N/A | N/A | 14.25 | 361.95 | 14.63 | 371.60 | 14.90 | 378.46 |
| M63A273DBD | 50 | 1.5 | 73.0 | 33.1 | 84.0 | 38.1 | N/A | N/A | N/A | 14.25 | 361.95 | 14.63 | 371.60 | 14.90 | 378.46 |
| M63A273DBE | 50 | 1.5 | 72.0 | 32.7 | 83.0 | 37.6 | N/A | N/A | N/A | 14.30 | 363.22 | 14.60 | 370.84 | 14.90 | 378.46 |
| M63A273DBE | 50 | 1.5 | 72.0 | 32.7 | 83.0 | 37.6 | N/A | N/A | N/A | 14.30 | 363.22 | 14.60 | 370.84 | 14.90 | 378.46 |
| M63A273DBF | 50 | 1.5 | 74.0 | 33.6 | 78.5 | 35.6 | N/A | N/A | N/A | 14.19 | 360.43 | 14.63 | 371.60 | 14.90 | 378.46 |
| M63A273DBF | 50 | 1.5 | 74.0 | 33.6 | 78.5 | 35.6 | N/A | N/A | N/A | 14.19 | 360.43 | 14.63 | 371.60 | 14.90 | 378.46 |
| M63A323BBC | 50 | 1.5 | 87.5 | 39.7 | 92.0 | 41.7 | 45/440 | 135-155/330 | 3ARR3*4A* | 15.69 | 398.53 | 16.13 | 409.70 | 16.40 | 416.56 |
| M63A323DBL | 50 | 1.5 | 79.5 | 36.1 | 84.0 | 38.1 | N/A | N/A | N/A | 15.69 | 398.53 | 16.13 | 409.70 | 16.40 | 416.56 |
| M63A323DBL | 50 | 1.5 | 79.5 | 36.1 | 84.0 | 38.1 | N/A | N/A | N/A | 15.69 | 398.53 | 16.13 | 409.70 | 16.40 | 416.56 |
| M63A323DBV | 50 | 1.5 | 79.5 | 36.1 | 84.0 | 38.1 | N/A | N/A | N/A | 15.69 | 398.53 | 16.13 | 409.70 | 16.40 | 416.56 |
| M63A323DBV | 50 | 1.5 | 79.5 | 36.1 | 84.0 | 38.1 | N/A | N/A | N/A | 15.69 | 398.53 | 16.13 | 409.70 | 16.40 | 416.56 |
| M63B123BBC | 40 | 1.1 | 63.0 | 28.6 | 66.0 | 29.9 | 25/440 | 161-193/250 | 3ARR3*24T* | 12.76 | 324.10 | 13.25 | 336.55 | 13.53 | 343.66 |
| M63B123BBK | 40 | 1.1 | 63.0 | 28.6 | 66.0 | 29.9 | 25/370 | 125-145/250 | 3ARR3*6AV* | 12.76 | 324.10 | 13.25 | 336.55 | 13.53 | 343.66 |
| M63B123DBL | 40 | 1.1 | 56.0 | 25.4 | 59.5 | 27.0 | N/A | N/A | N/A | 12.24 | 310.90 | 12.63 | 320.80 | 12.90 | 327.66 |
| M63B123DBL | 40 | 1.1 | 56.0 | 25.4 | 59.5 | 27.0 | N/A | N/A | N/A | 12.24 | 310.90 | 12.63 | 320.80 | 12.90 | 327.66 |
| M63B153BBC | 40 | 1.1 | 62.0 | 28.1 | 65.5 | 29.7 | 35/440 | 161-193/25 | 3ARR3*24T* | 12.76 | 324.10 | 13.25 | 336.55 | 13.53 | 343.66 |
| M63B153BBK | 40 | 1.1 | 63.0 | 28.6 | 66.0 | 29.9 | 30/370 | 161-193/250 | 3ARR3*6AV* | 12.76 | 324.10 | 13.25 | 336.55 | 13.53 | 343.66 |
| M63B153DBL | 40 | 1.1 | 60.3 | 27.4 | 63.8 | 28.9 | N/A | N/A | N/A | 12.76 | 324.10 | 13.25 | 336.55 | 13.53 | 343.66 |
| M63B153DBL | 40 | 1.1 | 60.3 | 27.4 | 63.8 | 28.9 | N/A | N/A | N/A | 12.76 | 324.10 | 13.25 | 336.55 | 13.53 | 343.66 |
| M63B153DBV | 40 | 1.1 | 60.3 | 27.4 | 63.8 | 28.9 | N/A | N/A | N/A | 12.76 | 324.10 | 13.25 | 336.55 | 13.53 | 343.66 |
| M63B153DBV | 40 | 1.1 | 60.3 | 27.4 | 63.8 | 28.9 | N/A | N/A | N/A | 12.76 | 324.10 | 13.25 | 336.55 | 13.53 | 343.66 |
| M63B203BBC | 40 | 1.1 | 61.0 | 27.7 | 64.5 | 29.3 | 40/440 | 145-175/250 | 3ARR3*24T* | 12.76 | 324.10 | 13.25 | 336.55 | 13.53 | 343.66 |
| M63B203BBK | 40 | 1.1 | 61.0 | 27.7 | 64.5 | 29.3 | 35/370 | 189-227/250 | 3ARR3*10AU* | 13.76 | 349.50 | 14.25 | 361.95 | 14.53 | 369.06 |
| M63B203DBD | 40 | 1.1 | 63.0 | 28.6 | 66.5 | 30.2 | N/A | N/A | N/A | 12.76 | 324.10 | 13.25 | 336.55 | 13.53 | 343.66 |
| M63B203DBD | 40 | 1.1 | 63.0 | 28.6 | 66.5 | 30.2 | N/A | N/A | N/A | 12.76 | 324.10 | 13.25 | 336.55 | 13.53 | 343.66 |
| M63B203DBE | 40 | 1.1 | 63.0 | 28.6 | 66.5 | 30.2 | N/A | N/A | N/A | 12.76 | 324.10 | 13.25 | 336.55 | 13.53 | 343.66 |
| M63B203DBE | 40 | 1.1 | 63.0 | 28.6 | 66.5 | 30.2 | N/A | N/A | N/A | 12.76 | 324.10 | 13.25 | 336.55 | 13.53 | 343.66 |
| M63B872BBC | 40 | 1.1 | 60.3 | 27.4 | 63.8 | 28.9 | 25/370 | 145-175/250 | 3ARR3*3U* | 12.24 | 310.90 | 12.63 | 320.80 | 12.90 | 327.66 |
| M63B872BBK | 40 | 1.1 | 60.3 | 27.4 | 63.8 | 28.9 | 25/370 | 145-175/25 | 3ARR3*10AB* | 12.24 | 310.90 | 12.63 | 320.80 | 12.90 | 327.66 |
| M63B982BBC | 40 | 1.1 | 60.3 | 27.4 | 63.8 | 28.9 | 25/370 | 145-175/250 | 3ARR3*3U* | 12.24 | 310.90 | 12.63 | 320.80 | 12.90 | 327.66 |
| M63B982BBK | 40 | 1.1 | 60.3 | 27.4 | 63.8 | 28.9 | 25/370 | 145-175/250 | 3ARR3*10AT* | 12.24 | 310.90 | 12.63</ | | | |

R92J SERIES

| Model | Volts Phase Hz | @20/120 | | | | | | | | | | | | |
|------------|----------------|----------|-------|-------------------|---------|-----|----------|-------------------|-----|-----------------|-----|------|--------------|---------|
| | | Capacity | | Motor Input WATTS | EER/COP | | Capacity | Motor Input WATTS | EER | Electrical Data | | | Displacement | |
| | | BTU/H | WATTS | | BTU/WH | W/W | | | | BTU/H | RLA | LRA | MCC | IN3/REV |
| | | | | BTU/WH | | | W/W | BTU/H | RLA | | | | | |
| R92J163ABC | 208-230/1/60 | 6850 | 2007 | 1161 | 5.9 | 1.7 | N/A | N/A | N/A | 5.2 | 43 | 11 | 1.975 | 32.36 |
| R92J183ABC | 208-230/1/60 | 8327 | 2440 | 1336 | 6.23 | 1.8 | N/A | N/A | N/A | 6 | 43 | 13 | 2.144 | 35.13 |
| R92J183ABK | 220-240/1/50 | 6731 | 1980 | 1158 | 5.8 | 1.7 | N/A | N/A | N/A | 5.2 | 37 | 9 | 2.144 | 35.13 |
| R92J183DBL | 200-220/3/50 | 6943 | 2034 | 1190 | 5.8 | 1.7 | N/A | N/A | N/A | 6.1 | 64 | 10.6 | 2.144 | 35.13 |
| R92J183DBL | 200-230/3/60 | 8383 | 2456 | 1381 | 6.1 | 1.8 | N/A | N/A | N/A | 5.4 | 63 | 11.2 | 2.144 | 35.13 |
| R92J203ABC | 208-230/1/60 | 9400 | 2754 | 1525 | 6.2 | 1.8 | N/A | N/A | N/A | 6.9 | 61 | 15 | 2.224 | 36.44 |
| R92J203DBL | 200-230/3/60 | 9400 | 2754 | 1520 | 6.2 | 1.8 | N/A | N/A | N/A | 5.6 | 63 | 11.4 | 2.224 | 36.44 |
| R92J203DBL | 200-220/3/50 | 7600 | 2226 | 1300 | 5.9 | 1.7 | N/A | N/A | N/A | 6.6 | 64 | 11 | 2.224 | 36.44 |
| R92J203ABK | 220-240/1/50 | 7400 | 2168 | 1250 | 5.9 | 1.7 | N/A | N/A | N/A | 6.1 | 48 | 11.6 | 2.224 | 36.44 |
| R92J223ABC | 208-230/1/60 | 10780 | 3158 | 1678 | 6.4 | 1.9 | N/A | N/A | N/A | 8.6 | 61 | 15 | 2.539 | 41.60 |
| R92J223ABK | 220-240/1/50 | 8800 | 2578 | 2578 | 6.2 | 1.8 | N/A | N/A | N/A | 6.7 | 48 | 13 | 2.539 | 41.60 |
| R92J223DBL | 200-220/3/50 | 8397 | 2431 | 1341 | 6.2 | 1.8 | N/A | N/A | N/A | 6.5 | 60 | 12 | 2.539 | 41.60 |
| R92J223DBL | 200-230/3/60 | 10479 | 3070 | 1685 | 6.2 | 1.8 | N/A | N/A | N/A | 6.5 | 60 | 12 | 2.539 | 41.60 |
| R92J223DBV | 380-415/3/50 | 8312 | 2435 | 1349 | 6.2 | 1.8 | N/A | N/A | N/A | 3 | 30 | 6 | 2.539 | 41.60 |
| R92J223DBV | 380-460/3/60 | 10631 | 3114 | 1716 | 6.2 | 1.8 | N/A | N/A | N/A | 2 | 30 | 6 | 2.539 | 41.60 |
| R92J243ABC | 208-230/1/60 | 12300 | 3603 | 1910 | 6.4 | 1.9 | N/A | N/A | N/A | 8.4 | 60 | 16.5 | 2.708 | 44.37 |
| R92J243BBK | 220-240-1-50 | 10050 | 2944 | 1570 | 6.4 | 1.9 | N/A | N/A | N/A | 9.6 | 58 | 18 | 2.708 | 44.37 |
| R92J243DBL | 200-230/3/60 | 12400 | 3633 | 1940 | 6.4 | 1.9 | N/A | N/A | N/A | 6.4 | 63 | 12.7 | 2.708 | 44.37 |
| R92J243DBL | 200-220/3/50 | 10300 | 3017 | 1640 | 6.3 | 1.8 | N/A | N/A | N/A | 6.8 | 63 | 12.8 | 2.708 | 44.37 |
| R92J243DBV | 380-460/3/60 | 12400 | 3633 | 1925 | 6.4 | 1.9 | N/A | N/A | N/A | 3.1 | 30 | 6.1 | 2.708 | 44.37 |
| R92J243DBV | 380-415/3/50 | 10200 | 2988 | 1560 | 6.5 | 1.9 | N/A | N/A | N/A | 3.1 | 30 | 5.9 | 2.708 | 44.37 |
| R92J253ABC | 208-230/1/60 | 11811 | 3461 | 1849 | 6.4 | 1.9 | N/A | N/A | N/A | 8.7 | 61 | 17 | 2.765 | 45.30 |
| R92J253ABK | 220-240/1/50 | 10200 | 2985 | 1540 | 6.6 | 1.9 | N/A | N/A | N/A | 7.6 | 64 | 16 | 2.765 | 45.30 |
| R92J253DBL | 200-220/3/50 | 9890 | 2898 | 1583 | 6.2 | 1.8 | N/A | N/A | N/A | 6.6 | 64 | 13 | 2.765 | 45.30 |
| R92J253DBL | 200-230/3/60 | 11850 | 3472 | 1854 | 6.4 | 1.9 | N/A | N/A | N/A | 6.2 | 63 | 13.5 | 2.765 | 45.30 |
| R92J253DBV | 380-415/3/50 | 9890 | 2898 | 1583 | 6.3 | 1.8 | N/A | N/A | N/A | 3.1 | 30 | 6.1 | 2.765 | 45.30 |
| R92J253DBV | 380-460/3/60 | 11850 | 3472 | 1854 | 6.4 | 1.9 | N/A | N/A | N/A | 3.1 | 30 | 6.1 | 2.765 | 45.30 |
| R92J273ABC | 208-230/1/60 | 12860 | 3767 | 1914 | 6.7 | 2.0 | N/A | N/A | N/A | 9 | 61 | 18.3 | 2.915 | 47.76 |
| R92J273ABK | 220-240/1/50 | 11172 | 3273 | 1689 | 6.6 | 1.9 | N/A | N/A | N/A | 6.8 | 64 | 14 | 2.915 | 47.76 |
| R92J273DBL | 200-230/3/60 | 12735 | 3736 | 1933 | 6.6 | 1.9 | N/A | N/A | N/A | 7 | 63 | 12.5 | 2.915 | 47.76 |
| R92J273DBV | 380-415/3/50 | 11154 | 3268 | 1721 | 6.5 | 1.9 | N/A | N/A | N/A | 3.2 | 30 | 6.5 | 2.915 | 47.76 |
| R92J273DBV | 380-460/3/60 | 13088 | 3834 | 2011 | 6.5 | 1.9 | N/A | N/A | N/A | 3.5 | 30 | 7 | 2.915 | 47.76 |
| R92J323ABC | 208-230/1/60 | 15800 | 4629 | 1543 | 6.7 | 2.0 | N/A | N/A | N/A | 10.7 | 82 | 20.2 | 3.281 | 53.76 |
| R92J323DBL | 200-220/3/50 | 14200 | 4160 | 2110 | 6.7 | 2.0 | N/A | N/A | N/A | 8 | 78 | 15.9 | 3.281 | 53.76 |
| R92J323DBL | 200-230/3/60 | 15800 | 4629 | 1543 | 6.7 | 2.0 | N/A | N/A | N/A | 8 | 78 | 15.9 | 3.281 | 53.76 |
| R92J343ABC | 208-230/1/60 | 17446 | 5111 | 2514 | 7.0 | 2.1 | N/A | N/A | N/A | 11.2 | 78 | 22 | 3.531 | 57.85 |
| R92J343ABK | 220-240-1/50 | 14400 | 4219 | 2080 | 6.9 | 2.0 | N/A | N/A | N/A | 10 | 65 | 18 | 3.531 | 57.85 |
| R92J343DBL | 200-220/3/50 | 14144 | 4144 | 2075 | 6.8 | 2.0 | N/A | N/A | N/A | 8 | 76 | 14 | 3.531 | 57.85 |
| R92J343DBL | 200-230/3/60 | 17000 | 4981 | 2502 | 6.8 | 2.0 | N/A | N/A | N/A | 8 | 72 | 14.5 | 3.531 | 57.85 |
| R92J343DBV | 380-415/3/50 | 14370 | 4210 | 2185 | 6.6 | 1.9 | N/A | N/A | N/A | 4.5 | 45 | 8 | 3.531 | 57.85 |
| R92J343DBV | 380-460/3/60 | 17930 | 5253 | 2607 | 6.9 | 2.0 | N/A | N/A | N/A | 4.5 | 45 | 8 | 3.531 | 57.85 |
| R92J383ABC | 208-230/1/60 | 18707 | 5481 | 2882 | 6.5 | 1.9 | N/A | N/A | N/A | 13 | 86 | 25.5 | 3.883 | 63.62 |

Data Subject to Revision

R404A used in Medium Temp Applications

| Model | Oil Charge | | Weight Net Ship | | | | ELECTRICAL START COMPONENTS | | | DIMENSIONS | | | | | |
|------------|------------|-----|-----------------|------|------|------|-----------------------------|-----------------|------------|------------|--------|-------|--------|-------|--------|
| | | | | | | | Run Capacitor | Start Capacitor | G.E. | A | | B | | C | |
| | OZ | L | Lbs | Kg | Lbs | Kg | MFD/VOLTS | MFD/VOLTS | Relay | IN | MM | IN | MM | IN | MM |
| | | | | | | | | | | | | | | | |
| R92J163ABC | 35 | 1.0 | 58.5 | 26.5 | 62.0 | 28.1 | 35/370 | 145-175-330 | 3T | 11.70 | 297.18 | 13.70 | 347.98 | 14.00 | 355.60 |
| R92J183ABC | 35 | 1.0 | 58.5 | 26.5 | 62.0 | 28.1 | 35/370 | 145-175/330 | 3AAR3*3T* | 11.70 | 297.18 | 13.70 | 347.98 | 14.00 | 355.60 |
| R92J183ABK | 35 | 1.0 | 59.0 | 26.8 | 61.0 | 27.7 | 35/370 | 145-175/330 | 24AV | 11.70 | 297.18 | 13.70 | 347.98 | 14.00 | 355.60 |
| R92J183DBL | 35 | 1.0 | 62.5 | 28.3 | 66.0 | 29.9 | N/A | N/A | N/A | 11.70 | 297.18 | 13.70 | 347.98 | 14.00 | 355.60 |
| R92J183DBL | 35 | 1.0 | 62.5 | 28.3 | 66.0 | 29.9 | N/A | N/A | N/A | 11.70 | 297.18 | 13.70 | 347.98 | 14.00 | 355.60 |
| R92J203ABC | 35 | 1.0 | 59.0 | 26.8 | 64.0 | 29.0 | 30/370 | 145-175-330 | 3N | 13.50 | 342.90 | 13.70 | 347.98 | 14.00 | 355.60 |
| R92J203DBL | 35 | 1.0 | 59.0 | 26.8 | 64.0 | 29.0 | N/A | N/A | N/A | 13.50 | 342.90 | 13.70 | 347.98 | 14.00 | 355.60 |
| R92J203DBL | 35 | 1.0 | 59.0 | 26.8 | 64.0 | 29.0 | N/A | N/A | N/A | 13.50 | 342.90 | 13.70 | 347.98 | 14.00 | 355.60 |
| R92J203ABK | 35 | 1.0 | 63.0 | 28.6 | 67.0 | 30.4 | 35/370 | 145-175/250 | 3AP | 13.50 | 342.90 | 13.70 | 347.98 | 14.00 | 355.60 |
| R92J223ABC | 35 | 1.0 | 59.0 | 26.8 | 63.5 | 28.8 | 30/370 | 145-175/330 | 3ARR*3N* | 13.50 | 342.90 | 13.70 | 347.98 | 14.00 | 355.60 |
| R92J223ABK | 35 | 1.0 | 61.0 | 27.7 | 64.0 | 29.0 | 35/370 | 145-175/250 | 3ARR*3AP* | 13.50 | 342.90 | 13.70 | 347.98 | 14.00 | 355.60 |
| R92J223DBL | 35 | 1.0 | 59.0 | 26.8 | 63.0 | 28.6 | N/A | N/A | N/A | 13.50 | 342.90 | 13.70 | 347.98 | 14.00 | 355.60 |
| R92J223DBL | 35 | 1.0 | 59.0 | 26.8 | 63.0 | 28.6 | N/A | N/A | N/A | 13.50 | 342.90 | 13.70 | 347.98 | 14.00 | 355.60 |
| R92J223DBV | 35 | 1.0 | 71.0 | 32.2 | 74.0 | 33.6 | N/A | N/A | N/A | 13.50 | 342.90 | 13.70 | 347.98 | 14.00 | 355.60 |
| R92J223DBV | 35 | 1.0 | 71.0 | 32.2 | 74.0 | 33.6 | N/A | N/A | N/A | 13.50 | 342.90 | 13.70 | 347.98 | 14.00 | 355.60 |
| R92J243ABC | 35 | 1.0 | 59.0 | 26.8 | 64.0 | 29.0 | 35/370 | 145-173-370 | 3N | 13.50 | 342.90 | 13.70 | 347.98 | 14.00 | 355.60 |
| R92J243BBK | 35 | 1.0 | 63.0 | 28.6 | 67.0 | 30.4 | 30/440 | 145-175-250 | 3AP | 13.50 | 342.90 | 13.70 | 347.98 | 14.00 | 355.60 |
| R92J243DBL | 35 | 1.0 | 62.0 | 28.1 | 64.0 | 29.0 | N/A | N/A | N/A | 13.50 | 342.90 | 13.70 | 347.98 | 14.00 | 355.60 |
| R92J243DBL | 35 | 1.0 | 62.0 | 28.1 | 64.0 | 29.0 | N/A | N/A | N/A | 13.50 | 342.90 | 13.70 | 347.98 | 14.00 | 355.60 |
| R92J243DBV | 35 | 1.0 | 62.0 | 28.1 | 64.0 | 29.0 | N/A | N/A | N/A | 13.50 | 342.90 | 13.70 | 347.98 | 14.00 | 355.60 |
| R92J243DBV | 35 | 1.0 | 62.0 | 28.1 | 64.0 | 29.0 | N/A | N/A | N/A | 13.50 | 342.90 | 13.70 | 347.98 | 14.00 | 355.60 |
| R92J253ABC | 45 | 1.2 | 77.0 | 34.9 | 80.0 | 36.3 | 30/370 | 145-175/250 | 3ARR3-3S | 14.95 | 379.73 | 15.25 | 387.35 | 15.53 | 394.46 |
| R92J253ABK | 45 | 1.2 | 73.0 | 33.1 | 76.0 | 34.5 | 45/370 | 161-193/250 | 3ARR3*3AM* | 15.20 | 386.08 | 15.50 | 393.70 | 15.78 | 400.81 |
| R92J253DBL | 45 | 1.2 | 71.0 | 32.2 | 75.0 | 34.0 | N/A | N/A | N/A | 14.40 | 365.76 | 14.70 | 373.38 | 15.00 | 381.00 |
| R92J253DBL | 45 | 1.2 | 71.0 | 32.2 | 75.0 | 34.0 | N/A | N/A | N/A | 14.40 | 365.76 | 14.70 | 373.38 | 15.00 | 381.00 |
| R92J253DBV | 45 | 1.2 | 71.0 | 32.2 | 75.0 | 34.0 | N/A | N/A | N/A | 14.95 | 379.73 | 15.25 | 387.35 | 15.53 | 394.46 |
| R92J253DBV | 45 | 1.2 | 71.0 | 32.2 | 75.0 | 34.0 | N/A | N/A | N/A | 14.95 | 379.73 | 15.25 | 387.35 | 15.53 | 394.46 |
| R92J273ABC | 45 | 1.2 | 72.0 | 32.7 | 75.0 | 34.0 | 30/370 | 145-175/330 | 3ARR3*3S* | 14.92 | 378.97 | 15.25 | 387.35 | 15.53 | 394.46 |
| R92J273ABK | 45 | 1.2 | 72.0 | 32.7 | 75.0 | 34.0 | 45/370 | 161-193/250 | 3ARR3*3AM* | 14.92 | 378.97 | 15.25 | 387.35 | 15.53 | 394.46 |
| R92J273DBL | 45 | 1.2 | 72.0 | 32.7 | 75.0 | 34.0 | N/A | N/A | N/A | 14.92 | 378.97 | 15.25 | 387.35 | 15.53 | 394.46 |
| R92J273DBV | 45 | 1.2 | 72.0 | 32.7 | 75.0 | 34.0 | N/A | N/A | N/A | 14.92 | 378.97 | 15.25 | 387.35 | 15.53 | 394.46 |
| R92J273DBV | 45 | 1.2 | 72.0 | 32.7 | 75.0 | 34.0 | N/A | N/A | N/A | 14.92 | 378.97 | 15.25 | 387.35 | 15.53 | 394.46 |
| R92J323ABC | 35 | 1.0 | 72.0 | 32.7 | 75.0 | 34.0 | 40/370 | 145-175/250 | 3ARR3*3P* | 14.00 | 355.60 | 14.20 | 360.68 | 14.50 | 368.30 |
| R92J323DBL | 35 | 1.0 | 72.0 | 32.7 | 75.0 | 34.0 | N/A | N/A | N/A | 14.00 | 355.60 | 14.20 | 360.68 | 14.50 | 368.30 |
| R92J323DBL | 35 | 1.0 | 72.0 | 32.7 | 75.0 | 34.0 | N/A | N/A | N/A | 14.00 | 355.60 | 14.20 | 360.68 | 14.50 | 368.30 |
| R92J343ABC | 45 | 1.2 | 76. | | | | | | | | | | | | |

R92J SERIES

| Model | Volts Phase Hz | @20/120 | | | | | | | | | | | | |
|----------------------------|----------------|----------|-------|-------------------|---------|-----|----------|-------------------|-----|-----------------|-----|------|--------------|---------|
| | | Capacity | | Motor Input WATTS | EER/COP | | Capacity | Motor Input WATTS | EER | Electrical Data | | | Displacement | |
| | | BTU/H | WATTS | | BTU/WH | W/W | | | | BTU/H | RLA | LRA | MCC | IN3/REV |
| R92J SERIES (R404A) | | | | | | | | | | | | | | |
| R92J383ABK | 220-240/1/50 | 15650 | 4585 | 2330 | 6.7 | 2.0 | N/A | N/A | N/A | 11.8 | 80 | 21.8 | 3.883 | 63.62 |
| R92J383DBL | 200-220/3/50 | 15626 | 4572 | 2350 | 6.6 | 1.9 | N/A | N/A | N/A | 10.6 | 90 | 16.6 | 3.870 | 63.41 |
| R92J383DBL | 200-230/3/60 | 19254 | 5641 | 2780 | 6.9 | 2.0 | N/A | N/A | N/A | 9.5 | 88 | 16.5 | 3.870 | 63.41 |
| R92J383DBV | 380-415/3/50 | 15626 | 4578 | 2352 | 6.6 | 1.9 | N/A | N/A | N/A | 10.6 | 42 | 8.5 | 3.870 | 63.41 |
| R92J383DBV | 380-460/3/60 | 19250 | 5640 | 2770 | 6.9 | 2.0 | N/A | N/A | N/A | 4.7 | 42 | 8.5 | 3.870 | 63.41 |
| R92J433ABC | 208-230/1/60 | 23500 | 6885 | 3278 | 7.2 | 2.1 | N/A | N/A | N/A | 15.5 | 102 | 26 | 4.310 | 70.62 |
| R92J433ABK | 220-240/1/50 | 19260 | 5643 | 2677 | 7.2 | 2.1 | N/A | N/A | N/A | 12.7 | 80 | 22 | 4.310 | 70.62 |
| R92J433DBL | 200-220/3/50 | 18366 | 5381 | 2679 | 7.0 | 2.1 | N/A | N/A | N/A | 11.1 | 90 | 16 | 4.310 | 70.62 |
| R92J433DBL | 200-230/3/60 | 23978 | 7025 | 3268 | 7.3 | 2.1 | N/A | N/A | N/A | 10.2 | 88 | 17 | 4.310 | 70.62 |
| R92J433DBV | 380-415/3/50 | 18200 | 5348 | 2577 | 7.1 | 2.1 | N/A | N/A | N/A | 4.9 | 42 | 8 | 4.310 | 70.62 |
| R92J433DBV | 380-460/3/60 | 22900 | 6709 | 3282 | 7.0 | 2.1 | N/A | N/A | N/A | 5 | 42 | 8.2 | 4.310 | 70.62 |
| R92J493ABC | 208-230-1/60 | 26700 | 7823 | 3750 | 7.0 | 2.1 | N/A | N/A | N/A | 18.4 | 130 | 34 | 4.710 | 77.18 |
| R92J493DBL | 200-230/3/60 | 26000 | 7618 | 3755 | 7.0 | 2.1 | N/A | N/A | N/A | 10.4 | 110 | 16 | 4.710 | 77.18 |

Data Subject to Revision

R404A used in Medium Temp Applications

| Model | Oil Charge | | Weight | | | | ELECTRICAL START COMPONENTS | | | DIMENSIONS | | | | | |
|------------|------------|-----|--------|------|------|------|-----------------------------|-----------------|----------|------------|-----------|-------|--------|-------|--------|
| | | | | | | | Run Capacitor | Start Capacitor | G.E. | A | | B | | C | |
| | OZ | L | Lbs | Kg | Lbs | Kg | | | | MFD/VOLTS | MFD/VOLTS | Relay | IN | MM | IN |
| R92J383ABK | 45 | 1.2 | 77.0 | 34.9 | 80.0 | 36.3 | 50/370 | 161-193/250 | 24AV | 15.50 | 393.70 | 15.80 | 401.32 | 16.00 | 406.40 |
| R92J383DBL | 45 | 1.2 | 72.0 | 32.7 | 75.0 | 34.0 | N/A | N/A | N/A | 15.50 | 393.70 | 15.80 | 401.32 | 16.00 | 406.40 |
| R92J383DBL | 45 | 1.2 | 72.0 | 32.7 | 75.0 | 34.0 | N/A | N/A | N/A | 15.50 | 393.70 | 15.80 | 401.32 | 16.00 | 406.40 |
| R92J383DBV | 45 | 1.2 | 72.0 | 32.7 | 75.0 | 34.0 | N/A | N/A | N/A | 15.50 | 393.70 | 15.80 | 401.32 | 16.00 | 406.40 |
| R92J383DBV | 45 | 1.2 | 72.0 | 32.7 | 75.0 | 34.0 | N/A | N/A | N/A | 15.50 | 393.70 | 15.80 | 401.32 | 16.00 | 406.40 |
| R92J433ABC | 45 | 1.2 | 81.0 | 36.7 | 84.0 | 38.1 | 50/370 | 216-259/330 | 3ARR*3S* | 15.42 | 391.67 | 15.72 | 399.29 | 16.00 | 406.40 |
| R92J433ABK | 45 | 1.2 | 75.0 | 34.0 | 78.0 | 35.4 | 50/370 | 161-193/250 | 3ARR*3S* | 15.42 | 391.67 | 15.72 | 399.29 | 16.00 | 406.40 |
| R92J433DBL | 45 | 1.2 | 79.0 | 35.8 | 82.5 | 37.4 | N/A | N/A | N/A | 15.50 | 393.70 | 15.80 | 401.32 | 16.00 | 406.40 |
| R92J433DBL | 45 | 1.2 | 79.0 | 35.8 | 82.5 | 37.4 | N/A | N/A | N/A | 15.50 | 393.70 | 15.80 | 401.32 | 16.00 | 406.40 |
| R92J433DBV | 45 | 1.2 | 79.0 | 35.8 | 82.5 | 37.4 | N/A | N/A | N/A | 15.50 | 393.70 | 15.80 | 401.32 | 16.00 | 406.40 |
| R92J433DBV | 45 | 1.2 | 79.0 | 35.8 | 82.5 | 37.4 | N/A | N/A | N/A | 15.50 | 393.70 | 15.80 | 401.32 | 16.00 | 406.40 |
| R92J493ABC | 45 | 1.2 | 87.0 | 39.5 | 90.0 | 40.8 | 60/370 | 189-227-330 | 3S | 15.50 | 393.70 | 15.80 | 401.32 | 16.20 | 411.48 |
| R92J493DBL | 45 | 1.2 | 83.5 | 37.9 | 86.5 | 39.2 | N/A | N/A | N/A | 15.50 | 393.70 | 15.80 | 401.32 | 16.20 | 411.48 |

R92J SERIES

| Model | Volts Phase Hz | @45/130 | | | | | @45/100 | | | | | Electrical Data | | | Displacement | |
|-------|----------------|----------|-------|-------------------|---------|-----|----------|-------------------|-----|-----|-----|-----------------|---------|---------|--------------|--------|
| | | Capacity | | Motor Input WATTS | EER/COP | | Capacity | Motor Input WATTS | EER | RLA | LRA | MCC | IN3/REV | CM3/REV | | |
| | | BTU/H | WATTS | | BTU/WH | W/W | | | | | | | | | BTU/H | BTU/WH |

R92J SERIES (R407C)

| | | | | | | | | | | | | | | |
|------------|--------------|-------|-------|------|------|-----|-------|------|------|------|-----|------|-------|-------|
| R92J183ABC | 208-230/1/60 | 17600 | 5157 | 1660 | 10.6 | 3.1 | 24800 | 1360 | 18.1 | 7.2 | 43 | 13 | 2.144 | 35.13 |
| R92J183ABK | 220-240/1/50 | 14300 | 4190 | 1380 | 10.4 | 3.0 | 20600 | 1160 | 17.7 | 6.3 | 37 | 10.5 | 2.144 | 35.13 |
| R92J183DBL | 200-220/3/50 | 15000 | 4395 | 1470 | 10.2 | 3.0 | 21100 | 1240 | 19.2 | 6.3 | 64 | 11 | 2.144 | 35.13 |
| R92J183DBL | 200-230/3/60 | 17900 | 5245 | 1340 | 10.7 | 3.1 | 24800 | 1400 | 17.7 | 5.8 | 63 | 11.4 | 2.144 | 35.13 |
| R92J223ABC | 208-230/1/60 | 20300 | 5948 | 1990 | 10.2 | 3.0 | 28500 | 1630 | 17.5 | 7.8 | 61 | 15 | 2.539 | 41.60 |
| R92J223ABK | 220-240/1/50 | 17800 | 5215 | 1690 | 10.5 | 3.1 | 25000 | 1400 | 17.9 | 8 | 48 | 13 | 2.539 | 41.60 |
| R92J223DBL | 200-220/3/50 | 19200 | 5626 | 1800 | 10.7 | 3.1 | 25800 | 1410 | 18.3 | 7 | 64 | 14 | 2.539 | 41.60 |
| R92J223DBL | 200-230/3/60 | 21400 | 6270 | 1990 | 10.8 | 3.2 | 29800 | 1660 | 18.0 | 6.6 | 63 | 13.6 | 2.539 | 41.60 |
| R92J223DBV | 380-415/3/50 | 18000 | 5274 | 1720 | 10.5 | 3.1 | 25300 | 1420 | 17.8 | 3.7 | 30 | 6 | 2.539 | 41.60 |
| R92J223DBV | 380-460/3/60 | 21100 | 6182 | 1980 | 10.7 | 3.1 | 29900 | 1650 | 18.1 | 3.1 | 30 | 6 | 2.539 | 41.60 |
| R92J253ABC | 208-230/1/60 | 23700 | 6944 | 2210 | 10.7 | 3.1 | 32500 | 1770 | 18.3 | 10.6 | 61 | 17.3 | 2.765 | 45.30 |
| R92J253ABK | 220-240/1/50 | 20800 | 6094 | 1870 | 11.1 | 3.3 | 28200 | 1510 | 18.7 | 8.8 | 64 | 18.5 | 2.765 | 45.30 |
| R92J253DBL | 200-220/3/50 | 20000 | 5860 | 1900 | 10.5 | 3.1 | 27500 | 1560 | 17.6 | 7.2 | 64 | 12 | 2.765 | 45.30 |
| R92J253DBL | 200-230/3/60 | 23800 | 6973 | 2180 | 10.9 | 3.2 | 32300 | 1770 | 18.2 | 7 | 63 | 13.5 | 2.765 | 45.30 |
| R92J253DBV | 380-415/3/50 | 20000 | 5860 | 1900 | 10.5 | 3.1 | 27500 | 1560 | 17.6 | 3.5 | 30 | 6.1 | 2.765 | 45.30 |
| R92J253DBV | 380-460/3/60 | 23800 | 6973 | 2180 | 10.9 | 3.2 | 32300 | 1770 | 18.2 | 3.5 | 30 | 6.1 | 2.765 | 45.30 |
| R92J273ABC | 208-230/1/60 | 25400 | 7442 | 2330 | 10.9 | 3.2 | 34400 | 1810 | 19.0 | 10.6 | 61 | 18 | 2.915 | 47.76 |
| R92J323ABC | 208-230/1/60 | 28500 | 8351 | 2670 | 10.7 | 3.1 | 38600 | 2170 | 17.7 | 12.3 | 82 | 24.5 | 3.281 | 53.76 |
| R92J323DBL | 200-220/3/50 | 20000 | 5860 | 1900 | 10.5 | 3.1 | 32300 | 1770 | 18.2 | 8.9 | 71 | 16 | 3.281 | 53.76 |
| R92J323DBL | 200-230/3/60 | 28800 | 8438 | 2730 | 10.5 | 3.1 | 38900 | 2230 | 17.5 | 8.5 | 78 | 17 | 3.281 | 53.76 |
| R92J343ABC | 208-230/1/60 | 31700 | 9288 | 2970 | 10.7 | 3.1 | 41800 | 2310 | 18.1 | 13 | 78 | 25.1 | 3.531 | 57.85 |
| R92J343DBL | 200-220/3/50 | 26300 | 7706 | 2470 | 10.6 | 3.1 | 35200 | 1940 | 18.1 | 9.3 | 76 | 16 | 3.531 | 57.85 |
| R92J343DBL | 200-230/3/60 | 33300 | 9757 | 2970 | 11.2 | 3.3 | 43600 | 2310 | 18.9 | 8.5 | 72 | 15 | 3.531 | 57.85 |
| R92J343DBV | 380-415/3/50 | 26300 | 7706 | 2470 | 10.6 | 3.1 | 35200 | 1940 | 18.1 | 5.1 | 45 | 8.3 | 3.531 | 57.85 |
| R92J343DBV | 380-460/3/60 | 33300 | 9757 | 2970 | 11.2 | 3.3 | 43700 | 2310 | 18.9 | 4.9 | 45 | 8 | 3.531 | 57.85 |
| R92J383ABC | 208-230/1/60 | 36500 | 10695 | 3280 | 11.1 | 3.3 | 47700 | 2630 | 18.1 | 14.6 | 86 | 24.5 | 3.883 | 63.62 |
| R92J383ABK | 220-240/1/50 | 31500 | 9230 | 2810 | 11.2 | 3.3 | 41700 | 2220 | 18.8 | 13.2 | 80 | 24.2 | 3.883 | 63.62 |
| R92J383DBL | 200-220/3/50 | 30200 | 8849 | 2740 | 11.0 | 3.2 | 40100 | 2160 | 18.6 | 11.4 | 90 | 17 | 3.870 | 63.41 |
| R92J383DBL | 200-230/3/60 | 35200 | 10314 | 3180 | 11.1 | 3.3 | 47000 | 2530 | 18.6 | 10.2 | 88 | 17.5 | 3.870 | 63.41 |
| R92J383DBV | 380-415/3/50 | 30200 | 8849 | 2740 | 11.0 | 3.2 | 40100 | 2160 | 18.6 | 5.1 | 42 | 9 | 3.870 | 63.41 |
| R92J383DBV | 380-460/3/60 | 35300 | 10343 | 3180 | 11.1 | 3.3 | 47000 | 2530 | 18.6 | 5 | 42 | 8.5 | 3.870 | 63.41 |
| R92J433ABC | 208-230/1/60 | 39700 | 11632 | 3660 | 10.8 | 3.2 | 51700 | 2950 | 17.7 | 17 | 102 | 30 | 4.310 | 70.62 |
| R92J433ABK | 220-240/1/50 | 32900 | 9640 | 3140 | 10.5 | 3.1 | 43600 | 2420 | 18.0 | 15 | 80 | 25 | 4.310 | 70.62 |
| R92J433DBL | 200-220/3/50 | 37700 | 11046 | 3300 | 11.4 | 3.3 | 43800 | 2420 | 18.1 | 11.6 | 90 | 19 | 4.310 | 70.62 |
| R92J433DBL | 200-230/3/60 | 40100 | 11749 | 3640 | 10.5 | 3.1 | 51500 | 2930 | 17.6 | 11.6 | 88 | 18 | 4.310 | 70.62 |
| R92J433DBV | 380-415/3/50 | 33100 | 9698 | 3130 | 10.6 | 3.1 | 43700 | 2410 | 18.1 | 6 | 42 | 8.5 | 4.310 | 70.62 |
| R92J433DBV | 380-460/3/60 | 39700 | 11632 | 3660 | 10.8 | 3.2 | 51700 | 2920 | 17.7 | 5.5 | 42 | 9 | 4.310 | 70.62 |

Data Subject to Revision

R407C used in High Temp Applications

| Model | Oil Charge | | Weight Net Ship | | | | ELECTRICAL START COMPONENTS | | | DIMENSIONS | | | | | |
|------------|------------|-----|-----------------|------|------|------|-----------------------------|-----------------|------------|------------|--------|-------|--------|-------|--------|
| | | | | | | | Run Capacitor | Start Capacitor | G.E. | A | | B | | C | |
| | OZ | L | Lbs | Kg | Lbs | Kg | MFD/VOLTS | MFD/VOLTS | Relay | IN | MM | IN | MM | IN | MM |
| R92J183ABC | 35 | 1.0 | 58.5 | 26.5 | 62.0 | 28.1 | 35/370 | 145-175/330 | 3AAR3*3T* | 11.70 | 297.18 | 13.70 | 347.98 | 14.00 | 355.60 |
| R92J183ABK | 35 | 1.0 | 59.0 | 26.8 | 61.0 | 27.7 | 35/370 | 145-175/330 | 24AV | 11.70 | 297.18 | 13.70 | 347.98 | 14.00 | 355.60 |
| R92J183DBL | 35 | 1.0 | 62.5 | 28.3 | 66.0 | 29.9 | N/A | N/A | N/A | 11.70 | 297.18 | 13.70 | 347.98 | 14.00 | 355.60 |
| R92J183DBL | 35 | 1.0 | 62.5 | 28.3 | 66.0 | 29.9 | N/A | N/A | N/A | 11.70 | 297.18 | 13.70 | 347.98 | 14.00 | 355.60 |
| R92J223ABC | 35 | 1.0 | 59.0 | 26.8 | 63.5 | 28.8 | 30/370 | 145-175/330 | 3ARR*3N* | 13.50 | 342.90 | 13.70 | 347.98 | 14.00 | 355.60 |
| R92J223ABK | 35 | 1.0 | 61.0 | 27.7 | 64.0 | 29.0 | 35/370 | 145-175/250 | 3ARR3*3AP* | 13.50 | 342.90 | 13.70 | 347.98 | 14.00 | 355.60 |
| R92J223DBL | 35 | 1.0 | 59.0 | 26.8 | 63.0 | 28.6 | N/A | N/A | N/A | 13.50 | 342.90 | 13.70 | 347.98 | 14.00 | 355.60 |
| R92J223DBV | 35 | 1.0 | 71.0 | 32.2 | 74.0 | 33.6 | N/A | N/A | N/A | 13.50 | 342.90 | 13.70 | 347.98 | 14.00 | 355.60 |
| R92J223DBV | 35 | 1.0 | 71.0 | 32.2 | 74.0 | 33.6 | N/A | N/A | N/A | 13.50 | 342.90 | 13.70 | 347.98 | 14.00 | 355.60 |
| R92J253ABC | 45 | 1.2 | 77.0 | 34.9 | 80.0 | 36.3 | 30/370 | 145-175/250 | 3ARR3-3S | 14.95 | 379.73 | 15.25 | 387.35 | 15.53 | 394.46 |
| R92J253ABK | 45 | 1.2 | 73.0 | 33.1 | 76.0 | 34.5 | 45/370 | 161-193/250 | 3ARR3*3AM* | 15.20 | 386.08 | 15.50 | 393.70 | 15.78 | 400.81 |
| R92J253DBL | 45 | 1.2 | 71.0 | 32.2 | 75.0 | 34.0 | N/A | N/A | N/A | 14.40 | 365.76 | 14.70 | 373.38 | 15.00 | 381.00 |
| R92J253DBL | 45 | 1.2 | 71.0 | 32.2 | 75.0 | 34.0 | N/A | N/A | N/A | 14.40 | 365.76 | 14.70 | 373.38 | 15.00 | 381.00 |
| R92J253DBV | 45 | 1.2 | 71.0 | 32.2 | 75.0 | 34.0 | N/A | N/A | N/A | 14.95 | 379.73 | 15.25 | 387.35 | 15.53 | 394.46 |
| R92J253DBV | 45 | 1.2 | 71.0 | 32.2 | 75.0 | 34.0 | N/A | N/A | N/A | 14.95 | 379.73 | 15.25 | 387.35 | 15.53 | 394.46 |
| R92J273ABC | 45 | 1.2 | 72.0 | 32.7 | 75.0 | 34.0 | 30/370 | 145-175/330 | 3ARR3*3S* | 14.92 | 378.97 | 15.25 | 387.35 | 15.53 | 394.46 |
| R92J323ABC | 35 | 1.0 | 68.5 | 31.1 | 72.0 | 32.7 | 40/370 | 145-175/250 | 3ARR3*3P* | 14.00 | 355.60 | 14.20 | 360.68 | 14.50 | 368.30 |
| R92J323DBL | 35 | 1.0 | 67.5 | 30.6 | 71.0 | 32.2 | N/A | N/A | N/A | 14.00 | 355.60 | 14.20 | 360.68 | 14.50 | 368.30 |
| R92J323DBL | 35 | 1.0 | 67.5 | 30.6 | 71.0 | 32.2 | N/A | N/A | N/A | 14.00 | 355.60 | 14.20 | 360.68 | 14.50 | 368.30 |
| R92J343ABC | 45 | 1.2 | 76.0 | 34.5 | 79.0 | 35.8 | 45/370 | 189-227/250 | 3ARR*3S* | 15.17 | 385.32 | 15.50 | 393.70 | 15.78 | 400.81 |
| R92J343DBL | 45 | 1.2 | 71.0 | 32.2 | 74.0 | 33.6 | N/A | N/A | N/A | 15.17 | 385.32 | 15.50 | 393.70 | 15.78 | 400.81 |
| R92J343DBL | 45 | 1.2 | 71.0 | 32.2 | 74.0 | 33.6 | N/A | N/A | N/A | 15.17 | 385.32 | 15.50 | 393.70 | 15.78 | 400.81 |
| R92J343DBV | 45 | 1.2 | 71.5 | 32.4 | 74.5 | 33.8 | N/A | N/A | N/A | 15.20 | 386.08 | 15.50 | 393.70 | 15.80 | 401.32 |
| R92J343DBV | 45 | 1.2 | 71.5 | 32.4 | 74.5 | 33.8 | N/A | N/A | N/A | 15.20 | 386.08 | 15.50 | 393.70 | 15.80 | 401.32 |
| R92J383ABC | 45 | 1.2 | 77.0 | 34.9 | 80.0 | 36.3 | 45/370 | 189-227/250 | 3ARR3*3S* | 15.50 | 393.70 | 15.80 | 401.32 | 16.00 | 406.40 |
| R92J383ABK | 45 | 1.2 | 77.0 | 34.9 | 80.0 | 36.3 | 50/370 | 161-193/250 | 3ARR*3AN* | 15.50 | 393.70 | 15.80 | 401.32 | 16.00 | 406.40 |
| R92J383DBL | 45 | 1.2 | 72.0 | 32.7 | 75.0 | 34.0 | N/A | N/A | N/A | 15.50 | 393.70 | 15.80 | 401.32 | 16.00 | 406.40 |
| R92J383DBL | 45 | 1.2 | 72.0 | 32.7 | 75.0 | 34.0 | N/A | N/A | N/A | 15.50 | 393.70 | 15.80 | 401.32 | 16.00 | 406.40 |
| R92J383DBV | 45 | 1.2 | 72.0 | 32.7 | 75.0 | 34.0 | N/A | N/A | N/A | 15.50 | 393.70 | 15.80 | 401.32 | 16.00 | 406.40 |
| R92J383DBV | 45 | 1.2 | 72.0 | 32.7 | 75.0 | 34.0 | N/A | N/A | N/A | 15.50 | 393.70 | 15.80 | 401.32 | 16.00 | 406.40 |
| R92J433ABC | 45 | 1.2 | 81.0 | 36.7 | 84.0 | 38.1 | 50/370 | 216-259/330 | 3ARR3*3S* | 15.42 | 391.67 | 15.72 | 399.29 | 16.00 | 406.40 |
| R92J433ABK | 45 | 1.2 | 75.0 | 34.0 | 78.0 | 35.4 | 50/370 | 161-193/250 | 3ARR3*3S* | 15.42 | 391.67 | 15.72 | 399.29 | 16.00 | 406.40 |
| R92J433DBL | 45 | 1.2 | 79.0 | 35.8 | 82.5 | 37.4 | N/A | N/A | N/A | 15.50 | 393.70 | 15.80 | 401.32 | 16.00 | 406.40 |
| R92J433DBL | 45 | 1.2 | 79.0 | 35.8 | 82.5 | 37.4 | N/A | N/A | N/A | 15.50 | 393.70 | 15.80 | 401.32 | 16.00 | 406.40 |
| R92J433DBV | 45 | 1.2 | 79.0 | 35.8 | 82.5 | 37.4 | N/A | N/A | N/A | 15.50 | 393.70 | 15.80 | 401.32 | 16.00 | 406.40 |
| R92J433DBV | 45 | 1.2 | 79.0 | 35.8 | 82.5 | 37.4 | N/A | N/A | N/A | 15.50 | 393.70 | 15.80 | 401.32 | 16.00 | 406.40 |

PLEASE NOTE:
**MODELS LISTED ON THE
FOLLOWING PAGES
HAVE BEEN MADE
OBSOLETE BY
BRISTOL COMPRESSORS.**

**ALL TECHNICAL DATA
CAN BE FOUND @
WWW.BRISTOLCOMPRESSORS.COM**



Obsolete Models

| | | | | | | | | | |
|------------|------------|------------|------------|------------|------------|------------|------------|------------|------------|
| H20B133ABC | H20C403ABK | H20R683DBF | H21R543DBY | H23B18SABC | H23B243DBE | H23B30QABC | H23C403DBE | H23R753DBD | H24B22QABJ |
| H20B153ABC | H20C403DBE | H20R683DBY | H21R583ABC | H23B18SABH | H23B24QABC | H23B30QABJ | H23C403DBF | H23R753DBD | H24B243ABJ |
| H20B153ABH | H20C403DBE | H20R723ABC | H21R583CBC | H23B18SABH | H23B24QABJ | H23B30QABK | H23C423ABC | H23R753DBE | H24B243ABK |
| H20B153ABH | H20C403DBY | H20R723DBE | H21R583DBE | H23B193ABC | H23B24QABK | H23B30QDBD | H23C423DBD | H23R753DBE | H24B24QABC |
| H20B153ABJ | H20C423ABC | H20R723DBE | H21R583DBE | H23B193ABK | H23B24QDBD | H23B30QDBD | H23C423DBD | H23R813ABC | H24B24QABH |
| H20B173ABC | H20C423DBE | H20R723DBF | H21R583DBF | H23B19QABC | H23B24QDBD | H23B30QDBE | H23C423DBE | H23R813DBE | H24B24QABH |
| H20B173ABH | H20C423DBF | H20R723DBX | H21R583DBY | H23B19QABJ | H23B24QDBE | H23B30QDBE | H23C423DBE | H23R813DBE | H24B24QABJ |
| H20B173ABH | H20C423DBX | H20R723DBY | H21R603ABC | H23B19QABK | H23B24QDBE | H23B30SABC | H23C423DBF | H24A383ABC | H24B26QABC |
| H20B173ABJ | H20C423DBY | H20R753ABC | H21R603CBC | H23B203ABC | H23B24SABC | H23B30SABH | H23C453ABC | H24A383ABK | H24B26QABH |
| H20B193ABH | H20D943DBE | H20R753DBE | H21R603DBE | H23B203ABK | H23B24SABH | H23B30SABH | H23C453ABK | H24A383DBE | H24B26QABH |
| H20B193ABJ | H20D943DBE | H20R753DBE | H21R603DBE | H23B203DBD | H23B24SABH | H23B323ABC | H23C453DBD | H24A383DBE | H24B283ABK |
| H20B193ABK | H20D943DBF | H20R753DBX | H22R583ABC | H23B203DBD | H23B263ABC | H23B323ABJ | H23C453DBD | H24A383DBF | H24B28QABC |
| H20B203ABC | H20D943DBL | H20R783DBE | H22R603ABC | H23B203DBE | H23B263ABK | H23B323ABK | H23C453DBE | H24A383DBF | H24B28QABH |
| H20B203ABK | H20D943DBL | H20R783DBE | H23A263ABC | H23B203DBE | H23B263DBD | H23B323DBD | H23C453DBE | H24A383DBL | H24B28QABH |
| H20B213ABC | H20J253DBL | H20R813ABC | H23A263ABH | H23B20QABC | H23B263DBD | H23B323DBD | H23C453DBF | H24A383DBL | H24B28QABJ |
| H20B223ABC | H20J253DBL | H20R813DBE | H23A263ABH | H23B20QABK | H23B263DBE | H23B323DBE | H23C473ABC | H24A423ABC | H24B29QABC |
| H20B223ABH | H20J253DBV | H20R813DBE | H23A263ABJ | H23B20QDBD | H23B263DBE | H23B323DBE | H23C473ABK | H24A423ABK | H24B29QABK |
| H20B223ABH | H20J253DBV | H20R813DBF | H23A263DBE | H23B20QDBD | H23B26QABC | H23B32QABC | H23C473DBD | H24A423DBE | H24B31QABC |
| H20B223ABJ | H20R104DBE | H20R813DBL | H23A263DBE | H23B20QDBE | H23B26QABK | H23B32QABJ | H23C473DBD | H24A423DBE | H24B31QABJ |
| H20B243ABC | H20R104DBE | H20R813DBL | H23A263DBL | H23B20QDBE | H23B26QDBD | H23B32QABK | H23C473DBE | H24A423DBF | H24B31QABK |
| H20B243ABH | H20R124DBE | H20R943DBE | H23A263DBL | H23B20SABC | H23B26QDBD | H23B32QDBD | H23C473DBE | H24A423DBF | H25A32QCBC |
| H20B243ABH | H20R124DBE | H20R943DBE | H23A283ABC | H23B20SABH | H23B26QDBE | H23B32QDBD | H23C473DBF | H24A423DBL | H25A32QDBE |
| H20B243ABJ | H20R124DBY | H20R943DBF | H23A283ABK | H23B20SABH | H23B26QDBE | H23B32QDBE | H23R483ABC | H24A423DBL | H25A32QDBE |
| H20B263ABC | H20R453ABC | H20R943DBL | H23A323ABC | H23B213ABJ | H23B26SABC | H23B32QDBE | H23R513ABC | H24A583CBC | H25A32QDBF |
| H20B263ABH | H20R453ABK | H20R943DBL | H23A323ABH | H23B21QABJ | H23B26SABH | H23B32SABC | H23R513DBD | H24A583DBE | H25A32QDBF |
| H20B263ABH | H20R453DBE | H21C263ABC | H23A323ABH | H23B223ABC | H23B26SABH | H23B33SABC | H23R513DBD | H24A583DBE | H25A32QDBL |
| H20B283ABC | H20R453DBE | H21C293ABC | H23A323DBE | H23B223ABH | H23B283ABC | H23B33SABH | H23R513DBE | H24A583DBL | H25A32QDBL |
| H20B283ABH | H20R453DBX | H21C343ABC | H23A323DBE | H23B223ABH | H23B283ABH | H23B33SABH | H23R513DBE | H24A583DBL | H25A35QCBC |
| H20B283ABH | H20R453DBY | H21C343DBE | H23A323DBL | H23B223ABJ | H23B283ABJ | H23B353ABK | H23R543ABC | H24B13QABC | H25A35QDBE |
| H20B283ABJ | H20R483ABC | H21C343DBE | H23A323DBL | H23B223DBD | H23B283DBD | H23B353DBE | H23R543DBD | H24B15QABC | H25A35QDBE |
| H20B293ABC | H20R483DBE | H21C343DBY | H23B153ABC | H23B223DBD | H23B283DBD | H23B353DBE | H23R543DBD | H24B15QABH | H25A35QDBF |
| H20B293ABK | H20R483DBE | H21C383ABC | H23B153ABH | H23B223DBE | H23B283DBE | H23B35QABK | H23R543DBE | H24B15QABH | H25A35QDBF |
| H20B313ABC | H20R483DBY | H21C403ABC | H23B153ABH | H23B223DBE | H23B283DBE | H23B35QDBD | H23R543DBE | H24B15QABJ | H25A35QDBL |
| H20B313ABJ | H20R583ABC | H21C423ABC | H23B153ABJ | H23B22QABC | H23B28QABC | H23B35QDBD | H23R543DBF | H24B17QABC | H25A35QDBL |
| H20B313ABK | H20R583ABK | H21C423DBE | H23B15QABC | H23B22QABH | H23B28QABH | H23B35QDBE | H23R583ABC | H24B17QABH | H25A38QCBC |
| H20C233ABC | H20R583DBE | H21C423DBE | H23B15QABH | H23B22QABH | H23B28QABH | H23B35QDBE | H23R583ABK | H24B17QABH | H25A38QDBE |
| H20C303ABC | H20R583DBE | H21C423DBF | H23B15QABH | H23B22QABJ | H23B28QABJ | H23B35SABC | H23R583DBD | H24B17QABJ | H25A38QDBE |
| H20C343ABC | H20R583DBF | H21C423DBY | H23B15QABJ | H23B22QDBD | H23B28QDBD | H23C323ABC | H23R583DBD | H24B17QDBL | H25A38QDBF |
| H20C343ABK | H20R583DBX | H21R453ABC | H23B16SABC | H23B22QDBD | H23B28QDBD | H23C343ABC | H23R583DBE | H24B17QDBL | H25A38QDBF |
| H20C343DBE | H20R583DBY | H21R453DBE | H23B173ABC | H23B22QDBE | H23B28QDBE | H23C383ABC | H23R583DBE | H24B183ABK | H25A38QDBL |
| H20C343DBE | H20R603ABC | H21R453DBE | H23B173ABH | H23B22QDBE | H23B28QDBE | H23C383ABK | H23R583DBF | H24B19QABC | H25A38QDBL |
| H20C343DBY | H20R603ABK | H21R453DBY | H23B173ABH | H23B22SABC | H23B28SABC | H23C383DBD | H23R603ABC | H24B19QABH | H25A42QCBC |
| H20C373ABC | H20R603DBE | H21R483ABC | H23B173ABJ | H23B22SABH | H23B28SABH | H23C383DBD | H23R603ABK | H24B19QABJ | H25A42QDBE |
| H20C373ABK | H20R603DBE | H21R483CBC | H23B17QABC | H23B22SABH | H23B28SABH | H23C383DBE | H23R603DBD | H24B19QABK | H25A42QDBE |
| H20C373DBE | H20R603DBF | H21R483DBE | H23B17QABH | H23B243ABC | H23B303ABC | H23C383DBE | H23R603DBD | H24B20QABC | H25A42QDBF |
| H20C373DBE | H20R603DBX | H21R483DBE | H23B17QABH | H23B243ABJ | H23B303ABK | H23C383DBF | H23R603DBE | H24B20QABK | H25A42QDBF |
| H20C373DBF | H20R603DBY | H21R483DBY | H23B17QABJ | H23B243ABK | H23B303DBD | H23C403ABC | H23R603DBE | H24B21QABC | H25A42QDBL |
| H20C373DBX | H20R683ABC | H21R513DBY | H23B17SABC | H23B243DBD | H23B303DBD | H23C403DBD | H23R603DBF | H24B22QABC | H25A42QDBL |
| H20C373DBY | H20R683DBE | H21R543ABC | H23B17SABH | H23B243DBD | H23B303DBE | H23C403DBD | H23R683ABC | H24B22QABH | H25A46QCBC |
| H20C403ABC | H20R683DBE | H21R543DBE | H23B17SABH | H23B243DBE | H23B303DBE | H23C403DBE | H23R723ABC | H24B22QABH | H25A46QDBE |

Obsolete Models

| | | | | | | | | | |
|------------|------------|------------|------------|------------|------------|------------|------------|------------|------------|
| H25A46QDBE | H25B24QABH | H25D11QDBE | H25G184DPF | H26A46QDBL | H26D36QBBC | H27B20QCBC | H2NG104DRE | H73A303DBE | H73R813DBE |
| H25A46QDBF | H25B24QDBE | H25D11QDBE | H25G204DPD | H26A50QCBC | H26D413BBH | H27B22QCBC | H2NG104DRE | H73A303DBL | H75G204DPV |
| H25A46QDBF | H25B24QDBE | H25D11QDBF | H25G204DPD | H26A50QDBE | H26D413BBH | H27B24QCBC | H2NG104DRF | H73A323ABH | H75G204DPV |
| H25A46QDBL | H25B24QDBL | H25D11QDBF | H25G204DPE | H26A50QDBE | H26D44QBBC | H27B26QCBC | H2NG124DPD | H73A323DBE | H75G244DPV |
| H25A46QDBL | H25B24QDBL | H25D11QDBL | H25G204DPE | H26A50QDBF | H26D493BBH | H27B28QCBC | H2NG124DPD | H73A323DBL | H75G244DPV |
| H25A50QCBC | H25B26QABC | H25D11QDBL | H25G204DPF | H26A50QDBF | H26D493BBH | H27B30QCBC | H2NG124DPE | H73B17QABC | H75G294DPV |
| H25A50QDBE | H25B26QABH | H25D12QDBE | H25G244DPD | H26A50QDBL | H26D56QBBC | H27B32QCBC | H2NG124DPE | H73B17QABH | H75G294DPV |
| H25A50QDBE | H25B26QABH | H25D12QDBE | H25G244DPD | H26A50QDBL | H26D573BBH | H27B35QCBC | H2NG124DPF | H73B19QABK | H78A383DBF |
| H25A50QDBF | H25B28QABC | H25D12QDBF | H25G244DPE | H26A54QCBC | H26D573BBH | H29A323CBC | H2NG144DPD | H73B20QABK | H78A383DBF |
| H25A50QDBF | H25B28QABH | H25D12QDBF | H25G244DPE | H26A54QDBE | H26D673BBH | H29A323DBF | H2NG144DPD | H73B20QDBE | H78A383DBL |
| H25A50QDBL | H25B28QABH | H25D12QDBL | H25G244DPF | H26A54QDBE | H26D673BBH | H29A323DBF | H2NG144DPE | H73B22QABC | H78A383DBL |
| H25A50QDBL | H25B28QDBE | H25D12QDBL | H25G294DPD | H26A54QDBF | H27A32QCBC | H29A323DBL | H2NG144DPE | H73B22QABH | H78A383DBV |
| H25A54QCBC | H25B28QDBE | H25D14QDBE | H25G294DPD | H26A54QDBF | H27A32QDBE | H29A323DBL | H2NG144DPF | H73B22QDBE | H78A383DBV |
| H25A54QDBE | H25B28QDBL | H25D14QDBE | H25G294DPE | H26A54QDBL | H27A32QDBF | H29A323DBV | H70C233DBE | H73B24QABK | H78A423ABK |
| H25A54QDBE | H25B28QDBL | H25D14QDBF | H25G294DPE | H26A54QDBL | H27A32QDBL | H29A323DBV | H70C343ABK | H73B24QDBE | H78A423DBF |
| H25A54QDBF | H25B30QABC | H25D14QDBF | H25G294DPF | H26A56QCBC | H27A35QCBC | H29A353CBC | H70C343DBE | H73B26QABK | H78A423DBF |
| H25A54QDBF | H25B30QABH | H25D14QDBL | H26A32QCBC | H26A56QDBE | H27A35QDBE | H29A353DBF | H70C373ABK | H73B28QABH | H78A423DBL |
| H25A54QDBL | H25B30QABH | H25D14QDBL | H26A32QDBE | H26A56QDBE | H27A35QDBF | H29A353DBF | H70C373DBE | H73B28QDBE | H78A423DBL |
| H25A54QDBL | H25B30QDBE | H25D76QDBE | H26A32QDBE | H26A56QDBF | H27A35QDBL | H29A353DBL | H70C403ABK | H73B30QABK | H78A423DBV |
| H25A56QCBC | H25B30QDBE | H25D76QDBE | H26A32QDBF | H26A56QDBF | H27A38QCBC | H29A353DBV | H70C403DBE | H73B30QDBD | H78A423DBV |
| H25A56QDBE | H25B30QDBL | H25D76QDBF | H26A32QDBF | H26A56QDBL | H27A38QDBE | H29A353DBV | H70C423DBE | H73B30QDBE | H78A473DBV |
| H25A56QDBE | H25B30QDBL | H25D76QDBF | H26A32QDBL | H26A56QDBL | H27A38QDBF | H29A403CBC | H70C423DBE | H73B32QABK | H78A473DBV |
| H25A56QDBF | H25B32QABC | H25D76QDBL | H26A32QDBL | H26A62QCBC | H27A38QDBL | H29B22UCBC | H70D104DBE | H73B32QDBE | H78A543DBF |
| H25A56QDBF | H25B32QABH | H25D76QDBL | H26A35QCBC | H26A62QDBE | H27A42QCBC | H29B24UDE | H70D124DBE | H73B35QABK | H78A543DBF |
| H25A56QDBL | H25B32QABH | H25D84QDBE | H26A35QDBE | H26A62QDBE | H27A42QDBE | H29B24UDE | H70D943DBE | H73B35QDBE | H78A543DBL |
| H25A56QDBL | H25B32QDBE | H25D84QDBE | H26A35QDBE | H26A62QDBF | H27A42QDBF | H29B26UABK | H70D943DBE | H73C383DBE | H78A543DBL |
| H25A62QCBC | H25B32QDBE | H25D84QDBF | H26A35QDBF | H26A62QDBF | H27A42QDBL | H29B26UDE | H70D943DBL | H73C403DBD | H78A543DBV |
| H25A62QDBE | H25B32QDBL | H25D84QDBF | H26A35QDBF | H26A62QDBL | H27A46QCBC | H29B26UDE | H70D943DBL | H73C403DBE | H78A543DBV |
| H25A62QDBE | H25B32QDBL | H25D84QDBL | H26A35QDBL | H26A62QDBL | H27A46QDBE | H29B28UABK | H70R104DBE | H73C423DBD | H79B22UDE |
| H25A62QDBF | H25B33EABC | H25D84QDBL | H26A35QDBL | H26A68QDBE | H27A46QDBF | H29B28UDE | H70R124DBE | H73C423DBE | H79B24UABK |
| H25A62QDBF | H25B33EDBE | H25D92QDBE | H26A38QCBC | H26A68QDBE | H27A46QDBL | H29B28UDE | H70R453ABK | H73C453ABK | H79B24UDE |
| H25A62QDBL | H25B33EDBE | H25D92QDBE | H26A38QDBE | H26A68QDBF | H27A50QCBC | H29B30UABK | H70R453DBE | H73C453DBD | H79B26UABK |
| H25A62QDBL | H25B33EDBL | H25D92QDBF | H26A38QDBE | H26A68QDBF | H27A50QDBE | H29B30UDE | H70R483DBE | H73C453DBE | H79B26UDE |
| H25B15QABC | H25B33EDBL | H25D92QDBF | H26A38QDBF | H26A68QDBL | H27A50QDBF | H29B30UDE | H70R583ABK | H73C473ABK | H79B28UABK |
| H25B17QABC | H25B34EABC | H25D92QDBL | H26A38QDBF | H26A68QDBL | H27A50QDBL | H29B32UABK | H70R583DBE | H73C473DBD | H79B28UDE |
| H25B17QABH | H25B35QABC | H25D92QDBL | H26A38QDBL | H26A72QDBE | H27A54QCBC | H29B32UDE | H70R603ABK | H73C473DBE | H79B30UABK |
| H25B17QABH | H25B35QABH | H25D99QDBE | H26A38QDBL | H26A72QDBE | H27A54QDBE | H29B32UDE | H70R603DBE | H73D543DBE | H79B30UDE |
| H25B18QABC | H25B35QABH | H25D99QDBE | H26A42QCBC | H26A72QDBF | H27A54QDBF | H29B33UABK | H70R683DBE | H73D583DBE | H79B32UABK |
| H25B18QABH | H25B35QDBE | H25D99QDBF | H26A42QDBE | H26A72QDBF | H27A54QDBL | H29B33UDE | H70R723DBE | H73R483DBV | H79B32UDE |
| H25B18QABH | H25B35QDBE | H25D99QDBF | H26A42QDBE | H26A72QDBL | H27A56QCBC | H29B33UDE | H70R753DBE | H73R513ABC | H79B33UABK |
| H25B20QABC | H25B35QDBF | H25D99QDBL | H26A42QDBF | H26A72QDBL | H27A56QDBE | H29B35UABK | H70R813DBE | H73R513DBD | H79B33UDE |
| H25B22QABC | H25B35QDBF | H25D99QDBL | H26A42QDBF | H26B | | | | | |



Product Marketing Bulletin

Subject: **KICKSTART** aftermarket start assist

KICKSTART start assist is acceptable for use as a field installed start assist for Bristol Compressors products. The user **must verify** that the start capacitor included in the integrated start kit package **has the proper voltage rating** as listed below.

Capacitors rated 330 volts may be used where 250 volts is specified. All KS8 and TO-5 kits made after September 2006 are rated for 330 volts.

The kit has only **2 wires** for installation in parallel with the system run capacitor.

For maximum service life, Bristol Compressors recommends the specified **3-wire** start capacitor and relay combination noted on each individual compressor model specification sheet.

| <u>KICKSTART (60 Hz)</u> | <u>Start Capacitor (Type II)</u> | <u>Bristol Model (230/208V- 60Hz)</u> |
|--------------------------|----------------------------------|---|
| KS8 (250 volts) | 108-130 μ Fd/250V | H*3B, H*4B, H2*C H20J 15 thru 25 H21J 14 thru 25 |
| KS8 (330 volts) | 108-130 μ Fd/330V | H2EB 153 thru 223 |
| TO-5 (250 volts) | 189-227 μ Fd/250V | H*3A, H*4A, H*3B H*4B, H*5B, H*6B H7*B H29B H20J 27, 29 |

For additional information, please go to
www.bristolcompressors.com or call (276) 466-4121

| <u>KICKSTART (60 Hz)</u> | <u>Start Capacitor (Type II)</u> | <u>Bristol Model (230/208V- 60Hz)</u> |
|--------------------------|----------------------------------|--|
| TO-5 (330 volts) | 189-227 μ Fd/330V | H2*J 27 thru 38 H80J 18 thru 22 H81J 18 thru 22 H82J EXCEPT 42 thru 46 H2EB 263 thru 323 H2EB 18S thru 32S |
| KS1 | 270-324 μ Fd/330V | H*5A, H*6A, H*7A H*8A, H*9A, H89B H2*J 40 thru 44 H80J 29 thru 38 H81J 28 thru 38 H82J 42 thru 46 |

(TO-5 may be substituted for KS8)

For TS (Twin Single) products, please refer to individual compressor model specification

Use of any other start components or devices is not recommended and **will void any warranty claims.**

For additional information, please go to
www.bristolcompressors.com or call (276) 466-4121